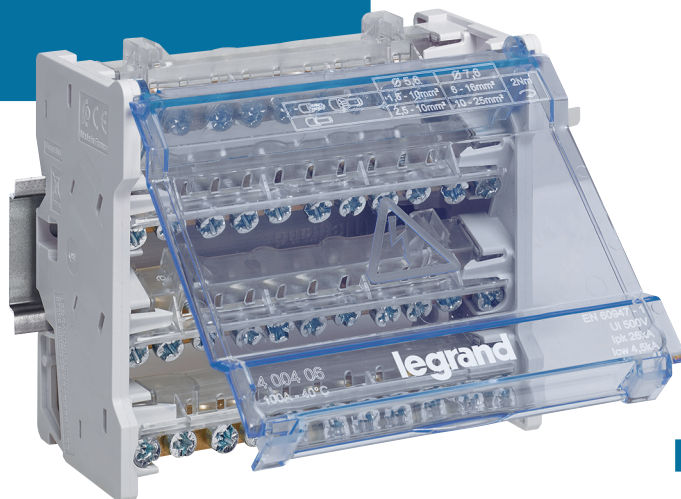


# STAGGERED BARS MODULAR DISTRIBUTION BLOCKS FROM 40 TO 160 A



A REDESIGNED,  
EASIER WIRING OFFER!



GLOBAL SPECIALIST  
IN ELECTRICAL AND DIGITAL BUILDING INFRASTRUCTURES

 **legrand**<sup>®</sup>



## OUR INDUSTRIAL **EXPERTISE** SERVING YOUR PROJECTS

Because of its industrial presence, the Legrand Group is aware of the production issues and needs inherent in your projects: efficiency, reliability, durability, competitiveness, etc.

Our multi-brand teams, with recognised expertise, play their part in responding to these challenges by creating dedicated, high-performance solutions that contribute to the success of all your installations, no matter how demanding!



## **IMPROVED EASE OF USE** AT THE HEART OF YOUR INSTALLATIONS

The electrical distribution systems that underpin all your projects are integral to performance and continuity of service. Key components of these systems, staggered bars modular distribution blocks need to be easier to install for even better efficiency.

We have therefore redesigned our offer, not just to make **your wiring operations quicker and easier**, but also so you can improve the quality and performance of your installations!

### **+ POINT**

OUR DISTRIBUTION BLOCKS CAN BE **INSTALLED IN ALL**  
**OUR RANGES** OF CABINETS AND ENCLOSURES!



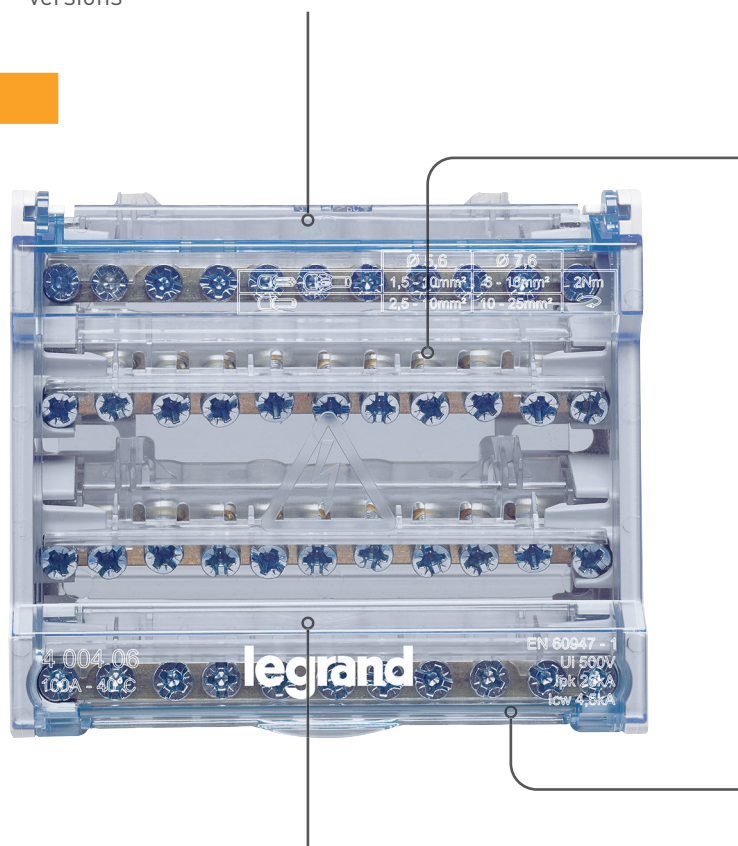
Atlantic Metal, Marina and Altis Metal industrial enclosures

XL<sup>3</sup> distribution enclosures

# Changes that make a difference!

## AN EXPANDED RANGE

- **12 catalogue numbers** rather than 9 for even more choice and relevance
- **3 new 100 A products** for dedicated 6 and 8-module versions

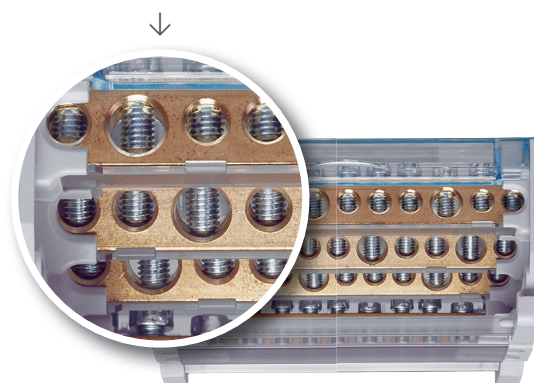


## BETTER PERFORMANCE

- **Enhanced electrical performance:** Better Ipk, with 30 to 45% improvement on most distribution blocks
- **Improved mechanical performance:**
  - **robust design:** offers the advantage of the distribution block behaving correctly if the cables are tugged
  - **extra fixing strength:** ensures the distribution block holds on the rail better
  - **innovative system:** prevents accidental unscrewing of unused connections

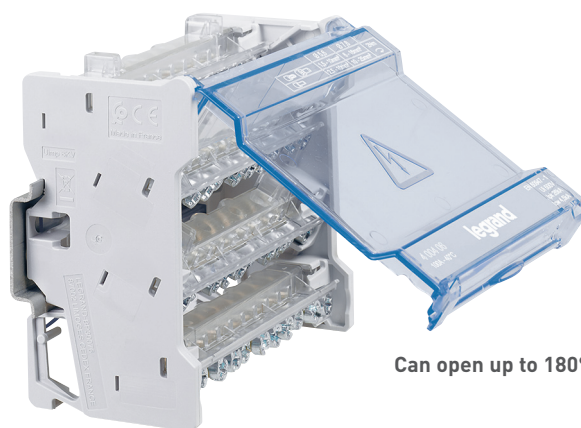
## IMPROVED ERGONOMICS

- **Wiring space increased by 10%** for easier access and hence quicker wiring
- **Wiring holes 3% larger** and bars with chamfers for easier connection
- **Wiring holes sufficiently far apart** to allow unencumbered use of standard ferrules on the insulating bezels
- **Redesigned bars** with offset incoming (internal) and outgoing lines with a large cross-section to avoid large cables being laid on top of one another



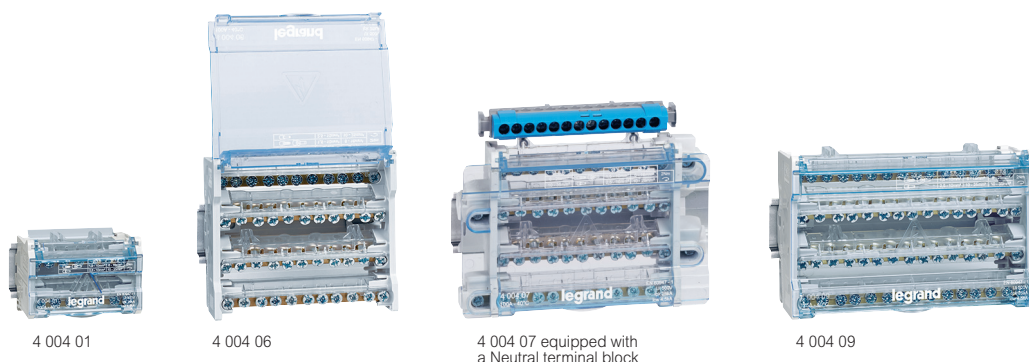
## SIMPLIFIED ACCESS

**Pivoting cover** which can hold in the open position, or lift off completely, for easier moving around during installation



Can open up to 180°

# Modular distribution blocks



Conform to standard EN 60947-1  
Connection with or without Starfix ferrules

Pack	Cat. Nos	Staggered bars distribution blocks		
		With removable pivoting cover (except for Cat.No 4 004 11) Quick and easy installation: - optimized wiring space and orientation of the bars - connections sized and positioned for ease of connection Transparent insulating protection between each bar and at the back of the distribution block Integrated system preventing accidental unscrewing of unused connections Fixing on  rail Option of adding an IP 2X terminal block to increase the number of Earth or Neutral outgoing lines		
		<b>2-pole</b>		
			Connections per bar	
		le (A)	rigid (mm <sup>2</sup> )	flexible (mm <sup>2</sup> ) with or without ferrule
5	4 004 00	40	Incomer: 2.5 to 10 12 outgoing lines: 2 x 2.5 to 10 10 x 1.5 to 6	Incomer: 1.5 to 10 12 outgoing lines: 2 x 1.5 to 10 10 x 0.75 to 4
10	4 004 01	100	Incomer: 10 to 25 6 outgoing lines: 1 x 10 to 25 5 x 2.5 to 10	Incomer: 6 to 16 6 outgoing lines: 1 x 6 to 16 5 x 1.5 to 10
5	4 004 02	100	Incomer: 10 to 25 10 outgoing lines: 2 x 10 to 25 8 x 2.5 to 10	Incomer: 6 to 16 10 outgoing lines: 2 x 6 to 16 8 x 1.5 to 10
5	4 004 03	125	Incomer: 10 to 35 14 outgoing lines: 3 x 10 to 25 11 x 2.5 to 10	Incomer: 6 to 25 14 outgoing lines: 3 x 6 to 16 11 x 1.5 to 10

Pack	Cat. Nos	Staggered bars distribution blocks (continued)		
		<b>4-pole</b>		
			Connections per bar	
		le (A)	rigid (mm <sup>2</sup> )	flexible (mm <sup>2</sup> ) with or without ferrule
6	4 004 04	40	Incomer: 2.5 to 10 12 outgoing lines: 2 x 2.5 to 10 10 x 1.5 to 6	Incomer: 1.5 to 10 12 outgoing lines: 2 x 1.5 to 10 10 x 0.75 to 4
12	4 004 05	100	Incomer: 10 to 25 6 outgoing lines: 1 x 10 to 25 5 x 2.5 to 10	Incomer: 6 to 16 6 outgoing lines: 1 x 6 to 16 5 x 1.5 to 10
6	4 004 06	100	Incomer: 10 to 25 10 outgoing lines: 2 x 10 to 25 8 x 2.5 to 10	Incomer: 6 to 16 10 outgoing lines: 2 x 6 to 16 8 x 1.5 to 10
6	4 004 07 <sup>1</sup>	100	Incomer: 10 to 35 11 outgoing lines: 3 x 10 to 25 8 x 2.5 to 10	Incomer: 6 to 25 11 outgoing lines: 3 x 6 to 16 8 x 1.5 to 10
6	4 004 08	125	Incomer: 10 to 35 10 outgoing lines: 3 x 10 to 25 7 x 2.5 to 10	Incomer: 6 to 25 10 outgoing lines: 3 x 6 to 16 7 x 1.5 to 10
6	4 004 09	125	Incomer: 10 to 35 14 outgoing lines: 3 x 10 to 25 11 x 2.5 to 10	Incomer: 6 to 25 14 outgoing lines: 3 x 6 to 16 11 x 1.5 to 10
1	4 004 10 <sup>1</sup>	125	Incomer: 16 to 35 15 outgoing lines: 2 x 10 to 35 1 x 10 to 25 12 x 2.5 to 10	Incomer: 16 to 35 <sup>(2)</sup> 15 outgoing lines: 2 x 6 to 25 1 x 6 to 16 12 x 1.5 to 10
1	4 004 11 <sup>1</sup>	160	Incomer: 35 to 70 14 outgoing lines: 2 x 10 to 35 4 x 10 to 25 8 x 2.5 to 10	Incomer: 35 to 70 14 outgoing lines: 1 x 10 to 25 <sup>(3)</sup> 1 x 10 to 16 4 x 6 to 16 8 x 1.5 to 10

1: with external incomers  
2: with ferrule only  
3: ferrules supplied for 25 mm<sup>2</sup> connection

# Modular distribution blocks

## technical characteristics

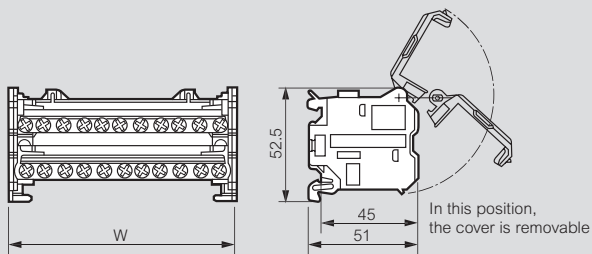
Rated operational current  $I_e$  at 40°C  
 Insulation voltage ( $U_i$ ) in accordance with EN 60947-1/IEC 60664-1: 500 V  
 Impulse voltage ( $U_{imp}$ ): 8 kV - degree of pollution: 3  
 Use in DC: no derating  
 Self-extinguishing 960°C on the mountings for live parts

### Staggered bars distribution blocks

Distribution block Cat.No	$I_{pk}/\text{peak } I_{sc} - 60 \text{ ms (kA)}$	$I_{cw} - 1 \text{ s (kA)}$
4 004 00 to 4 004 03	26	4.5
4 004 04 to 4 004 09		
4 004 10	20	4.5
4 004 11	27	8.4

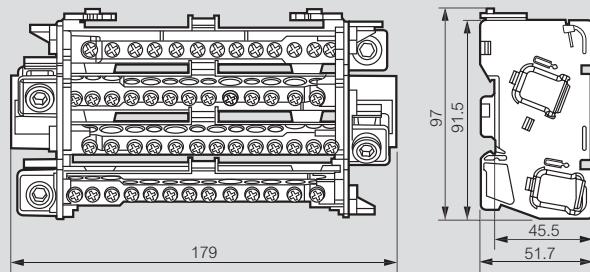
### Dimensions - Staggered bars distribution blocks

Cat.Nos 4 004 00/01/02/03

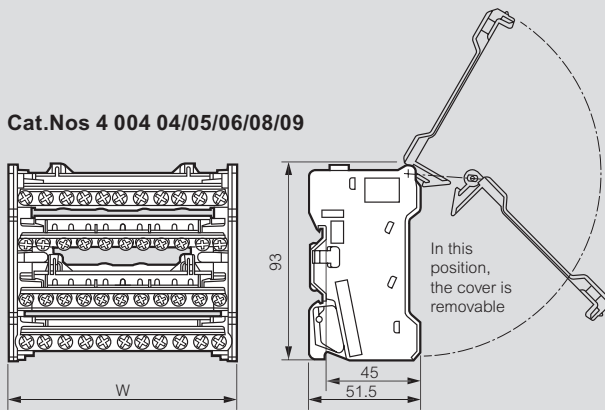


Cat.No	W (mm)
4 004 00	106
4 004 01	70.5
4 004 02	106
4 004 03	143

Cat.No 4 004 11

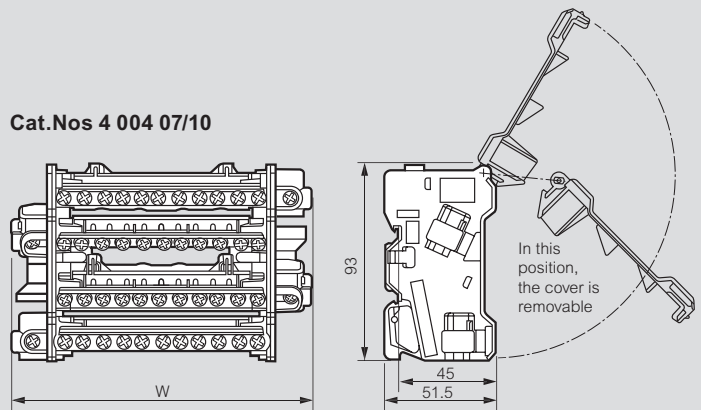


Cat.Nos 4 004 04/05/06/08/09



Cat.No	W (mm)
4 004 04	106
4 004 05	70.5
4 004 06	106
4 004 08	106
4 004 09	143

Cat.Nos 4 004 07/10



Cat. No	W (mm)
4 004 07	139
4 004 10	176



FOLLOW  
US ON

- [legrand.com](http://legrand.com)
-  [youtube.com/user/legrand](https://youtube.com/user/legrand)
-  [facebook.com/Legrand](https://facebook.com/Legrand)
-  [twitter.com/Legrand](https://twitter.com/Legrand)
-  [pinterest.com/legrandgroup](https://pinterest.com/legrandgroup)
-  [instagram.com/legrandnews](https://instagram.com/legrandnews)



**Headquarters**  
128, avenue de Lattre de Tassigny  
87045 Limoges Cedex  
France  
Tel: + 33 (0) 5 55 06 87 87  
Fax: + 33 (0) 5 55 06 88 88