

CATALOGUE

ZF31

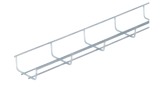


WIRE MESH CABLE TRAYS AND ACCESSORIES
FOR CABLE ROUTING, INSTALLATION AND BRACKETING



ZF31 WIRE MESH CABLE TRAYS AND ACCESSORIES

ZF31 wire mesh cable tray lengths



P. 8
Height 25 mm

Coupling, covers and dividers

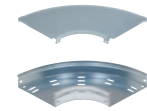


P. 11
CE couplers,
nuts and bolts

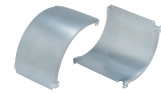


P. 13
Quick couplers
ZF-Lock

Routing accessories



P. 16
Perforated sheet
metal 90° bends
and covers



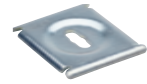
P. 22
Covers for
risers

Wall mounting brackets



P. 27
CM50 and CM50 XL
brackets for medium
and light loads

Ceiling mounting accessories



P. 36
CE 35 and CE 40
hold down clamps

Accessories for mounting on floor and on metal supports



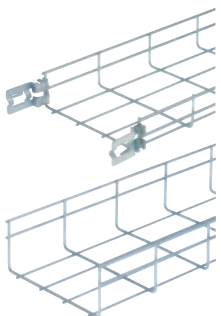
P. 39
R15 to R50 height
spacers for floor
mounting

Supports and wiring accessories



P. 41
Supports for lighting
fixtures and junction
boxes

DISCOVER THE PRODUCTS



ZF31 wire mesh cable tray lengths

Height 50 mm with FASCLIC
couplers (p. 8)
and 75 mm height (p. 10)



Coupling

Screw couplers (p. 11)
and ZF-Lock quick
couplers (p. 13)



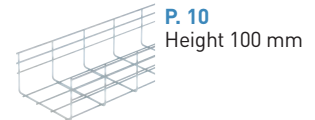
P. 8
Height 50 mm



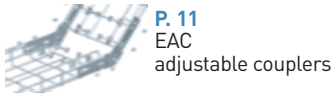
P. 9
Height 50 mm with FASCLIC couplers and light duty



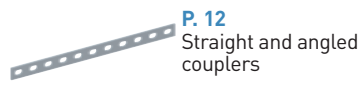
P. 10
Height 75 mm



P. 10
Height 100 mm



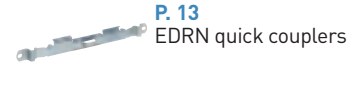
P. 11
EAC adjustable couplers



P. 12
Straight and angled couplers



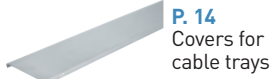
P. 12
Kits for connecting ZF31 lengths to routing accessories



P. 13
EDRN quick couplers



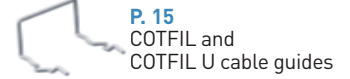
P. 13
CEFAS quick base couplers



P. 14
Covers for cable trays



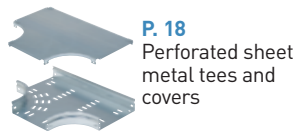
P. 14
Dividers



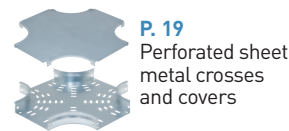
P. 15
COTFIL and COTFIL U cable guides



P. 17
Perforated sheet metal 45° bends and covers



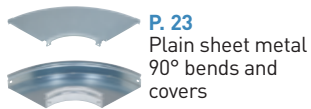
P. 18
Perforated sheet metal tees and covers



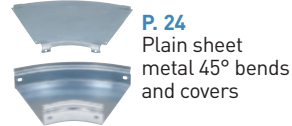
P. 19
Perforated sheet metal crosses and covers



P. 20
Plain sheet metal risers



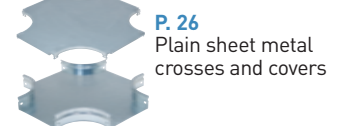
P. 23
Plain sheet metal 90° bends and covers



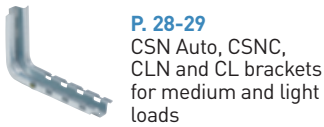
P. 24
Plain sheet metal 45° bends and covers



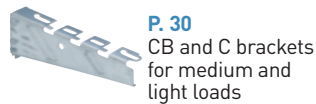
P. 25
Plain sheet metal tees and covers



P. 26
Plain sheet metal crosses and covers



P. 28-29
CSN Auto, CSNC, CLN and CL brackets for medium and light loads



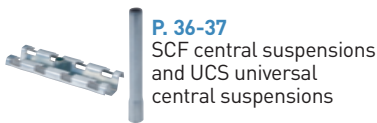
P. 30
CB and C brackets for medium and light loads



P. 32-33
C21S, CC21S, C41S and C41D brackets for heavy loads



P. 35
Supports for edgewise mounting or upward vertical runs



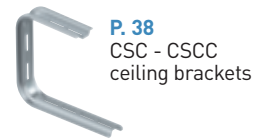
P. 36-37
SCF central suspensions and UCS universal central suspensions



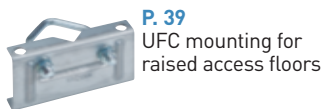
P. 37
SAS and AS suspension hooks



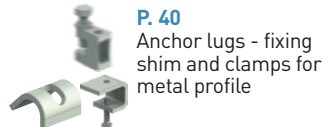
P. 38
CCP21S ceiling brackets



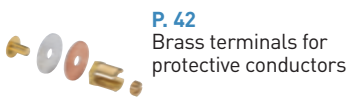
P. 38
CSC - CSCC ceiling brackets



P. 39
UFC mounting for raised access floors



P. 40
Anchor lugs - fixing shim and clamps for metal profile



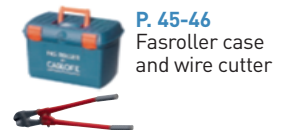
P. 42
Brass terminals for protective conductors



P. 43
Equipotential connectors



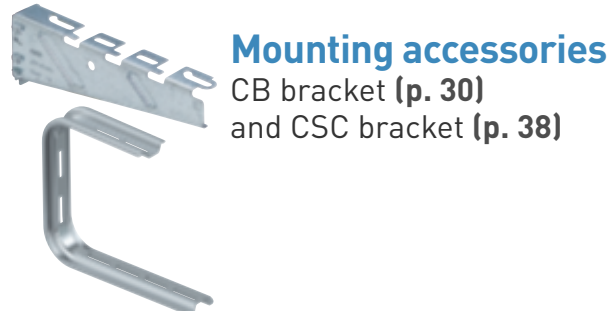
P. 44
Multifix plates



P. 45-46
Fasroller case and wire cutter



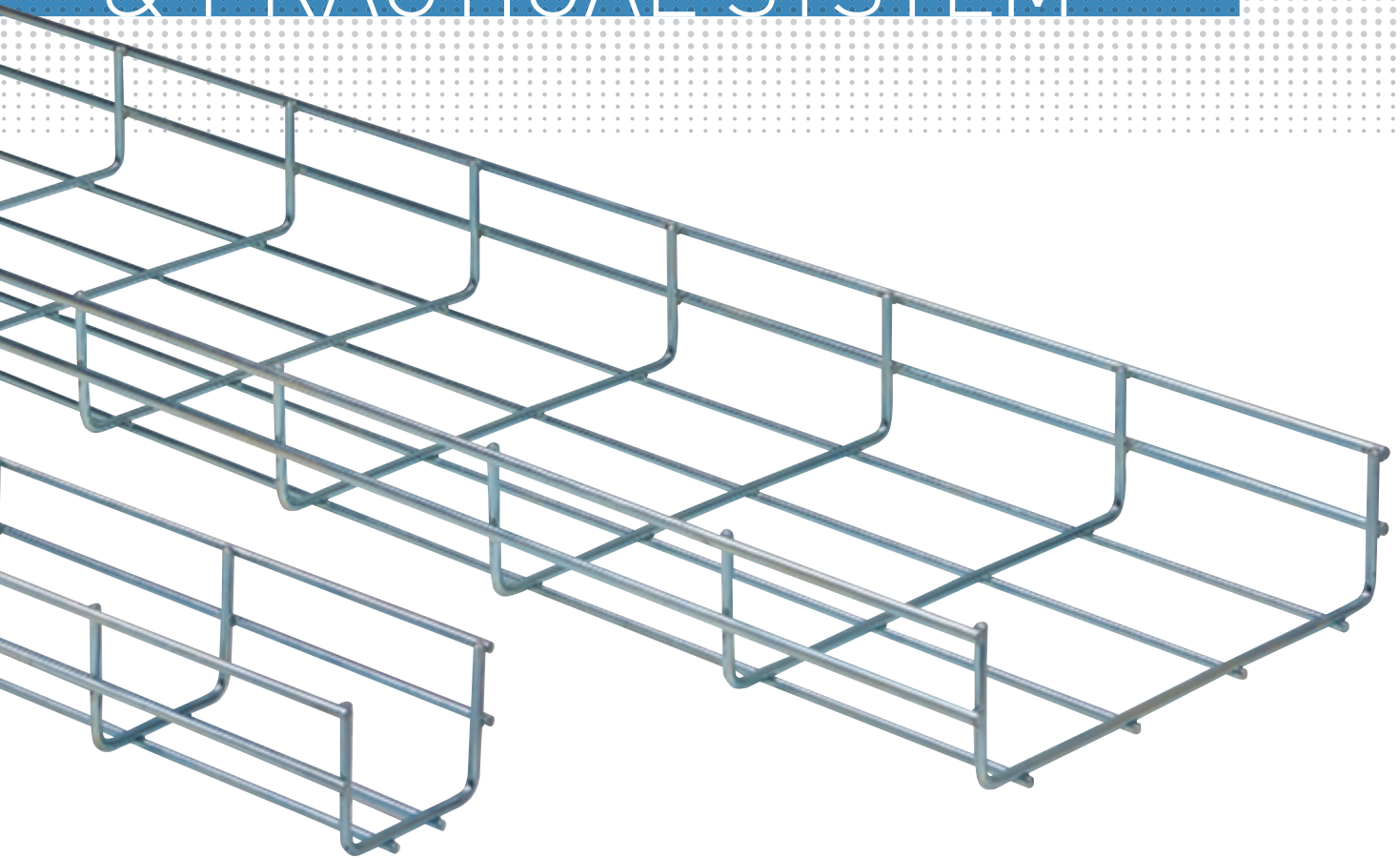
Routing accessories
Plain sheet metal 90° flat bends (p. 23)



Mounting accessories
CB bracket (p. 30) and CSC bracket (p. 38)

ZF31

A COMPLETE & PRACTICAL SYSTEM



A range available in 4 different heights in order to form a system compatible with P31 metal cable trays.

The mechanical characteristics of the range ensure high reliability and robustness while transporting cables.

The wide range of installation accessories and finishes offers the highest level of flexibility while implementing different configurations.

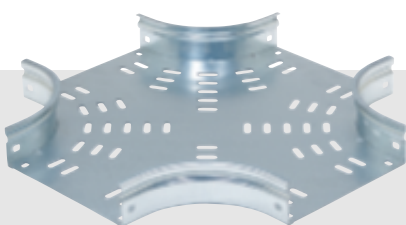


A FLEXIBLE SYSTEM

The ZF31 wire cable tray was designed to be fully compatible with:

P31 CABLE ROUTING ACCESSORIES AND COVERS

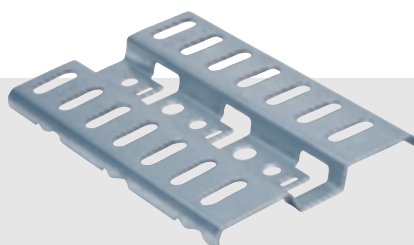
The size of the ZF31 wire mesh cable trays makes them compatible with the P31 routing accessories and covers when used with suitable joint elements.



P31 FLAT CROSS IN PERFORATED METAL SHEET

CABLOFIL RANGE INSTALLATION ACCESSORIES

The ZF31 wire cable tray was developed to integrate the Cablofil installation accessories, making the installation more functional and simplifying the management of the said articles.



MULTIFIX PLATE AVAILABLE IN THE CABLOFIL RANGE

THE DIFFERENT SUPPORT SYSTEMS AVAILABLE IN THE GROUP OFFER

The ZF31 range is compatible with all support systems available in the offer ; the specific brackets specially used for wire mesh trays simplify and speed up its installation.



CSNC BRACKET - CAN BE FIXED ON THE CEILING OR ON A HANGER

ZF31

A QUICK & EASY TO INSTALL SYSTEM



ENHANCED PROTECTION

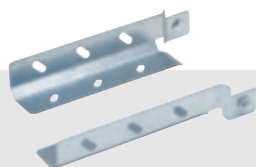
The covers are the same resistant and removable ones used for metal sheet P31 cable trays.



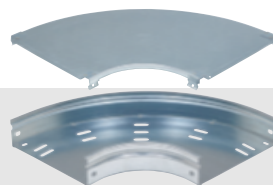
P31 COVER

THE FREEDOM TO CHOOSE THE RIGHT CONFIGURATION

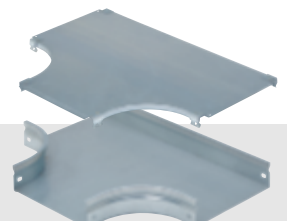
The ZF31/P31 joining accessories are used to connect ZF31 lengths to P31 routing accessories.



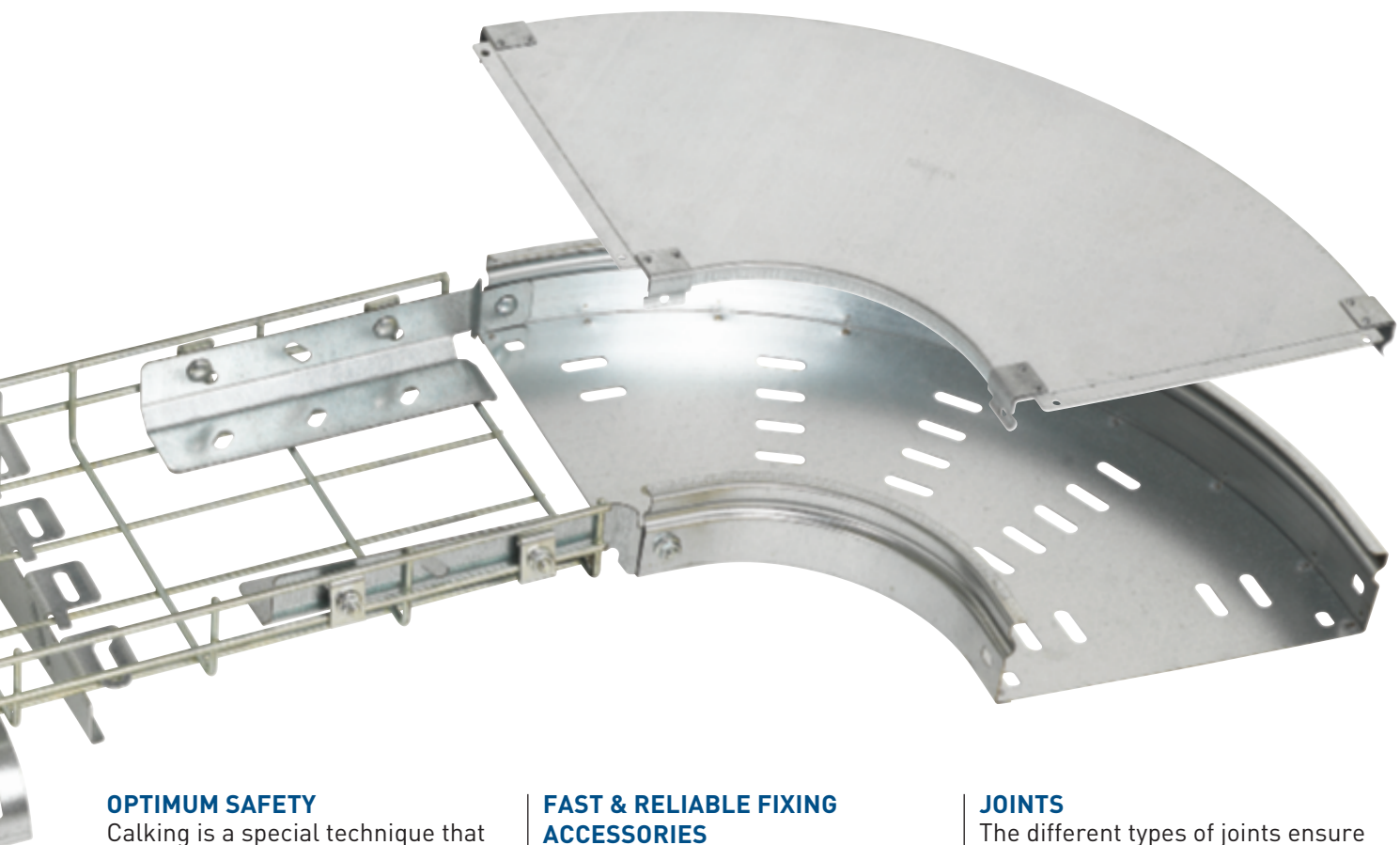
ZF31/P31 JOINING ACCESSORY



PERFORATED SHEET 90° FLAT BEND & COVER



BLIND SHEET T BRANCH & COVER



OPTIMUM SAFETY

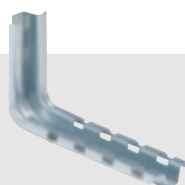
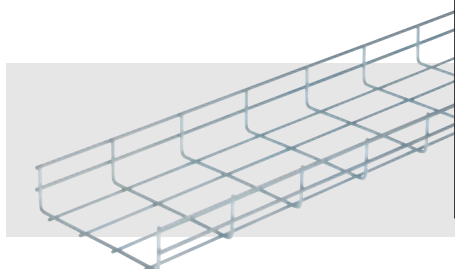
Calking is a special technique that makes the ends of the wire free from defects, ensuring maximum security when the electric cables are put into operation.

FAST & RELIABLE FIXING ACCESSORIES

The fixing accessories range is enriched with dedicated wire mesh cable tray support systems, which are specially designed for fast and simplified installation.

JOINTS

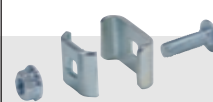
The different types of joints ensure excellent mechanical performance and electrical continuity.



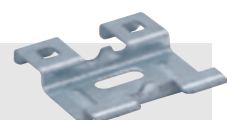
CSN AUTO BRACKET



CB BRACKET



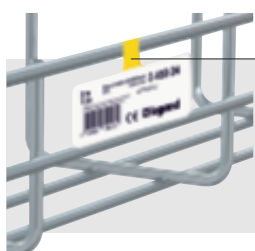
ASSTR KIT



CEFAS SUPPORT

EASY IDENTIFICATION

New labels with specific colour for the different finishes of the straight elements:



- EZ
- HDG
- 304L

GUARANTEED QUALITY

The GAMMA-P ZF31 wire mesh cable tray range has obtained the IMQ quality certification and complies with the IEC/EN 61537 standard (CA02.01132).

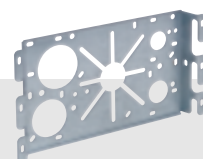


ACCESSORIES

The range of accessories is designed to meet all the installation requirements of the client.



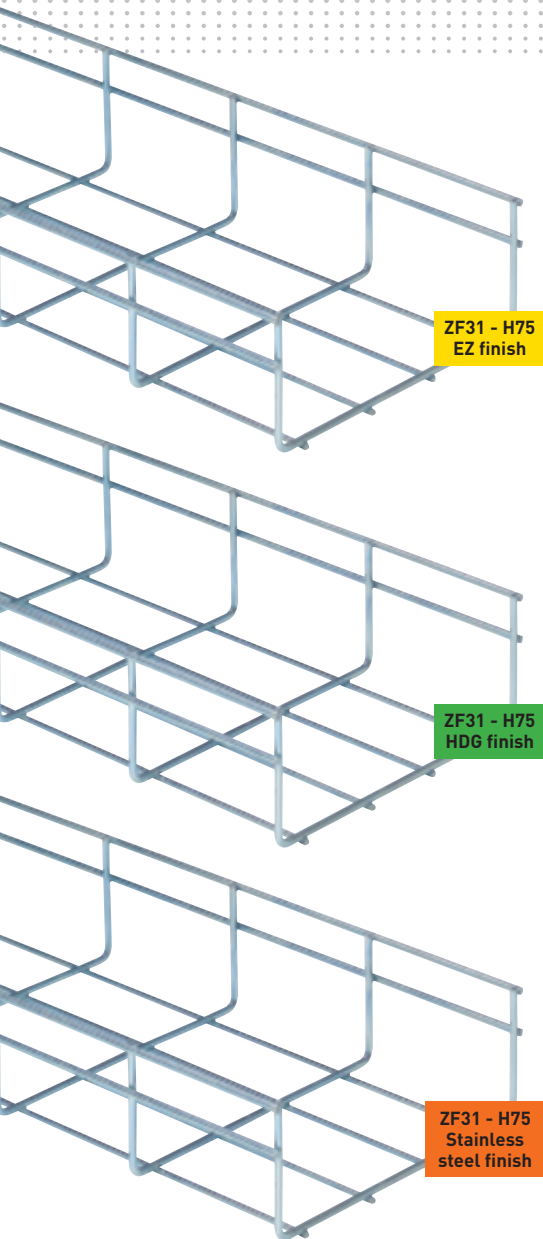
CM50XL WALL
FIXING SUPPORT



CM50XXL FIXING SUPPORT
FOR JUNCTION BOXES

ZF31

DIFFERENT FINISHES & STANDARD COMPLIANCE



SELECTION OF FINISHES

Zinc electroplating (EZ)



Complies with the EN/ISO 2081 standard. The straight elements are passivated according to the RoHS directive.

This type of finish is suitable for internal installations where the environment is not particularly aggressive.

Hot dip galvanized after manufacturing (HDG)

Complies with EN/ISO 1461 standard. This type of finish is suitable for outdoor installations in urban atmosphere.

AISI 304L stainless steel

Complies with the EN 10088-3 standard. The straight elements are pickled and passivated. This type of finish is suitable for installations in chemical, or food industries.

WIDTH (mm)	50			75			100		
	EZ	HDG	304L	EZ	HDG	304L	EZ	HDG	304L
HEIGHT (mm)	25	•	•	•	•	•	•	•	•
	50	•	•	•	•	•	•	•	•
	75	-	-	-	•	•	•	•	•
	100	-	-	-	-	-	-	•	•

CLASSIFICATION ACCORDING TO THE STANDARD & RESISTANCE TO BENDING

FROM STORAGE TO INSTALLATION

Electrical continuity

The ZF31 wire mesh cable tray range ensures electrical continuity according to the IEC/EN 61537 standard (resistance ≤ 5 m Ω per meter without joint elements; resistance ≤ 50 m Ω with joint elements). The tests were carried out with 25 A current.

Operating temperatures

-20 to +90°C (according to the IEC/EN 61537 standard).

Perforation

According to the IEC/EN 61537 standard, the ZF31 wire mesh cable tray range is classified as D with perforation index $>30\%$ (% space/material of only the base); as Z with a free base index $> 90\%$.

Impact resistance

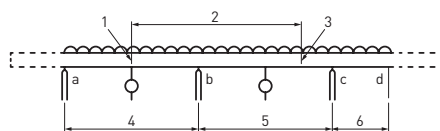
Verified up to a value of 20 joules to guarantee mechanical performance.

Fixing the track accessories

Fixing is needed in areas where there is a change in direction.

Resistance to the bending

The bending resistance test was executed according to the IEC/EN 61537 standard, Test Type 2, Figure 2b.



Legend

- 1 For testing purposes, an **a-b** span joint can be required since the **b-c** span joint must always be in the mid span position
- 2 Standard length of the product; it can be reduced for testing purposes only if the joint is in the **c-d** range or within 25% of the length of the support span **c**
- 3 Joint in the middle of the **b-c** span
- 4 End span = L or X
- 5 Middle span = L
- 6 Range = $0,4 L$
- a, b, c** Position of the supports
- d** Load bearing ends
- L** Distance between the supports according to lengths in compliance with the manufacturer's declarations

All the articles are provided in standard packaging. The materials are not perishable if stored in their original packing, in a dry and temperate environment, until installation. It is recommended that the articles be handled with care and the use of protective gloves is advised during installation.

The unit must be connected and installed by qualified personnel according to the existing requirements and in compliance with the current laws. Legrand disclaims all responsibility in case of any storage, transport and use that do not comply with the above mentioned instructions and warnings.

Safety working load [n/m]

HEIGHT (mm)	25	50	75	100
50	62	104	-	-
75	112	137	158	-
100	123	147	164	265
150	135	167	217	-
200	194	225	286	409
300	204	296	388	473
400	-	392	593	695
500	-	429	603	756
600	-	449	613	797

Distance between supports = 2 000 mm

150			200			300			400		
EZ	HDG	304L	EZ	HDG	304L	EZ	HDG	304L	EZ	HDG	304L
•	•	•	•	•	•	•	•	•	•	•	•
•	•	•	•	•	•	•	•	•	•	•	•
•	•	•	•	•	•	•	•	•	•	•	•
-	-	-	•	•	•	•	•	•	•	•	•

EZ

Zinc electroplating after manufacturing

HDG

Hot dip galvanization after manufacturing

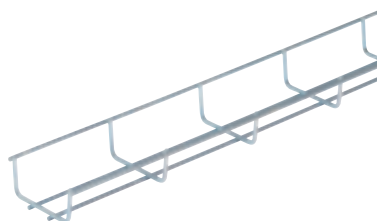
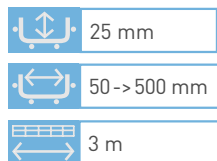
304L

Stainless Steel AISI 304

ZF31 wire mesh cable trays

heights 25 and 50 mm

ZF31 Height 25 mm



3 480 01

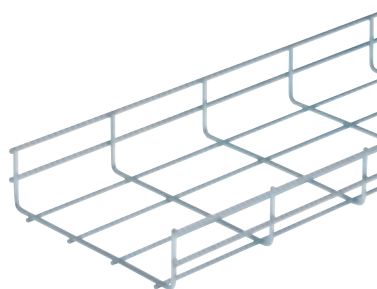
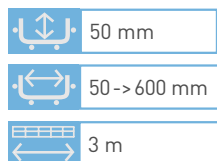
Straight lengths, length 2994 mm

The wires of the "cradle" part are chamfered to avoid any risk of damage when mounting and to protect the cables when they are being pulled

Pack	Cat.Nos			Designation	Width (mm)
	EZ	HDC	304L		
1	3 480 00	3 481 50	3 480 50	ZF31 25/50	50
1	3 480 01	3 481 51	3 480 51	ZF31 25/75	75
1	3 480 02	3 481 52	3 480 52	ZF31 25/100	100
1	3 480 03	3 481 53	3 480 53	ZF31 25/150	150
1	3 480 04	3 481 54	3 480 54	ZF31 25/200	200
1	3 480 05	3 481 55	3 480 55	ZF31 25/300	300
1	3 480 06	3 481 56	3 480 56	ZF31 25/400 ¹	400
1	3 480 07	3 481 57	3 480 57	ZF31 25/500 ¹	500

1: Dimensions available on request

ZF31 Height 50 mm



3 480 14

Straight lengths, length 2994 mm

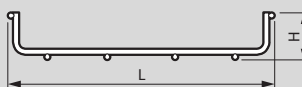
The wires of the "cradle" part are chamfered to avoid any risk of damage when mounting and to protect the cables when they are being pulled

Pack	Cat.Nos			Designation	Width (mm)
	EZ	HDC	304L		
1	3 480 10	3 481 60	3 480 60	ZF31 50/50	50
1	3 480 11	3 481 61	3 480 61	ZF31 50/75	75
1	3 480 12	3 481 62	3 480 62	ZF31 50/100	100
1	3 480 13	3 481 63	3 480 63	ZF31 50/150	150
1	3 480 14	3 481 64	3 480 64	ZF31 50/200	200
1	3 480 15	3 481 65	3 480 65	ZF31 50/300	300
1	3 480 16	3 481 66	3 480 66	ZF31 50/400	400
1	3 480 17	3 481 67	3 480 67	ZF31 50/500	500
1	3 480 18	3 481 68	3 480 68	ZF31 50/600	600

ZF31 wire mesh cable trays

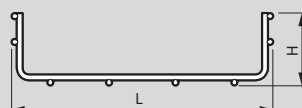
heights 25 and 50 mm - technical characteristics

ZF31 Height 25 mm



Cat.Nos	H (mm)	L (mm)	Capacity (mm ²)	Weight (kg/m)
3 480 00/50 3 481 50	33.8	47	917	0.406
3 480 01/51 3 481 51	33.8	74	1638	0.459
3 480 02/52 3 481 52	33.8	97	2266	0.482
3 480 03/53 3 481 53	33.8	147	3631	0.609
3 480 04/54 3 481 54	33.8	197	4851	0.849
3 480 05/55 3 481 55	33.8	297	7472	1.263
3 480 06/56 3 481 56	33.8	397	10152	1.545
3 480 07/57 3 481 57	33.8	497	12832	1.827

ZF31 Height 50 mm



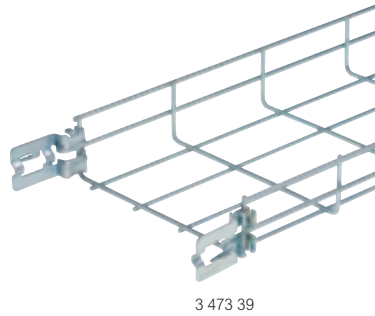
Cat.Nos	H (mm)	L (mm)	Capacity (mm ²)	Weight (kg/m)
3 480 10/60 3 481 60	53.1	47	1574	0.602
3 480 11/61 3 481 61	53.1	74	2804	0.655
3 480 12/62 3 481 62	53.1	97	3876	0.677
3 480 13/63 3 481 63	53.1	147	6206	0.805
3 480 14/64 3 481 64	53.1	197	8489	1.062
3 480 15/65 3 481 65	53.1	297	12962	1.416
3 480 16/66 3 481 66	53.1	397	17470	1.964
3 480 17/67 3 481 67	55	497	22080	2.570
3 480 18/68 3 481 68	55	597	26690	2.879

ZF31 wire mesh cable trays

height 50 mm FASCLIC and light duty

ZF31 Height 50 mm with FASCLIC couplers

	50 mm
	75 -> 500 mm
	3 m



3 473 39

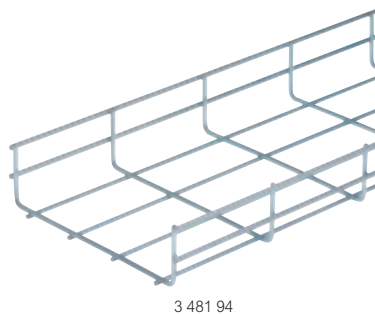
Straight lengths, length 2994 mm

The wires of the "cradle" part are chamfered to avoid any risk of damage when mounting and to protect the cables when they are being pulled

Pack	Cat.Nos		Designation	Width (mm)
	EZ	HDG		
1	3 473 36	3 473 19	ZF31 FZF 50/75	75
1	3 473 37	3 473 20	ZF31 FZF 50/100	100
1	3 473 38	3 473 21	ZF31 FZF 50/150	150
1	3 473 39	3 473 22	ZF31 FZF 50/200	200
1	3 473 40	3 473 23	ZF31 FZF 50/300	300
1	3 473 41	3 473 24	ZF31 FZF 50/400	400
1	3 473 42	3 473 25	ZF31 FZF 50/500	500

ZF31 Height 50 mm light duty

	50 mm
	50 -> 600 mm
	3 m



3 481 94

Straight lengths, length 2994 mm

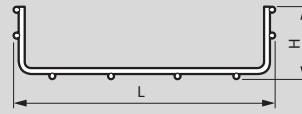
The wires of the "cradle" part are chamfered to avoid any risk of damage when mounting and to protect the cables when they are being pulled

Pack	Cat.Nos	Designation	Width (mm)
	PG		
1	3 481 90	ZF LD 50/50	50
1	3 481 91	ZF LD 50/75	75
1	3 481 92	ZF LD 50/100	100
1	3 481 93	ZF LD 50/150	150
1	3 481 94	ZF LD 50/200	200
1	3 481 95	ZF LD 50/300	300
1	3 481 96	ZF LD 50/400	400
1	3 481 97	ZF LD 50/500	500
1	3 481 98	ZF LD 50/600	600

ZF31 wire mesh cable trays

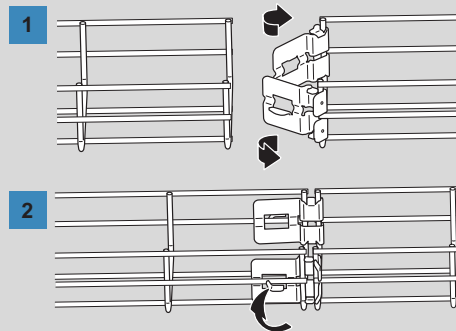
height 50 mm FASCLIC and light duty - technical characteristics

ZF31 Height 50 mm with FASCLIC couplers

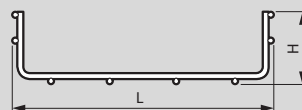


Cat.Nos	H (mm)	L (mm)	Capacity (mm ²)	Weight (kg/m)
3 473 35	53.1	47	1574	0.612
3 473 36	53.1	74	2804	0.665
3 473 37	53.1	97	3876	0.687
3 473 38	53.1	147	6206	0.815
3 473 39	53.1	197	8489	1.072
3 473 40	53.1	297	12962	1.426
3 473 41	53.1	397	17470	1.974
3 473 42	55	497	22080	2.580

Mounting principle



ZF31 Height 50 mm light duty



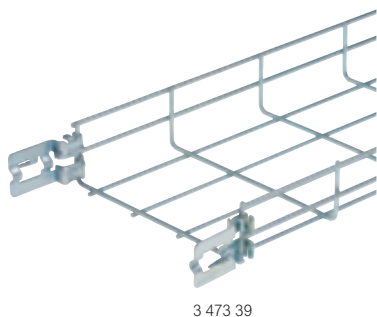
Cat.Nos	H (mm)	L (mm)	Capacity (mm ²)	Weight (kg/m)
3 481 90	52.5	47	1630	0.457
3 481 91	52.5	74	2888	0.483
3 481 92	52.5	97	3876	0.580
3 481 93	52.5	147	6206	0.760
3 481 94	52.5	197	8536	0.863
3 481 95	52.5	297	13054	1.071
3 481 96	53.9	397	17618	1.506
3 481 97	53.9	497	22228	1.713
3 481 98	53.9	597	26838	1.921

ZF31 wire mesh cable trays

height 50 mm FASCLIC and light duty

ZF31 Height 50 mm with FASCLIC couplers

	50 mm
	75 -> 500 mm
	3 m



3 473 39

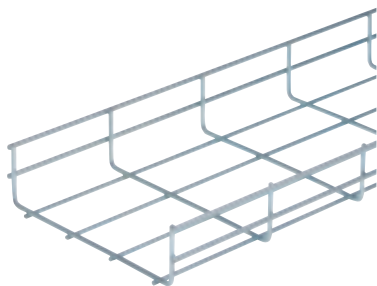
Straight lengths, length 2994 mm

The wires of the "cradle" part are chamfered to avoid any risk of damage when mounting and to protect the cables when they are being pulled

Pack	Cat.Nos		Designation	Width (mm)
	EZ	HDG		
1	3 473 36	3 473 19	ZF31 FZF 50/75	75
1	3 473 37	3 473 20	ZF31 FZF 50/100	100
1	3 473 38	3 473 21	ZF31 FZF 50/150	150
1	3 473 39	3 473 22	ZF31 FZF 50/200	200
1	3 473 40	3 473 23	ZF31 FZF 50/300	300
1	3 473 41	3 473 24	ZF31 FZF 50/400	400
1	3 473 42	3 473 25	ZF31 FZF 50/500	500

ZF31 Height 50 mm light duty

	50 mm
	50 -> 600 mm
	3 m



3 481 94

Straight lengths, length 2994 mm

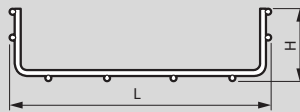
The wires of the "cradle" part are chamfered to avoid any risk of damage when mounting and to protect the cables when they are being pulled

Pack	Cat.Nos	Designation	Width (mm)
	PG		
1	3 481 90	ZF LD 50/50	50
1	3 481 91	ZF LD 50/75	75
1	3 481 92	ZF LD 50/100	100
1	3 481 93	ZF LD 50/150	150
1	3 481 94	ZF LD 50/200	200
1	3 481 95	ZF LD 50/300	300
1	3 481 96	ZF LD 50/400	400
1	3 481 97	ZF LD 50/500	500
1	3 481 98	ZF LD 50/600	600

ZF31 wire mesh cable trays

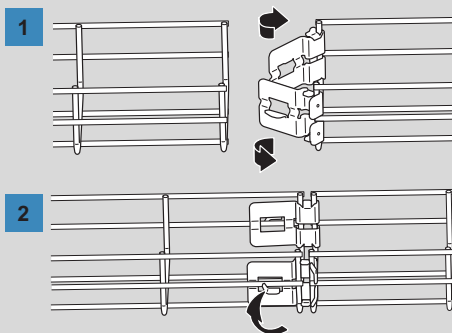
height 50 mm FASCLIC and light duty - technical characteristics

ZF31 Height 50 mm with FASCLIC couplers

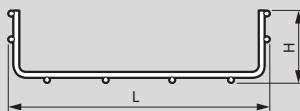


Cat.Nos	H (mm)	L (mm)	Capacity (mm ²)	Weight (kg/m)
3 473 36	53.1	74	2804	0.665
3 473 37	53.1	97	3876	0.687
3 473 38	53.1	147	6206	0.815
3 473 39	53.1	197	8489	1.072
3 473 40	53.1	297	12962	1.426
3 473 41	53.1	397	17470	1.974
3 473 42	55	497	22080	2.580

Mounting principle



ZF31 Height 50 mm light duty

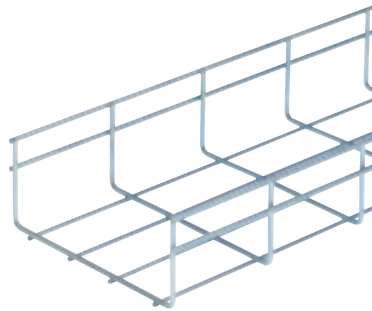
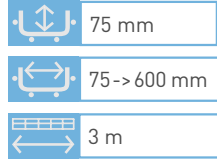


Cat.Nos	H (mm)	L (mm)	Capacity (mm ²)	Weight (kg/m)
3 481 90	52.5	47	1630	0.457
3 481 91	52.5	74	2888	0.483
3 481 92	52.5	97	3876	0.580
3 481 93	52.5	147	6206	0.760
3 481 94	52.5	197	8536	0.863
3 481 95	52.5	297	13054	1.071
3 481 96	53.9	397	17618	1.506
3 481 97	53.9	497	22228	1.713
3 481 98	53.9	597	26838	1.921

ZF31 wire mesh cable trays

heights 75 and 100 mm

ZF31 Height 75 mm



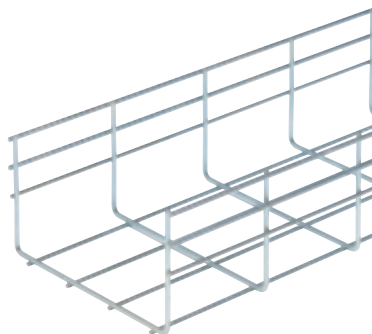
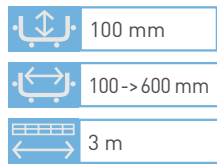
3 480 24

Straight lengths, length 2994 mm

The wires of the "cradle" part are chamfered to avoid any risk of damage when mounting and to protect the cables when they are being pulled

Pack	Cat.Nos			Designation	Width (mm)
	EZ	HDG	304L		
1	3 480 21	3 481 71	3 480 71	ZF31 75/75	75
1	3 480 22	3 481 72	3 480 72	ZF31 75/100	100
1	3 480 23	3 481 73	3 480 73	ZF31 75/150	150
1	3 480 24	3 481 74	3 480 74	ZF31 75/200	200
1	3 480 25	3 481 75	3 480 75	ZF31 75/300	300
1	3 480 26	3 481 76	3 480 76	ZF31 75/400	400
1	3 480 27	3 481 77	3 480 77	ZF31 75/500	500
1	3 480 28	3 481 78	3 480 78	ZF31 75/600	600

ZF31 Height 100 mm



3 480 34

Straight lengths, length 2994 mm

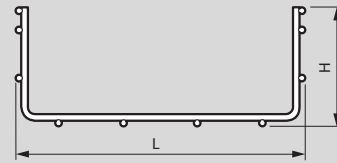
The wires of the "cradle" part are chamfered to avoid any risk of damage when mounting and to protect the cables when they are being pulled

Pack	Cat.Nos			Designation	Width (mm)
	EZ	HDG	304L		
1	3 480 33	3 481 83	3 480 83	ZF31 100/100	100
1	3 480 34	3 481 84	3 480 84	ZF31 100/200	200
1	3 480 35	3 481 85	3 480 85	ZF31 100/300	300
1	3 480 36	3 481 86	3 480 86	ZF31 100/400	400
1	3 480 37	3 481 87	3 480 87	ZF31 100/500	500
1	3 480 38	3 481 88	3 480 88	ZF31 100/600	600

ZF31 wire mesh cable trays

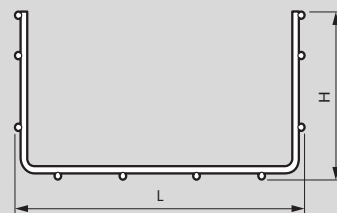
heights 75 and 100 mm - technical characteristics

ZF31 Height 75 mm



Cat.Nos	H (mm)	L (mm)	Capacity (mm ²)	Weight (kg/m)
3 480 21/71 3 481 71	80.1	74	4435	0.707
3 480 22/72 3 481 72	80.1	97	6128	0.757
3 480 23/73 3 481 73	80.1	147	9808	0.885
3 480 24/74 3 481 74	80.1	197	13250	1.200
3 480 25/75 3 481 75	80.1	297	20560	1.642
3 480 26/76 3 481 76	80.4	397	27709	2.328
3 480 27/77 3 481 77	80.4	497	35019	2.638
3 480 28/78 3 481 78	80.4	597	42329	2.948

ZF31 Height 100 mm



Cat.Nos	H (mm)	L (mm)	Capacity (mm ²)	Weight (kg/m)
3 480 33/83 3 481 83	103.1	97	7949	1.062
3 480 34/84 3 481 84	103.1	197	17422	1.416
3 480 35/85 3 481 85	103.4	297	26820	1.964
3 480 36/86 3 481 86	103.4	397	36430	2.570
3 480 37/87 3 481 87	103.4	497	46040	2.879
3 480 38/88 3 481 88	103.1	597	55650	3.189

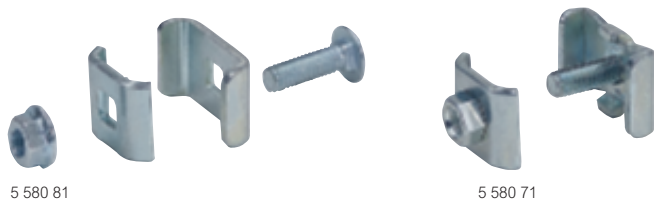
Traditional coupling

CE couplers, nuts and bolts



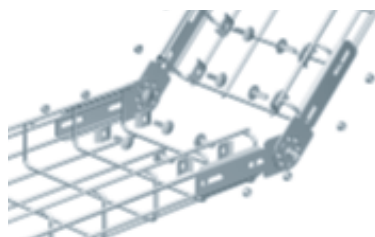
Pack	Cat.Nos		Designation
	EZ	DC	
	Cablofil		
50	5 580 11	5 580 13	Couplers CE25
50	5 580 41	5 580 43	CE30
100	8 010 11	8 010 17	Stove bolt with nut BTRCC 6 x 20
50	5 580 21	5 580 27	Coupler + bolt CE25VS
50	5 580 31	5 580 37	Coupler + nut CE30ES
100	8 012 01	-	M6 EEC nut EEC6

Kits



Pack	Cat.Nos		Designation
	EZ	DC	316L
	Cablofil		
50	5 580 91	5 580 97	- KITFIXTR (CE25 + BTRCC 6 x 20)
50	5 580 81	5 580 87	- KITASSTR (CE30 + CE 25 + BTRCC 6 x 20)
50	5 580 61	5 580 67	- KITFIXVS (CE25VS + EEC6)
50	5 580 71	5 580 77	- KITASSVS (CE25VS + CE30ES)
50	-	-	5 589 54 KITINOX (CE25VS + CE30 + EEC6)

EAC coupler



5 584 03

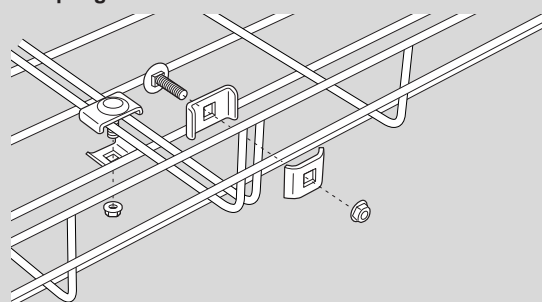
Pack	Cat.Nos	Designation
	HDC	
	Legrand	
20	5 584 03	Adjustable coupler

Traditional coupling

technical characteristics

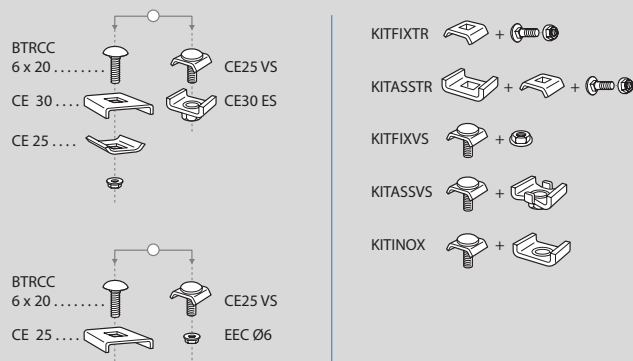
Couplers, nuts and bolts

Coupling



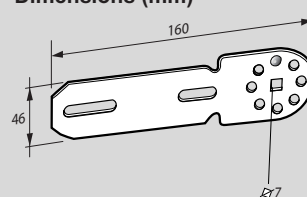
mm	A =				B =													
	50	75	100	150	200	300	400	500	600									
ZF31 H 25	2	-	2	-	2	-	2	-	2	1	2	1	2	2	2	2	2	2
ZF31 H 50	2	-	2	-	2	-	2	-	2	1	2	1	2	2	2	2	2	2
ZF31 H 75	-	-	2	-	2	-	2	-	2	1	2	1	2	2	2	2	2	2
ZF31 H 100	-	-	-	2	-	2	-	2	1	2	1	2	2	2	2	2	2	2
ZF31 H 50 LDT	2	-	2	-	2	-	2	-	2	1	2	1	2	2	2	2	2	2

Kits



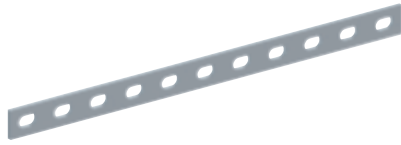
EAC couplers

Dimensions (mm)



Traditional coupling (continued)

Straight and angled couplers

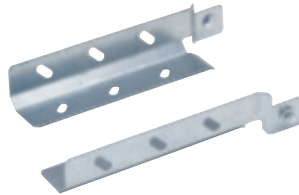


5 582 21

Assemble with CE25 couplers (p. 11) and BTRCC 6 x 20 couplers (p. 11) to create bends and for various types of mounting

Pack	Cat.Nos		Designation	Length (mm)
	EZ	HDC		
	Cablofil		Straight couplers	
50	5 582 21	5 582 23	ED275	275
20	5 582 01	5 582 03	ED1100	1100
			Angled couplers	
50	5 582 11	5 582 13	ED250/90	250 x 90
25	8 402 31	8 402 33	EZT 90	225 x 225

Kits for connecting ZF31 lengths to routing accessories



3 484 02

Pack	Cat.Nos		For ZF31 height:
	PG	316L	
	Legrand		
2	3 484 01	-	25 mm
2	3 484 02	-	50 mm
2	3 484 03	3 484 05	75 mm
2	3 484 00	-	100 mm

ZF31 LIAI connection accessories



3 485 23



3 485 24

For making connections between ZF31 and CABLOFIL or ZEDFIL cable trays

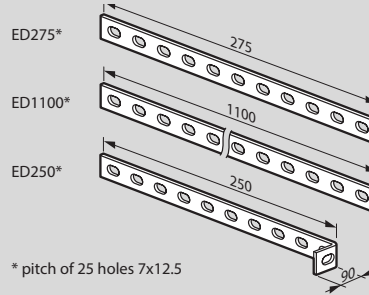
Pack	Cat.Nos	For ZF31 height:
	PG	
	Legrand	
2	3 485 23	25 mm - LIAI 25
2	3 485 24	50 and 100 mm - LIAI 50/100

Traditional coupling

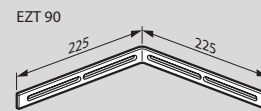
technical characteristics

Straight or angled couplers

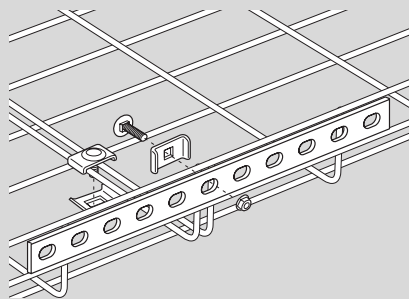
Dimensions (mm)



* pitch of 25 holes 7x12.5



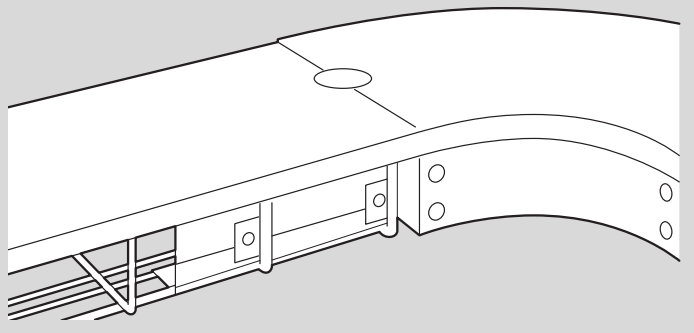
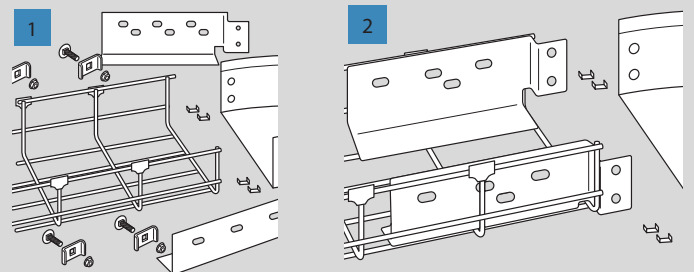
Coupling



	A = → ← ↻ ↻				B = ↻ ↻ ↻ ↻											
mm	50	75	100	150	200	300	400	500	600							
	A	B	A	B	A	B	A	B	A	B						
ZF31 H 25	2	-	2	-	2	-	2	1	2	1	2	2	2	2	2	2
ZF31 H 50	2	-	2	-	2	-	2	1	2	1	2	2	2	2	2	2
ZF31 H 75	-	-	2	-	2	-	2	1	2	1	2	2	2	2	2	2
ZF31 H 100	-	-	-	2	-	2	-	2	1	2	1	2	2	2	2	2
ZF31 H 50 LDT	2	-	2	-	2	-	2	1	2	1	2	2	2	2	2	2

Kit for connecting ZF31 lengths to routing accessories

Mounting principle



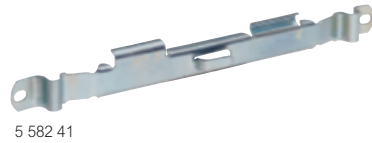
Quick, screw-free coupling



Quick, screw-free coupling

technical characteristics

EDRN couplers



Supplied with tool

Pack	Cat.Nos		Designation
	GS	DC	
	Cablofil		
50	5 582 41	5 582 47	EDRN
10	5 582 60	-	EDR tool

ZF-LOCK quick couplers



Pack	Cat.Nos			Designation
	GS	ZM	304L	
	Legrand			
25	3 485 40	3 485 27	3 485 28	ZF-LOCK S coupler
25	3 485 90	3 485 97	3 485 98	ZF-LOCK XL coupler

CEFAS quick base couplers

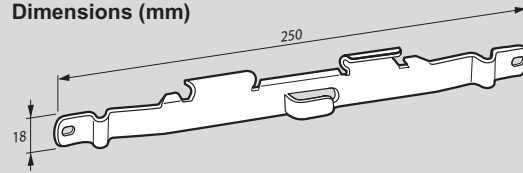


Can also be used as a support for a luminaire

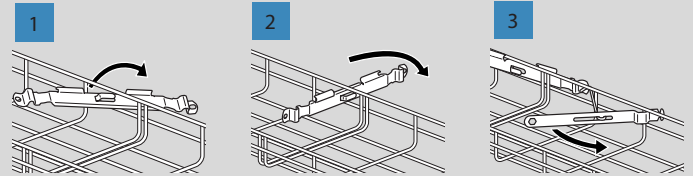
Pack	Cat.Nos		Designation
	GS	DC	
	Cablofil		
50	5 584 10	5 584 17	CEFAS

EDRN couplers

Dimensions (mm)



Mounting

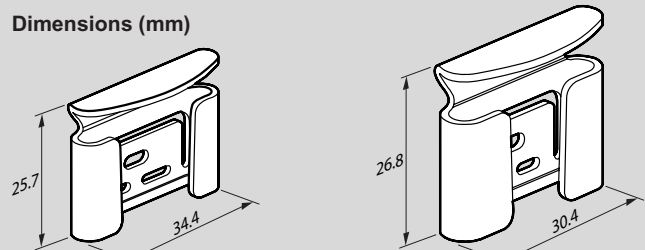


Coupling

mm	50		75		100		150		200		300		400/500		600		
	A	B	A	B	A	B	A	B	A	B	A	B	A	B	A	B	
ZF31 H 25	2	-	2	-	2	-	2	-	2	1	2	1	2	1	2	2	2
ZF31 H 50	2	-	2	-	2	-	2	-	2	1	2	1	2	1	2	2	2
ZF31 H 75	-	-	2	-	2	-	2	-	2	1	2	1	2	1	2	2	2
ZF31 H 100	-	-	-	-	2	-	2	-	2	1	2	1	2	1	2	2	2
ZF31 H 50 LDT	2	-	2	-	2	-	2	-	2	1	2	1	2	1	2	2	2

ZF-LOCK quick couplers

Dimensions (mm)

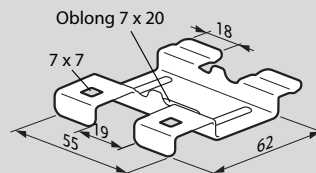


ZF-LOCK S

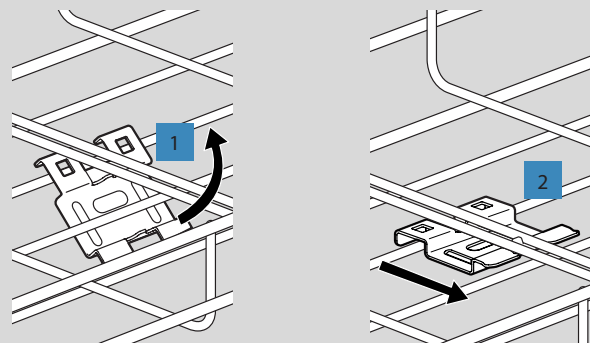
ZF-LOCK XL

CEFAS quick base couplers

Dimensions (mm)



Mounting



ZF31 wire mesh cable trays

accessories

Covers length 3 m



3 401 93

Clip-on cover, equipped with locking lugs at the ends
The stainless steel covers are supplied with an earth terminal

Pack	Cat.Nos			Designation	Width (mm)
	EZ	HDG	304		
12 2 12	3 401 89	3 421 69	3 463 13	P31 CO50	50
12 2 12	3 401 90	3 421 70	3 463 14	P31 CO75	77
12 2 12	3 401 91	3 421 71	3 463 15	P31 CO100	100
12 2 12	3 401 92	3 421 72	3 463 16	P31 CO150	150
12 2 12	3 401 93	3 421 52	3 463 17	P31 CO200	200
12 2 12	3 401 94	3 421 53	3 463 12	P31 CO300	300
12 2 10	3 401 95	3 421 54	3 464 77	P31 CO400	400
10 2 10	3 401 96	3 421 55	3 464 78	P31 CO500	500
10 2 -	3 401 97	3 421 56	-	P31 CO600	600

Dividers



3 415 90

Pack	Cat.Nos			Designation	Height (mm)
	PG	HDG	304L		
4	3 415 16	3 435 16	3 464 79	P31 DIV25	25
4	3 415 34	3 435 34	3 464 75	P31 DIV50	50
4	3 415 90	3 435 90	3 464 56	P31 DIV75	75
4	3 416 57	3 436 57	3 464 76	P31 DIV100	100

CLIPCO clips for cover



3 485 80

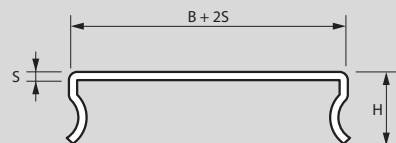
Used to lock covers on ZF31 wire mesh cable trays (for lengths which no longer have any locking lugs, when the covers have been cut).
Provide 4 clips per cover.

Pack	Cat.Nos			Designation
	GS	DC	302L	
25	3 485 80	3 485 87	3 485 88	CLIPCO for ZF31 width from 50 to 300 mm
24	3 484 20	3 484 27	3 484 28	CLIPCO XL for ZF 31 width from 400 to 600 mm

ZF31 wire mesh cable trays

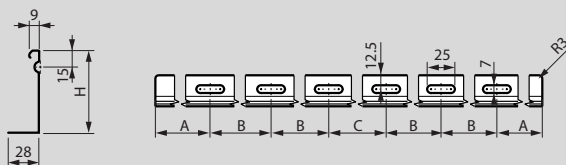
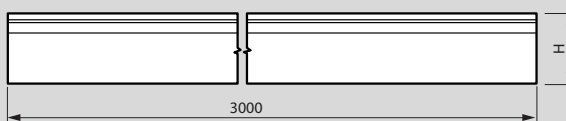
accessories - technical characteristics

Cover length 3 m



Cat.Nos	H (mm)	B (mm)	S (mm)	L (mm)	Weight (kg/m)
3 401 89 3 421 69 3 441 69	19	50	0.5	3000	0.352
3 401 90 3 421 70 3 441 70	19	77	0.5	3000	0.458
3 401 91 3 421 71 3 441 71	19	100	0.5	3000	0.549
3 401 92 3 421 72 3 441 72	19	150	0.5	3000	0.745
3 401 93 3 421 52 3 441 73	19	200	0.5	3000	0.942
3 401 94 3 421 53 3 441 74	19.10	300	0.6	3000	1.335
3 401 95 3 421 54	19.25	400	0.75	3000	1.728
3 401 96 3 421 55	19.25	500	0.75	3000	2.121
3 401 97 3 421 56	19.25	600	0.75	3000	2.514

Dividers



Cat.Nos	H (mm)	S (mm)	L (mm)	Weight (kg/m)
3 415 16 3 435 16 3 464 79	24	0.75 0.80 0.80	3000	0.303 0.377 0.324
3 415 34 3 435 34 3 464 75	48	0.75 0.80 0.80	3000	0.447 0.557 0.477
3 415 90 3 435 90 3 464 56	72	0.75 0.80 0.80	3000	0.59 0.737 0.630
3 416 57 3 436 57 3 464 76	96	0.75 0.80 0.80	3000	0.734 0.917 0.784

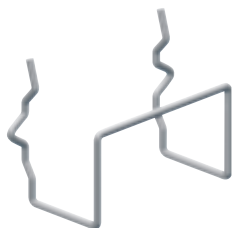
ZF31 wire mesh cable trays

accessories (continued)

COTFIL and COTFIL U cable guides



5 867 11



3 505 24

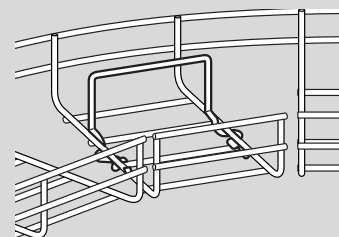
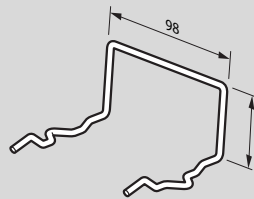
Can be mounted in bends
Only for mounting on ZF31 without cover

Pack	Cat.Nos		Designation	Height (mm)
	EZ	304L		
	Cablofil		COTFIL - Bend dividers	
12	5 867 11	5 867 18	COTFIL30	24
12	5 867 21	5 867 28	COTFIL50	44
12	5 867 31	5 867 38	COTFIL75	69
12	5 867 41	5 867 48	COTFIL100	94
			COTFIL U - Cable guide for vertical installation	
12	3 505 24	-	COTFIL U	-

ZF31 wire mesh cable trays

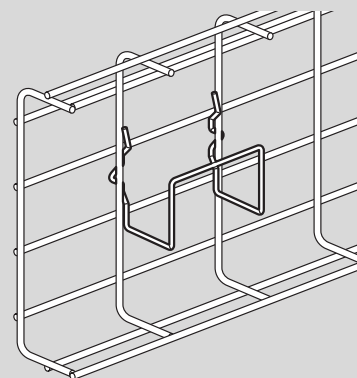
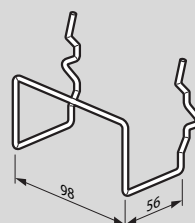
accessories - technical characteristics (continued)

COTFIL cable guides



Cat.Nos	H (mm)
5 867 11/18	24
5 867 21/28	44
5 867 31/38	69
5 867 41/48	94

COTFIL U cable guide



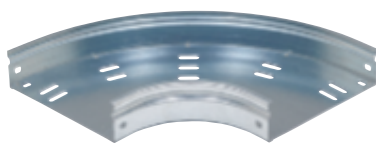
90° flat bends and covers

perforated bases

90° flat bends

25 -> 100 mm

50 -> 500 mm



3 411 92

Couplers not included
For use with connection kits (p. 12)

Pack	Cat.Nos		For ZF31 width:
	GS	HDG	
Height 25 mm			
1	3 411 84	3 431 84	100
1	3 411 85	3 431 85	150
1	3 411 86	3 431 86	200
1	3 411 87	3 431 87	300
1	3 411 88	3 431 88	400
1	3 411 89	3 431 89	500
Height 50 mm			
1	3 411 90	3 431 90	100
1	3 411 91	3 431 91	150
1	3 411 92	3 431 92	200
1	3 411 93	3 431 93	300
1	3 411 94	3 431 94	400
1	3 411 95	3 431 95	500
Height 75 mm			
1	3 411 96	3 431 96	100
1	3 411 97	3 431 97	150
1	3 411 98	3 431 98	200
1	3 411 99	3 431 99	300
1	3 412 00	3 432 00	400
1	3 412 01	3 432 01	500
Height 100 mm			
1	3 412 02	3 432 02	100
1	3 412 03	3 432 03	150
1	3 412 04	3 432 04	200
1	3 412 05	3 432 05	300
1	3 412 06	3 432 06	400
1	3 412 07	3 432 07	500

For 50 mm widths (25 and 50 mm heights) and 77 mm widths (25, 50 and 75 mm heights), refer to the "plain base" products on p. 23

Covers for 90° flat bends

100 -> 500 mm



3 408 65

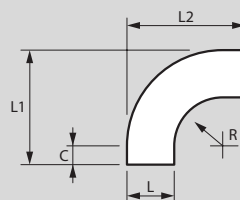
Pack	Cat.Nos		For ZF31 width:
	GS	HDG	
12	3 408 63	3 428 63	100
12	3 408 64	3 428 64	150
14	3 408 65	3 428 65	200
10	3 408 66	3 428 66	300
1	3 408 67	3 428 67	400
1	3 408 68	3 428 68	500

For 50 mm widths (25 and 50 mm heights) and 77 mm widths (25, 50 and 75 mm heights), refer to the "plain base" products on p. 23

90° flat bends and covers

perforated bases - technical characteristics

■ Dimensions (mm)



H (mm)	L (mm)	R (mm)	L1 (mm)	L2 (mm)	C (mm)	Weight (kg)	Weight with cover (kg)
27	100	100	230	230	30	0.421	0.631
27	150	100	280	280	30	0.56	0.97
27	200	100	330	330	30	0.736	1.186
27	300	100	430	430	30	1.13	2.15
27	400	150	600	600	50	2.01	4.18
27	500	150	700	700	50	2.82	5.91
50	100	100	230	230	30	0.511	0.731
50	150	100	280	280	30	0.78	1.24
50	200	100	330	330	30	0.976	1.646
50	300	100	430	430	30	1.76	2.91
50	400	150	600	600	50	3.02	5.19
50	500	150	700	700	50	4.21	7.39
77	100	100	230	230	30	0.811	1.031
77	150	100	280	280	30	1.04	1.50
77	200	100	330	330	30	1.376	2.046
77	300	100	430	430	30	1.91	3.04
77	400	150	600	600	50	3.33	5.50
77	500	150	700	700	50	4.61	7.75
100	100	100	230	230	30	0.741	0.961
100	150	100	280	280	30	1.04	1.50
100	200	100	330	330	30	1.336	2.006
100	300	100	430	430	30	2.11	3.24
100	400	150	600	600	50	3.59	5.76
100	500	150	700	700	50	4.91	8.05

45° flat bends and covers

perforated bases

45° flat bends

25 -> 100 mm

100 -> 500 mm



3 412 62

Couplers not included

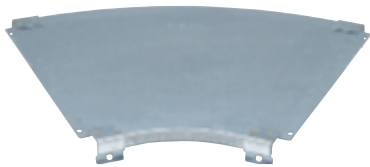
For use with connection kits (p. 12)

Pack	Cat.Nos		For ZF31 width:
	GS	HDG	Height 25 mm
1	3 412 54	3 432 54	100
1	3 412 55	3 432 55	150
1	3 412 56	3 432 56	200
1	3 412 57	3 432 57	300
1	3 412 58	3 432 58	400
1	3 412 59	3 432 59	500
			Height 50 mm
1	3 412 60	3 432 60	100
1	3 412 61	3 432 61	150
1	3 412 62	3 432 62	200
1	3 412 63	3 432 63	300
1	3 412 64	3 432 64	400
1	3 412 65	3 432 65	500
			Height 75 mm
1	3 412 66	3 432 66	100
1	3 412 67	3 432 67	150
1	3 412 68	3 432 68	200
1	3 412 69	3 432 69	300
1	3 412 70	3 432 70	400
1	3 412 71	3 432 71	500
			Height 100 mm
1	3 412 72	3 432 72	100
1	3 412 73	3 432 73	150
1	3 412 74	3 432 74	200
1	3 412 75	3 432 75	300
1	3 412 76	3 432 76	400
1	3 412 77	3 432 77	500

For 50 mm widths (25 and 50 mm heights) and 77 mm widths (25, 50 and 75 mm heights), refer to the "plain base" products on p. 24

Covers for 45° flat bends

100 -> 500 mm



3 408 74

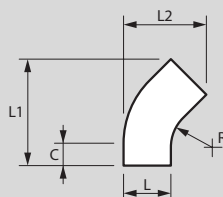
Pack	Cat.Nos		For ZF31 width:
	GS	HDG	
28	3 408 72	3 428 72	100
12	3 408 73	3 428 73	150
10	3 408 74	3 428 74	200
10	3 408 75	3 428 75	300
1	3 408 76	3 428 76	400
1	3 408 77	3 428 77	500

For 50 mm widths (25 and 50 mm heights) and 77 mm widths (25, 50 and 75 mm heights), refer to the "plain base" products on p. 24

45° flat bends and covers

perforated bases - technical characteristics

Dimensions (mm)



H (mm)	L (mm)	R (mm)	L1 (mm)	L2 (mm)	C (mm)	Weight (kg)	Weight with cover (kg)
27	100	100	194	151	30	0.235	0.385
27	150	100	229	201	30	0.31	0.59
27	200	100	264	251	30	0.425	0.825
27	300	100	334	351	30	0.75	1.46
27	400	150	474	479	50	1.29	2.41
27	500	150	575	579	50	1.80	3.31
50	100	100	194	151	30	0.285	0.465
50	150	100	229	201	30	0.38	0.66
50	200	100	264	251	30	0.495	0.895
50	300	100	334	251	30	0.86	1.51
50	400	150	474	479	50	1.55	2.66
50	500	150	545	579	50	2.04	3.55
77	100	100	194	151	30	0.485	0.665
77	150	100	229	201	30	0.61	0.89
77	200	100	264	251	30	0.785	1.185
77	300	100	334	351	30	1.20	1.85
77	400	150	474	479	50	1.71	2.82
77	500	150	545	579	50	2.22	3.74
100	100	100	193	151	30	0.425	0.605
100	150	100	228	201	30	0.54	0.82
100	200	100	263	251	30	0.665	1.065
100	300	100	334	351	30	1.06	1.71
100	400	150	474	479	50	1.85	2.95
100	500	150	545	579	50	2.37	3.88

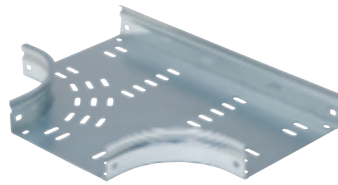
Flat tees and covers

perforated bases

Flat tees

25 -> 100 mm

100 -> 500 mm



3 414 56

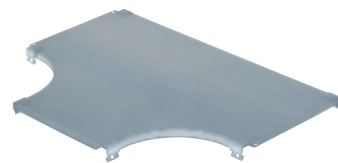
Couplers not included
For use with connection kits (p. 12)

Pack	Cat.Nos		For ZF31 width:
	GS	HDC	Height 25 mm
1	3 414 48	3 434 48	100
1	3 414 49	3 434 49	150
1	3 414 50	3 434 50	200
1	3 414 51	3 434 51	300
1	3 414 52	3 434 52	400
1	3 414 53	3 434 53	500
			Height 50 mm
1	3 414 54	3 434 54	100
1	3 414 55	3 434 55	150
1	3 414 56	3 434 56	200
1	3 414 57	3 434 57	300
1	3 414 58	3 434 58	400
1	3 414 59	3 434 59	500
			Height 75 mm
1	3 414 60	3 434 60	100
1	3 414 61	3 434 61	150
1	3 414 62	3 434 62	200
1	3 414 63	3 434 63	300
1	3 414 64	3 434 64	400
1	3 414 65	3 434 65	500
			Height 100 mm
1	3 414 66	3 434 66	100
1	3 414 67	3 434 67	150
1	3 414 68	3 434 68	200
1	3 414 69	3 434 69	300
1	3 414 70	3 434 70	400
1	3 414 71	3 434 71	500

For 50 mm widths (25 and 50 mm heights) and 77 mm widths (25, 50 and 75 mm heights), refer to the "plain base" products on p. 25

Covers for flat tees

100 -> 500 mm



3 408 83

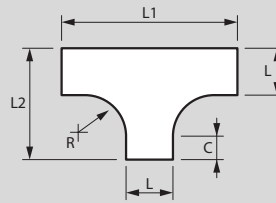
Pack	Cat.Nos		For ZF31 width:
	GS	HDC	
8	3 408 81	3 428 81	100
14	3 408 82	3 428 82	150
14	3 408 83	3 428 83	200
1	3 408 84	3 428 84	300
1	3 408 85	3 428 85	400
1	3 408 86	3 428 86	500

For 50 mm widths (25 and 50 mm heights) and 77 mm widths (25, 50 and 75 mm heights), refer to the "plain base" products on p. 25

Flat tees and covers

perforated bases - technical characteristics

Dimensions (mm)



H (mm)	L (mm)	R (mm)	L1 (mm)	L2 (mm)	C (mm)	Weight (kg)	Weight with cover (kg)
27	100	100	360	230	30	0.69	1.27
27	150	100	410	280	30	0.82	1.65
27	200	100	460	330	30	1.01	2.14
27	300	100	560	430	30	1.09	3.39
27	400	150	800	600	50	2.58	5.88
27	500	150	900	700	50	3.28	7.16
50	100	100	360	230	30	0.72	1.22
50	150	100	410	280	30	0.95	1.67
50	200	100	460	330	30	1.22	2.26
50	300	100	560	430	30	2.04	3.88
50	400	150	800	600	50	4.39	7.69
50	500	150	900	700	50	4.57	8.37
77	100	100	360	230	30	1.13	1.63
77	150	100	410	280	30	1.46	2.18
77	200	100	460	330	30	1.955	2.995
77	300	100	560	430	30	2.63	4.21
77	400	150	800	600	50	4.71	8.01
77	500	150	900	700	50	5.37	9.17
100	100	100	360	230	30	1.183	1.683
100	150	100	410	280	30	1.38	2.10
100	200	100	460	330	30	1.64	2.69
100	300	100	560	430	30	2.52	4.36
100	400	150	800	600	50	4.87	8.17
100	500	150	900	700	50	5.54	9.34

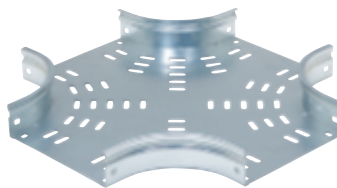
Flat crosses and covers

perforated bases

Flat crosses

25 -> 100 mm

100 -> 500 mm



3 414 82

Couplers not included
For use with connection kits (p. 12)

Pack	Cat.Nos		For ZF31 width:
	GS	HDC	
Height 25 mm			
1	3 414 74	3 434 74	100
1	3 414 75	3 434 75	150
1	3 414 76	3 434 76	200
1	3 414 77	3 434 77	300
1	3 414 78	3 434 78	400
1	3 414 79	3 434 79	500
Height 50 mm			
1	3 414 80	3 434 80	100
1	3 414 81	3 434 81	150
1	3 414 82	3 434 82	200
1	3 414 83	3 434 83	300
1	3 414 84	3 434 84	400
1	3 414 85	3 434 85	500
Height 75 mm			
1	3 414 86	3 434 86	100
1	3 414 87	3 434 87	150
1	3 414 88	3 434 88	200
1	3 414 89	3 434 89	300
1	3 414 90	3 434 90	400
1	3 414 91	3 434 91	500
Height 100 mm			
1	3 414 92	3 434 92	100
1	3 414 93	3 434 93	150
1	3 414 94	3 434 94	200
1	3 414 95	3 434 95	300
1	3 414 96	3 434 96	400
1	3 414 97	3 434 97	500

For 50 mm widths (25 and 50 mm heights) and 77 mm widths (25, 50 and 75 mm heights), refer to the "plain base" products on p. 26

Covers for flat crosses

100 -> 500 mm



3 407 68

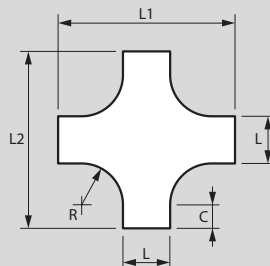
Pack	Cat.Nos		For ZF31 width:
	GS	HDC	
14	3 407 58	3 427 58	100
14	3 407 59	3 427 59	150
8	3 407 68	3 427 68	200
1	3 407 69	3 427 69	300
1	3 407 78	3 427 78	400
1	3 407 79	3 427 79	500

For 50 mm widths (25 and 50 mm heights) and 77 mm widths (25, 50 and 75 mm heights), refer to the "plain base" products on p. 26

Flat crosses and covers

perforated bases - technical characteristics

Dimensions (mm)



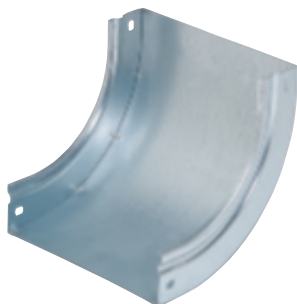
H (mm)	L (mm)	R (mm)	L1 (mm)	L2 (mm)	C (mm)	Weight (kg)	Weight with cover (kg)
27	100	100	360	360	30	0.75	1.40
27	150	100	410	410	30	0.83	1.88
27	200	100	460	460	30	1.01	2.26
27	300	100	560	560	30	1.68	3.73
27	400	150	800	800	50	3.27	6.63
27	500	150	900	900	50	4.80	9.22
50	100	100	360	360	30	0.95	1.57
50	150	100	410	410	30	1.23	2.16
50	200	100	460	460	30	1.56	2.81
50	300	100	560	560	30	2.67	4.72
50	400	150	800	800	50	4.44	7.88
50	500	150	900	900	50	5.76	10.28
77	100	100	360	360	30	1.28	1.90
77	150	100	410	410	30	1.55	2.58
77	200	100	460	460	30	1.88	3.13
77	300	100	560	560	30	2.99	5.04
77	400	150	800	800	50	4.73	8.17
77	500	150	900	900	50	6.05	10.57
100	100	100	360	360	30	1.28	1.90
100	150	100	410	410	30	1.56	2.59
100	200	100	460	460	30	1.89	3.14
100	300	100	560	560	30	3.00	5.05
100	400	150	800	800	50	4.89	8.25
100	500	150	900	900	50	6.19	10.61

Inside risers

plain bases

Inside risers

- 25 -> 100 mm
- 50 -> 600 mm



3 409 82

Couplers not included
 For use with connection kits (p. 12)
 Accessories not perforated

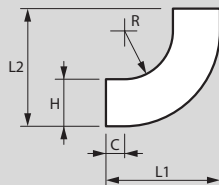
Pack	Cat.Nos		For ZF31 width:
	GS	HDC	Height 25 mm
1	3 409 71	3 429 71	50
1	3 409 72	3 429 72	75
1	3 409 73	3 429 73	100
1	3 409 74	3 429 74	150
1	3 409 75	3 429 75	200
1	3 409 76	3 429 76	300
1	3 409 77	3 429 77	400
1	3 409 78	3 429 78	500
			Height 50 mm
1	3 409 79	3 429 79	50
1	3 408 38	3 428 30	75
1	3 409 80	3 429 80	100
1	3 409 81	3 429 81	150
1	3 409 82	3 429 82	200
1	3 409 83	3 429 83	300
1	3 409 84	3 429 84	400
1	3 409 85	3 429 85	500
1	3 409 86	3 429 86	600
			Height 75 mm
1	3 409 87	3 429 87	75 ⁽¹⁾
1	3 409 88	3 429 88	100 ⁽¹⁾
1	3 409 89	3 429 89	150 ⁽¹⁾
1	3 409 90	3 429 90	200 ⁽¹⁾
1	3 409 91	3 429 91	300 ⁽¹⁾
1	3 409 92	3 429 92	400 ⁽¹⁾
1	3 409 93	3 429 93	500
1	3 409 94	3 429 94	600
			Height 100 mm
1	3 409 95	3 429 95	100
1	3 409 96	3 429 96	150
1	3 409 97	3 429 97	200
1	3 409 98	3 429 98	300
1	3 409 99	3 429 99	400
1	3 410 00	3 430 00	500
1	3 410 01	3 505 22	600

1: 304L finish available on request
 Available covers p. 22

Inside risers

plain bases - technical characteristics

Dimensions (mm)



H (mm)	L (mm)	R (mm)	L1 (mm)	L2 (mm)	C (mm)	Weight (kg)	Weight with cover (kg)
27	50	45	102	102	30	0.14	0.21
27	77	150	102	102	30	0.42	0.69
27	100	150	232	232	30	0.45	0.78
27	150	150	232	232	30	0.51	0.98
27	200	150	232	232	30	0.58	1.18
27	300	150	232	232	30	0.70	1.62
27	400	225	282	282	50	1.29	2.71
27	500	225	282	282	50	1.41	3.14
50	50	20	100	100	30	0.17	0.23
50	77	100	180	180	30	0.48	0.78
50	100	127	210	210	30	0.51	0.84
50	150	127	210	210	30	0.61	1.08
50	200	127	210	210	30	0.71	1.32
50	300	127	210	210	30	0.91	1.80
50	400	200	301	301	50	1.75	3.19
50	500	200	301	301	50	2.07	3.82
50	600	200	301	301	50	2.40	4.45
77	77	100	208	208	30	0.68	0.96
77	100	100	208	208	30	0.71	1.04
77	150	100	208	208	30	0.81	1.28
77	200	100	208	208	30	0.92	1.53
77	300	100	208	208	30	1.13	2.02
77	400	173	301	301	50	1.78	3.22
77	500	173	301	301	50	2.07	3.82
77	600	173	301	301	50	2.36	4.41
100	100	150	301	301	50	1.00	1.50
100	150	150	301	301	50	1.13	1.78
100	200	150	301	301	50	1.26	2.06
100	300	150	301	301	50	1.53	2.64
100	400	150	301	301	50	1.78	3.20
100	500	150	301	301	50	2.05	3.80
100	600	150	301	301	50	2.31	4.60



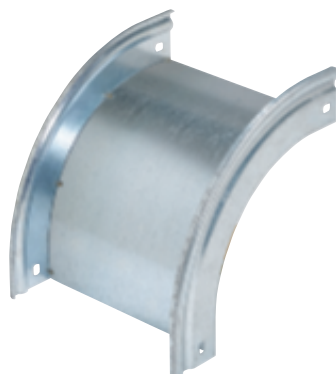
Outside risers

plain bases

Outside risers

25 -> 100 mm

50 -> 600 mm



3 410 41

Couplers not included
For use with connection kits (p. 12)
Accessories not perforated

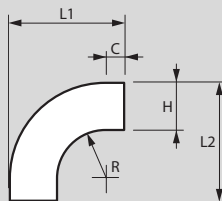
Pack	Cat.Nos		For ZF31 width:
	GS	HDC	Height 25 mm
1	3 410 30	3 430 30	50
1	3 410 31	3 430 31	75
1	3 410 32	3 430 32	100
1	3 410 33	3 430 33	150
1	3 410 34	3 430 34	200
1	3 410 35	3 430 35	300
1	3 410 36	3 430 36	400
1	3 410 37	3 430 37	500
			Height 50 mm
1	3 410 38	3 430 38	50
1	3 408 39	3 428 39	75
1	3 410 39	3 430 39	100
1	3 410 40	3 430 40	150
1	3 410 41	3 430 41	200
1	3 410 42	3 430 42	300
1	3 410 43	3 430 43	400
1	3 410 44	3 430 44	500
1	3 410 45	3 430 45	600
			Height 75 mm
1	3 410 46	3 430 46	75 ⁽¹⁾
1	3 410 47	3 430 47	100 ⁽¹⁾
1	3 410 48	3 430 48	150 ⁽¹⁾
1	3 410 49	3 430 49	200 ⁽¹⁾
1	3 410 50	3 430 50	300 ⁽¹⁾
1	3 410 51	3 430 51	400 ⁽¹⁾
1	3 410 52	3 430 52	500
1	3 410 53	3 430 53	600
			Height 100 mm
1	3 410 54	3 430 54	100
1	3 410 55	3 430 55	150
1	3 410 56	3 430 56	200
1	3 410 57	3 430 57	300
1	3 410 58	3 430 58	400
1	3 410 59	3 430 59	500
1	3 410 07	3 505 23	600

1: 304L finish available on request
Available covers p. 22

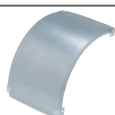
Outside risers

plain bases - technical characteristics

Dimensions (mm)

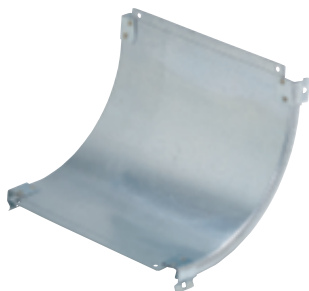


H (mm)	L (mm)	R (mm)	L1 (mm)	L2 (mm)	C (mm)	Weight (kg)	Weight with cover (kg)
27	50	19	76	76	30	0.12	0.15
27	77	101	158	158	30	0.46	0.63
27	100	101	158	158	30	0.50	0.70
27	150	101	158	158	30	0.59	0.86
27	200	101	158	158	30	0.67	1.04
27	300	101	158	158	30	0.83	1.38
27	400	151	228	228	50	1.41	2.38
27	500	151	228	228	50	1.45	2.63
50	50	20	100	100	30	0.21	0.26
50	77	100	180	180	30	0.46	0.64
50	100	100	180	180	30	0.49	0.70
50	150	100	180	180	30	0.60	0.88
50	200	100	180	180	30	0.72	1.10
50	300	100	180	180	30	0.95	1.50
50	400	150	250	250	50	1.67	2.64
50	500	150	250	250	50	2.00	3.18
50	600	150	250	250	50	2.32	3.71
77	77	100	205	205	30	0.70	0.87
77	100	100	205	205	30	0.77	0.98
77	150	100	205	205	30	0.90	1.18
77	200	100	205	205	30	1.05	1.43
77	300	100	205	205	30	1.35	1.90
77	400	150	275	275	50	2.00	2.97
77	500	150	275	275	50	2.35	3.53
77	600	150	275	275	50	2.71	4.10
100	100	150	300	300	50	1.12	1.47
100	150	150	300	300	50	1.32	1.76
100	200	150	300	300	50	1.51	2.06
100	300	150	300	300	50	1.85	2.62
100	400	150	300	300	50	2.22	3.22
100	500	150	300	300	50	2.65	3.83
100	600	150	300	300	50	3.06	4.30



Covers for inside risers

Covers for inside risers

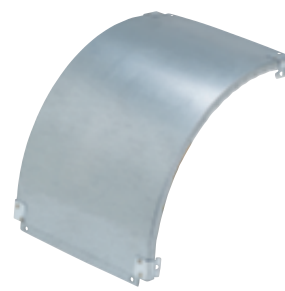


3 408 92

Pack	Cat.Nos		For ZF31 width:
	GS	HDG	
			Height 25 to 75 mm
40	3 408 88	3 428 88	50
6	3 408 89	3 428 89	75
6	3 408 90	3 428 90	100
10	3 408 91	3 428 91	150
10	3 408 92	3 428 92	200
10	3 408 93	3 428 93	300
6	3 408 96	3 428 96	400
6	3 408 97	3 428 97	500
6 1	3 408 98	3 433 54	600
			Height 100 mm
5	3 411 75	3 431 75	100
5	3 411 76	3 431 76	150
5	3 408 94	3 428 94	200
5	3 408 95	3 428 95	300
6	3 408 96	3 428 96	400
6	3 408 97	3 428 97	500
6 1	3 408 98	3 433 54	600

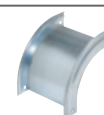
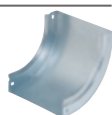
Covers for outside risers

Covers for outside risers



3 408 18

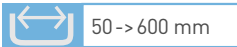
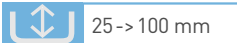
Pack	Cat.Nos		For ZF31 width:
	GS	HDG	
			Height 25 to 75 mm
14	3 407 98	3 427 98	50
5	3 407 99	3 427 99	75
5	3 408 08	3 428 08	100
5	3 408 09	3 428 09	150
5	3 408 18	3 428 18	200
5	3 408 19	3 428 19	300
2	3 408 27	3 428 27	400
2	3 408 28	3 428 28	500
2 1	3 408 29	3 428 29	600
			Height 100 mm
2	3 401 81	3 431 78	100
2	3 401 82	3 431 79	150
2	3 408 25	3 428 25	200
2	3 408 26	3 428 26	300
2	3 408 27	3 428 27	400
2	3 408 28	3 428 28	500
2 1	3 408 29	3 433 37	600



90° flat bends and covers

plain bases

90° flat bends



3 409 17

Couplers not included
For use with connection kits (p. 12)

Pack	Cat.Nos		For ZF31 width:
	GS	HDG	Height 25 mm
1	3 409 06	3 429 06	50
1	3 409 07	3 429 07	75
1	3 409 08	3 429 08	100
1	3 409 09	3 429 09	150
1	3 409 10	3 429 10	200
1	3 409 11	3 429 11	300
1	3 409 12	3 429 12	400
1	3 409 13	3 429 13	500
			Height 50 mm
1	3 409 14	3 429 14	50
1	3 407 89	3 427 89	75
1	3 409 15	3 429 15	100
1	3 409 16	3 429 16	150
1	3 409 17	3 429 17	200
1	3 409 18	3 429 18	300
1	3 409 19	3 429 19	400
1	3 409 20	3 429 20	500
1	3 409 21	3 429 21	600
			Height 75 mm
1	3 409 22	3 429 22	75 ⁽¹⁾
1	3 409 23	3 429 23	100 ⁽¹⁾
1	3 409 24	3 429 24	150 ⁽¹⁾
1	3 409 25	3 429 25	200 ⁽¹⁾
1	3 409 26	3 429 26	300 ⁽¹⁾
1	3 409 27	3 429 27	400 ⁽¹⁾
1	3 409 28	3 429 28	500 ⁽¹⁾
1	3 409 29	3 429 29	600 ⁽¹⁾
			Height 100 mm
1	3 409 30	3 429 30	100
1	3 409 31	3 429 31	150
1	3 409 32	3 429 32	200
1	3 409 33	3 429 33	300
1	3 409 34	3 429 34	400
1	3 409 35	3 429 35	500
1	3 419 36	3 505 16	600

1: 304L finish available on request

Covers for 90° flat bends



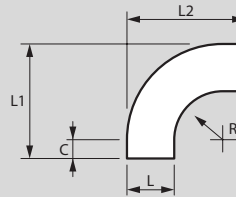
3 408 65

Pack	Cat.Nos		For ZF31 width:
	GS	HDG	
40	3 408 61	3 428 61	50
8	3 408 62	3 428 62	75
12	3 408 63	3 428 63	100
12	3 408 64	3 428 64	150
14	3 408 65	3 428 65	200
10	3 408 66	3 428 66	300
1	3 408 67	3 428 67	400
1	3 408 68	3 428 68	500
1	3 408 69	3 433 14	600

90° flat bends and covers

plain bases - technical characteristics

■ Dimensions (mm)

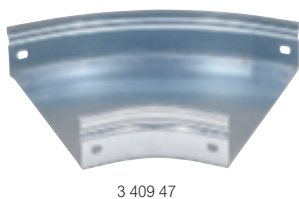
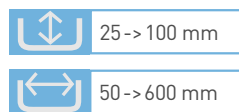


H (mm)	L (mm)	R (mm)	L1 (mm)	L2 (mm)	C (mm)	Weight (kg)	Weight with cover (kg)
27	50	20	100	100	30	0.15	0.22
27	77	100	205	205	30	0.37	0.54
27	100	100	230	230	30	0.43	0.64
27	150	100	280	280	30	0.58	0.99
27	200	100	330	330	30	0.75	1.21
27	300	100	430	430	30	1.18	2.20
27	400	150	600	600	50	2.09	4.26
27	500	150	700	700	50	2.91	6.00
50	50	20	100	100	30	0.21	0.26
50	77	100	205	205	30	0.48	0.69
50	100	100	230	230	30	0.52	0.74
50	150	100	280	280	30	0.80	1.26
50	200	100	330	330	30	1.00	1.67
50	300	100	430	430	30	1.81	2.94
50	400	150	600	600	50	3.10	5.27
50	500	150	700	700	50	4.30	7.48
50	600	150	800	800	50	5.62	9.73
77	77	100	205	205	30	0.70	0.90
77	100	100	230	230	30	0.82	1.04
77	150	100	280	280	30	1.06	1.52
77	200	100	330	330	30	1.40	2.07
77	300	100	430	430	30	1.96	3.09
77	400	150	600	600	50	3.41	5.58
77	500	150	700	700	50	4.70	7.84
77	600	150	800	800	50	6.10	10.21
100	100	100	230	230	30	0.75	0.97
100	150	100	280	280	30	1.06	1.52
100	200	100	330	330	30	1.36	2.03
100	300	100	430	430	30	2.16	3.29
100	400	150	600	600	50	3.67	5.84
100	500	150	700	700	50	5.00	8.14
100	600	150	800	800	50	6.4	10.20

45° flat bends and covers

plain bases

45° flat bends



Couplers not included
For use with connection kits (p. 12)

Pack	Cat.Nos		For ZF31 width:
	GS	HDG	
Height 25 mm			
1	3 409 36	3 429 36	50
1	3 409 37	3 429 37	75
1	3 409 38	3 429 38	100
1	3 409 39	3 429 39	150
1	3 409 40	3 429 40	200
1	3 409 41	3 429 41	300
1	3 409 42	3 429 42	400
1	3 409 43	3 429 43	500
Height 50 mm			
1	3 409 44	3 429 44	50
1	3 408 30	3 428 30	75
1	3 409 45	3 429 45	100
1	3 409 46	3 429 46	150
1	3 409 47	3 429 47	200
1	3 409 48	3 429 48	300
1	3 409 49	3 429 49	400
1	3 409 50	3 429 50	500
1	3 409 51	3 429 51	600
Height 75 mm			
1	3 409 52	3 429 52	75 ⁽¹⁾
1	3 409 53	3 429 53	100 ⁽¹⁾
1	3 409 54	3 429 54	150 ⁽¹⁾
1	3 409 55	3 429 55	200 ⁽¹⁾
1	3 409 56	3 429 56	300 ⁽¹⁾
1	3 409 57	3 429 57	400 ⁽¹⁾
1	3 409 58	3 429 58	500 ⁽¹⁾
1	3 409 59	3 429 59	600 ⁽¹⁾
Height 100 mm			
1	3 409 60	3 429 60	100
1	3 409 61	3 429 61	150
1	3 409 62	3 429 62	200
1	3 409 63	3 429 63	300
1	3 409 64	3 429 64	400
1	3 409 65	3 429 65	500
1	3 505 12	3 505 15	600

1: 304L finish available on request

Covers for 45° flat bends

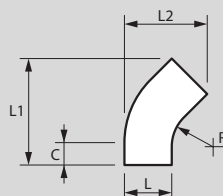


Pack	Cat.Nos		For ZF31 width:
	GS	HDG	
18	3 408 70	3 428 70	50
8	3 408 71	3 428 71	75
28	3 408 72	3 428 72	100
12	3 408 73	3 428 73	150
10	3 408 74	3 428 74	200
10	3 408 75	3 428 75	300
1	3 408 76	3 428 76	400
1	3 408 77	3 428 77	500
8 1	3 408 78	3 433 23	600

45° flat bends and covers

plain bases - technical characteristics

Dimensions (mm)



H (mm)	L (mm)	R (mm)	L1 (mm)	L2 (mm)	C (mm)	Weight (kg)	Weight with cover (kg)
27	50	20	120	85	30	0.09	0.14
27	77	100	176	126	30	0.20	0.31
27	100	100	194	151	30	0.24	0.39
27	150	100	229	201	30	0.32	0.60
27	200	100	264	251	30	0.44	0.84
27	300	100	334	351	30	0.70	1.41
27	400	150	474	479	50	1.34	2.46
27	500	150	575	579	50	1.87	3.38
50	50	20	120	85	30	0.19	0.25
50	77	100	140	140	30	0.22	0.39
50	100	100	194	151	30	0.29	0.47
50	150	100	229	201	30	0.39	0.67
50	200	100	264	251	30	0.51	0.91
50	300	100	334	251	30	0.81	1.46
50	400	150	474	479	50	1.60	2.71
50	500	150	545	579	50	2.11	3.62
50	600	150	616	679	50	2.62	4.50
77	77	100	176	126	30	0.42	0.54
77	100	100	194	151	30	0.49	0.67
77	150	100	229	201	30	0.62	0.90
77	200	100	264	251	30	0.80	1.20
77	300	100	334	351	30	1.15	1.80
77	400	150	474	479	50	1.76	2.87
77	500	150	545	579	50	2.29	3.81
77	600	150	616	679	50	2.80	4.69
100	100	100	193	151	30	0.43	0.61
100	150	100	228	201	30	0.55	0.83
100	200	100	263	251	30	0.68	1.08
100	300	100	334	351	30	1.01	1.66
100	400	150	474	479	50	1.90	3.00
100	500	150	545	579	50	2.44	3.95
100	600	150	616	679	50	3.14	4.40

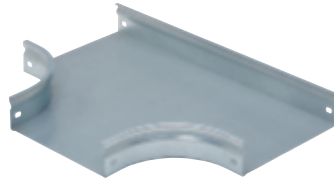
Flat tees and covers

plain bases

Flat tees

25 -> 100 mm

50 -> 600 mm



3 411 06

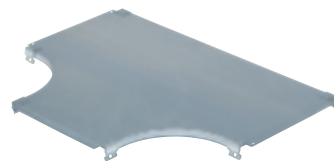
Couplers not included
For use with connection kits (p. 12)

Pack	Cat.Nos		For ZF31 width:
	GS	HDG	Height 25 mm
1	3 410 95	3 430 95	50
1	3 410 96	3 430 96	75
1	3 410 97	3 430 97	100
1	3 410 98	3 430 98	150
1	3 410 99	3 430 99	200
1	3 411 00	3 431 00	300
1	3 411 01	3 431 01	400
1	3 411 02	3 431 02	500
4 1			Height 50 mm
1	3 411 03	3 431 03	50
1	3 408 99	3 428 99	75
1	3 411 04	3 431 04	100
1	3 411 05	3 431 05	150
1	3 411 06	3 431 06	200
1	3 411 07	3 431 07	300
1	3 411 08	3 431 08	400
1	3 411 09	3 431 09	500
1	3 411 10	3 431 10	600
			Height 75 mm
1	3 411 11	3 431 11	75 ⁽¹⁾
1	3 411 12	3 431 12	100 ⁽¹⁾
1	3 411 13	3 431 13	150 ⁽¹⁾
1	3 411 14	3 431 14	200 ⁽¹⁾
1	3 411 15	3 431 15	300 ⁽¹⁾
1	3 411 16	3 431 16	400 ⁽¹⁾
1	3 411 17	3 431 17	500
1	3 411 18	3 431 18	600
			Height 100 mm
1	3 411 19	3 431 19	100
1	3 411 20	3 431 20	150
1	3 411 21	3 431 21	200
1	3 411 22	3 431 22	300
1	3 411 23	3 431 23	400
1	3 411 24	3 431 24	500
1	3 410 08	3 505 17	600

1: 304L finish available on request

Covers for flat tees

50 -> 600 mm



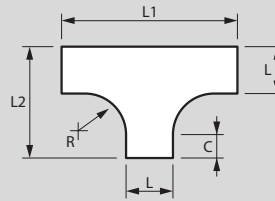
3 408 83

Pack	Cat.Nos		For ZF31 width:
	GS	HDG	
16	3 408 79	3 428 79	50
10	3 408 80	3 428 80	75
8	3 408 81	3 428 81	100
14	3 408 82	3 428 82	150
14	3 408 83	3 428 83	200
1	3 408 84	3 428 84	300
1	3 408 85	3 428 85	400
1	3 408 86	3 428 86	500
1	3 408 87	3 433 77	600

Flat tees and covers

plain bases - technical characteristics

■ Dimensions (mm)

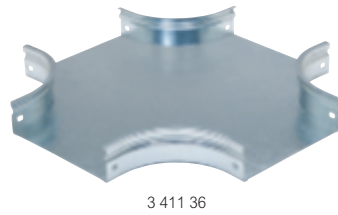
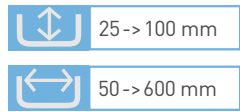


H (mm)	L (mm)	R (mm)	L1 (mm)	L2 (mm)	C (mm)	Weight (kg)	Weight with cover (kg)
27	50	20	150	100	30	0.19	0.28
27	77	100	335	205	30	0.67	1.15
27	100	100	360	230	30	0.76	1.34
27	150	100	410	280	30	0.93	1.76
27	200	100	460	330	30	1.16	2.29
27	300	100	560	430	30	1.16	3.46
27	400	150	800	600	50	2.67	5.97
27	500	150	900	700	50	3.38	7.26
50	50	20	150	100	30	0.26	0.34
50	77	100	333	204	30	0.71	1.15
50	100	100	360	230	30	0.79	1.29
50	150	100	410	280	30	1.06	1.78
50	200	100	460	330	30	1.37	2.41
50	300	100	560	430	30	2.11	3.95
50	400	150	800	600	50	4.48	7.78
50	500	150	900	700	50	4.67	8.47
50	600	150	1000	800	50	5.98	10.80
77	77	100	335	205	30	1.05	1.44
77	100	100	360	230	30	1.20	1.70
77	150	100	410	280	30	1.57	2.29
77	200	100	460	330	30	1.97	3.01
77	300	100	560	430	30	2.70	4.28
77	400	150	800	600	50	4.80	8.10
77	500	150	900	700	50	5.47	9.27
77	600	150	1000	800	50	6.85	11.72
100	100	100	360	230	30	1.19	1.69
100	150	100	410	280	30	1.49	2.21
100	200	100	460	330	30	1.79	2.83
100	300	100	560	430	30	2.59	4.43
100	400	150	800	600	50	4.96	8.26
100	500	150	900	700	50	5.64	9.44
100	600	150	1000	800	50	6.6	11.80

Flat crosses and covers

plain bases

Flat crosses



Couplers not included
For use with connection kits (p. 12)

Pack	Cat.Nos		For ZF31 width:
	GS	HDC	Height 25 mm
1	3 411 25	3 431 25	50
1	3 411 26	3 431 26	75
1	3 411 27	3 431 27	100
1	3 411 28	3 431 28	150
1	3 411 29	3 431 29	200
1	3 411 30	3 431 30	300
1	3 411 31	3 431 31	400
1	3 411 32	3 431 32	500
			Height 50 mm
2 1	3 411 33	3 431 33	50
1	3 410 02	3 428 99	75
1	3 411 34	3 431 34	100
1	3 411 35	3 431 35	150
1	3 411 36	3 431 36	200
1	3 411 37	3 431 37	300
1	3 411 38	3 431 38	400
1	3 411 39	3 431 39	500
1	3 411 40	3 431 40	600
			Height 75 mm
1	3 411 41	3 431 41	75 ⁽¹⁾
1	3 411 42	3 431 42	100 ⁽¹⁾
1	3 411 43	3 431 43	150 ⁽¹⁾
1	3 411 44	3 431 44	200 ⁽¹⁾
1	3 411 45	3 431 45	300 ⁽¹⁾
1	3 411 46	3 431 46	400 ⁽¹⁾
1	3 411 47	3 431 47	500
1	3 411 48	3 431 48	600
			Height 100 mm
1	3 411 49	3 431 49	100
1	3 411 50	3 431 50	150
1	3 411 51	3 431 51	200
1	3 411 52	3 431 52	300
1	3 411 53	3 431 53	400
1	3 411 54	3 431 54	500
1	3 410 67	3 505 21	600

1: 304L finish available on request

Covers for flat crosses

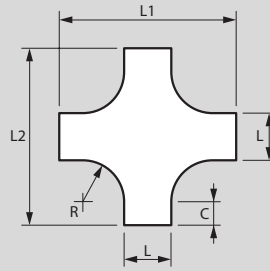


Pack	Cat.Nos		For ZF31 width:
	GS	HDC	
6	3 407 48	3 427 48	50
14	3 407 49	3 427 49	75
14	3 407 58	3 427 58	100
14	3 407 59	3 427 59	150
8	3 407 68	3 427 68	200
1	3 407 69	3 427 69	300
1	3 407 78	3 427 78	400
1	3 407 79	3 427 79	500
1	3 407 88	3 433 86	600

Flat crosses and covers

plain bases - technical characteristics

Dimensions (mm)

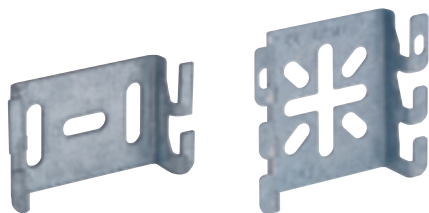


H (mm)	L (mm)	R (mm)	L1 (mm)	L2 (mm)	C (mm)	Weight (kg)	Weight with cover (kg)
27	50	20	150	150	30	0.37	0.36
27	77	100	335	335	30	0.82	1.32
27	100	100	360	360	30	0.89	1.54
27	150	100	410	410	30	1.05	2.10
27	200	100	460	460	30	1.31	2.56
27	300	100	560	560	30	1.82	3.87
27	400	150	800	800	50	3.45	6.81
27	500	150	900	900	50	5.00	9.42
50	50	20	150	150	30	0.31	0.40
50	77	100	333	333	30	0.99	1.58
50	100	100	360	360	30	1.09	1.71
50	150	100	410	410	30	1.45	2.38
50	200	100	460	460	30	1.86	3.11
50	300	100	560	560	30	2.81	4.86
50	400	150	800	800	50	4.62	8.06
50	500	150	900	900	50	5.96	10.48
50	600	150	1000	1000	50	7.48	13.22
77	77	100	335	335	30	1.27	1.77
77	100	100	360	360	30	1.42	2.04
77	150	100	410	410	30	1.77	2.70
77	200	100	460	460	30	2.18	3.43
77	300	100	560	560	30	3.13	5.18
77	400	150	800	800	50	4.91	8.35
77	500	150	900	900	50	6.25	10.77
77	600	150	1000	1000	50	7.77	13.51
100	100	100	360	360	30	1.42	2.04
100	150	100	410	410	30	1.78	2.71
100	200	100	460	460	30	2.19	3.44
100	300	100	560	560	30	3.14	5.19
100	400	150	800	800	50	5.07	8.43
100	500	150	900	900	50	6.39	10.81
100	600	150	1000	1000	50	7.88	13.70

Wall mounting brackets

light and medium loads

CM50 - CM50 XL brackets



5 860 60

5 861 30

If CM50 and CM50 XL brackets are used for wall mounting, clip-on covers cannot be used (p. 14)
The CM 50 XL bracket can also be used for floor mounting or for mounting a junction box

Pack	Cat.Nos			Designation	Load (daN)
	GS	HDG	316L		
	Cablofil				
25	5 860 60	5 860 63	5 860 64	CM50	100
25	5 861 30	5 861 33	5 861 34	CM50 XL	100

CEQ brackets



5 573 00

To be used with MCO Cat.No 3 485 17 for suspended mounting

Pack	Cat.Nos		Designation	Load (daN)
	GS	HDG		
	Cablofil			
25	5 573 00	5 573 03	CEQ	12

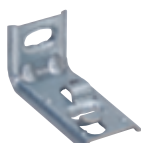
CAQ brackets



5 573 10

Pack	Cat.Nos		Designation	Load (daN)
	GS	HDG		
	Cablofil			
25	5 573 10	5 573 13	CAQ50	46

MCO brackets



3 485 17

Mini-brackets for wire mesh cable trays 25/50, 25/75, 50/50, 50/75 and 75/75

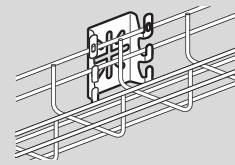
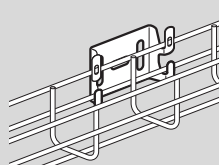
Pack	Cat. No.	Designation	Load (daN)
	PG		
	Cablofil		
50	3 485 17	MCO	20

Wall mounting brackets

light and medium loads - technical characteristics

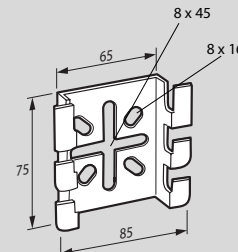
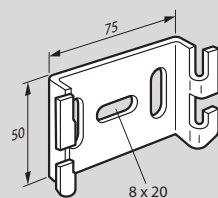
CM50 and CM50 XL brackets

Mounting and dimensions (mm)

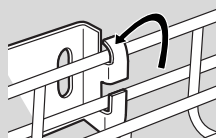


CM50

CM50XL

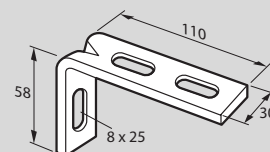
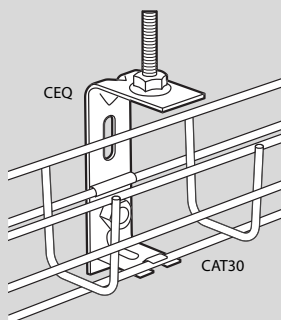


Mounting principle



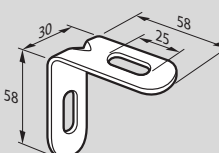
CEQ brackets

Mounting and dimensions (mm)



CAQ brackets

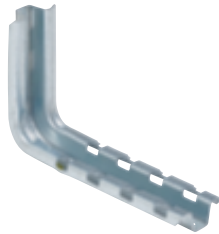
Dimensions (mm)



Wall mounting brackets

light and medium loads (continued)

CSN Auto brackets



5 561 20

For wall mounting
Can also be fixed on:
- rail
- hanger

Pack	Cat.Nos		Designation	Load (daN)	L (mm)
	GS	HDG			
	Cablofil				
5	5 561 00	5 561 03	CSN Auto 100	130	178
5	5 561 10	5 561 13	CSN Auto 150	110	228
5	5 561 20	5 561 23	CSN Auto 200	85	278
20	5 561 30	5 561 33	CSN Auto 300	73	378
10	5 561 40	5 561 43	CSN Auto 400	56	478
8	5 561 50	5 561 53	CSN Auto 450	50	528

CSNC brackets



5 563 20

Can also be fixed on:
- rail
- hanger

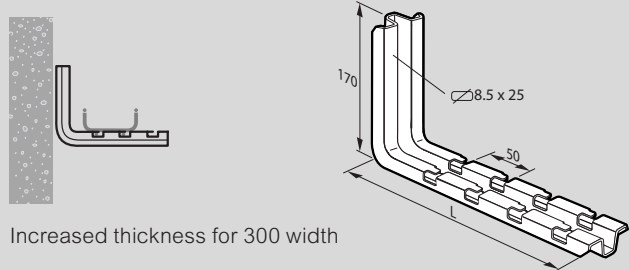
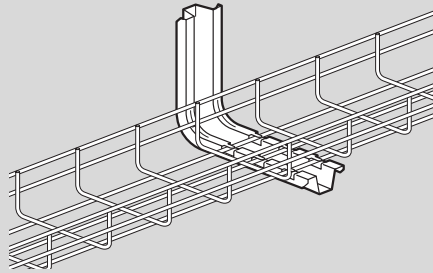
Pack	Cat.Nos		Designation	Load (daN)	L1 (mm)	L2 (mm)
	GS	HDG				
	Cablofil					
10	5 563 00	5 563 03	CSNC 100	120	170	178
10	5 563 10	5 563 13	CSNC 150	100	170	228
10	5 563 20	5 563 23	CSNC 200	80	170	278
10	5 563 30	5 563 33	CSNC 300	70	288	378
4	5 563 40	5 563 43	CSNC 400	48	288	478
4	5 563 50	5 563 53	CSNC 450	44	288	528

Wall mounting brackets

light and medium loads - technical characteristics (continued)

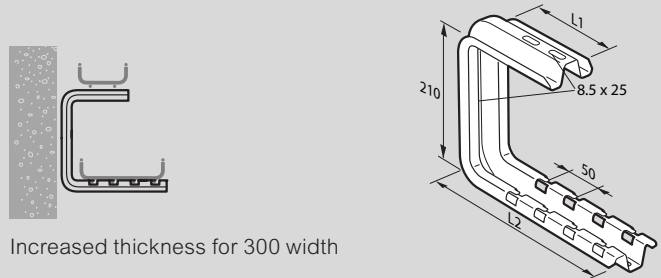
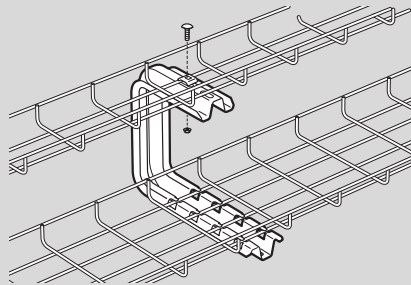
CSN Auto brackets

Mounting and dimensions (mm)



CSNC brackets

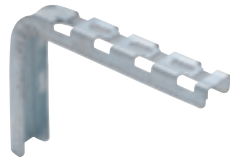
Mounting and dimensions (mm)



Wall mounting brackets

light and medium loads (continued)

CLN brackets



5 562 20



Can also be fixed on hanger

Pack	Cat.Nos		Designation	Load (daN)	L (mm)
	GS	HDG			
	Cablofil				
20	5 562 00	5 562 03	CLN100	95	100
20	5 562 10	5 562 13	CLN150	70	150
20	5 562 20	5 562 23	CLN200	40	200
20	5 562 30	5 562 33	CLN300	25	300

CL brackets

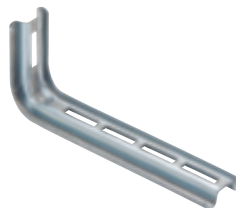


5 221 40

Can also be fixed on hanger

Pack	Cat.Nos		Designation	Load (daN)	L (mm)	H (mm)
	GS	HDG				
	Cablofil					
30	5 221 40	5 221 41	CL 150	65	167	83
20	5 572 80	5 572 83	CL 200	42	247	83
20	5 221 42	5 221 43	CL 250	42	203	243
20	5 572 90	5 572 93	CL 300	35	327	123
30	5 221 44	5 221 45	CL 350	30	383	363

CS brackets



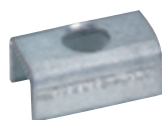
0 027 10

Can also be fixed on hanger

Fix on support with ECLI spacer (to be ordered separately)

Pack	Cat.Nos		Designation	Load (daN)	L (mm)
	GS	HDG			
	Cablofil				
5	0 027 00	0 027 03	CS 100	72	168
5	0 027 10	0 027 13	CS 200	67	260
5	0 027 20	0 027 23	CS 300	70	360

ECLI spacer



5 571 90

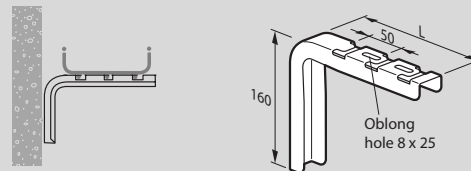
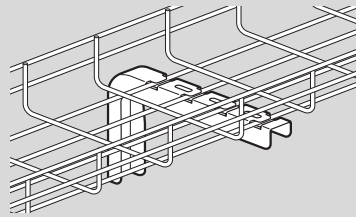
Pack	Cat.Nos		Designation
	GS	HDG	
	Cablofil		
10	5 571 90	5 571 93	ECLI spacer

Wall mounting brackets

light and medium loads - technical characteristics (continued)

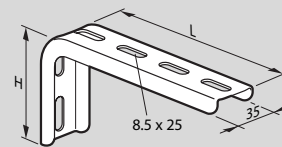
CLN brackets

Mounting and dimensions (mm)



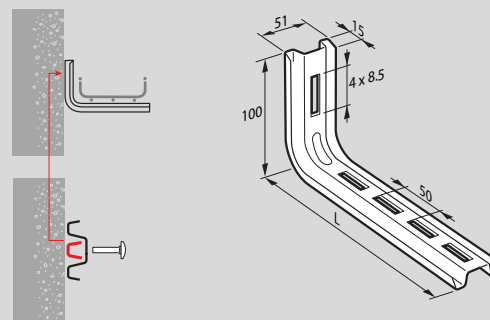
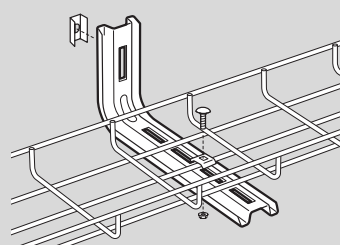
CL brackets

Dimensions (mm)



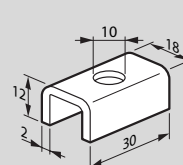
CS brackets

Mounting and dimensions (mm)



ECLI spacer

Dimensions (mm)



Wall mounting brackets

light and medium loads (continued)

CB brackets



3 508 30

Can also be fixed on hanger or on EDF ladder
Cable tray fixed using folding lugs

Pack	Cat.Nos		Designation	Load (daN)	L (mm)	H (mm)
	GS	HDG				
	Legrand					
1	3 508 00	3 508 03	CB50GS	115	80.7	71.4
1	3 508 10	3 508 13	CB100GS	115	130.7	71.4
1	3 508 20	3 508 23	CB150GS	115	180.7	74.8
1	3 508 30	3 508 33	CB200GS	115	230.7	74.8
1	3 508 40	3 508 43	CB300GS	120	334.7	88.4
1	3 508 50	3 508 53	CB400GS	120	434.7	102

C brackets



5 570 20

Can also be fixed on EDF ladder

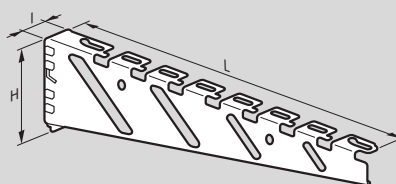
Pack	Cat.Nos		Designation	Load (daN)	L (mm)	H (mm)
	GS	HDG				
	Cablofil					
20	5 570 10	5 570 13	C100	260	140	83.5
4	5 570 20	5 570 23	C200	210	220	83.5
10	5 570 30	5 570 33	C300	190	340	84.5
10	5 570 40	5 570 43	C400	170	460	84.5
8	5 570 50	5 570 53	C500	160	555	96.0
8	5 570 60	5 570 63	C600	150	640	108.5

Wall mounting brackets

light and medium loads - technical characteristics (continued)

CB brackets

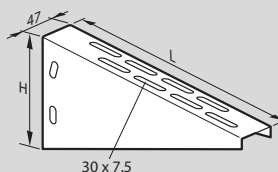
Dimensions (mm)



Cat.Nos	L (mm)	H (mm)	W (mm)
3 508 00 3 508 03	80.7	71.4	40.9
3 508 10 3 508 13	130.7	71.4	40.9
3 508 20 3 508 23	180.7	74.8	40.9
3 508 30 3 508 33	230.7	74.8	40.9
3 508 40 3 508 43	334.7	88.4	41.6
3 508 50 3 508 53	434.7	102	41.6

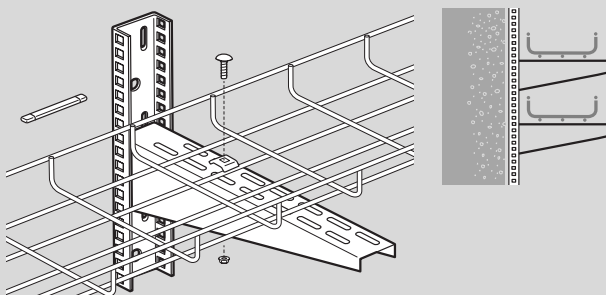
C brackets

Dimensions (mm)



Cat.Nos	L (mm)	H (mm)
5 570 10 5 570 13	140	83.5
5 570 20 5 570 23	220	83.5
5 570 30 5 570 33	340	84.5
5 570 40 5 570 43	460	84.5
5 570 50 5 570 53	555	96.0
5 570 60 5 570 63	640	108.5

Mounting



Wall mounting brackets

light and medium loads (continued)

SI bracket flange



5 611 00

Can be tilted (+50°/-30°)

Can also be fixed on:

- bracket
- EDF ladder

Pack	Cat.Nos	Designation
	GS HDC	
	Cablofil	
10	5 611 00 5 611 03	SI bracket flange

Torque (daN)

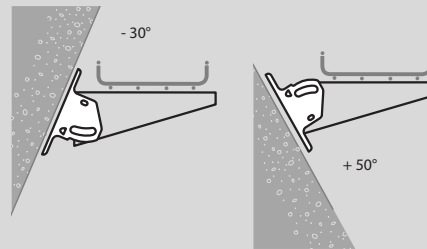
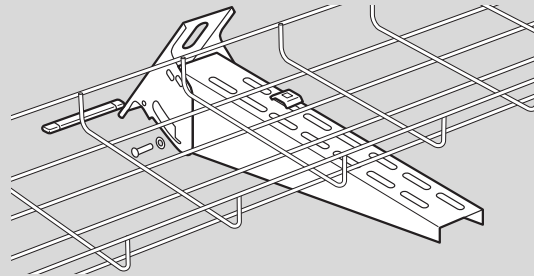
12

Wall mounting brackets

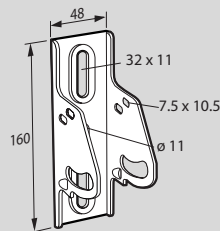
light and medium loads - technical characteristics (continued)

SI bracket flange

Mounting principle



Dimensions (mm)



Wall mounting brackets

for heavy loads

CC21S curved brackets



5 578 70

Can also be fixed on:
- rail
- hanger

Pack	Cat.Nos	Designation	Load (daN)	L (mm)
	GS			
	Cablofil			
10	5 578 60	CC21S150	135	150
10	5 578 70	CC21S200	108	200
10	5 578 80	CC21S300	80	300
10	5 578 90	CC21S400	92	400

C21S brackets



5 970 23

Can also be fixed on:
- rail
- hanger

Pack	Cat.Nos	Designation	Load (daN)	L (mm)
	HDG			
	Cablofil			
24	5 970 13	C21S150	250	150
24	5 970 23	C21S200	180	200
20	5 970 33	C21S300	130	300
16	5 970 43	C21S400	100	400

Fastrut clip p. 34

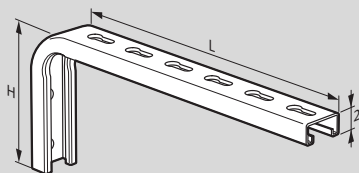
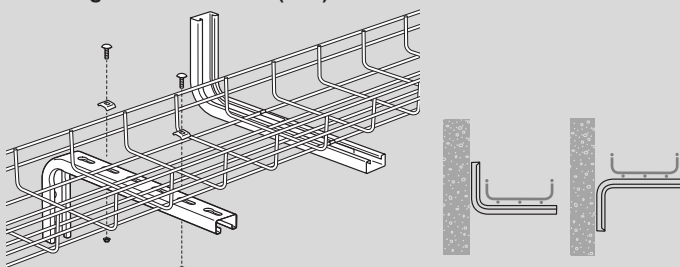


Wall mounting brackets

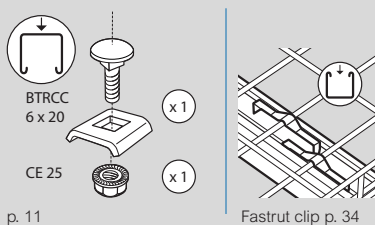
for heavy loads - technical characteristics

CC21S curved brackets

Mounting and dimensions (mm)

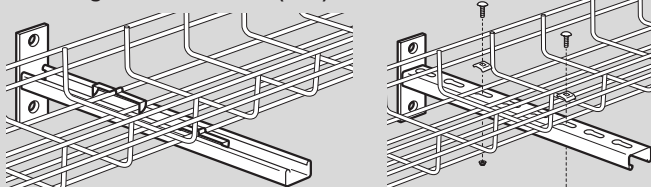


Fixing



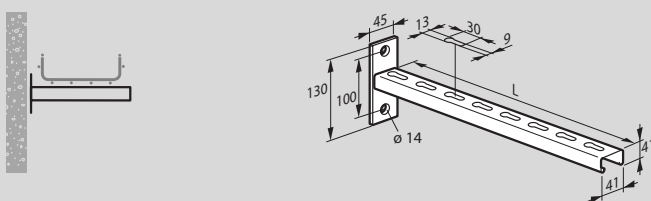
C21S brackets

Mounting and dimensions (mm)

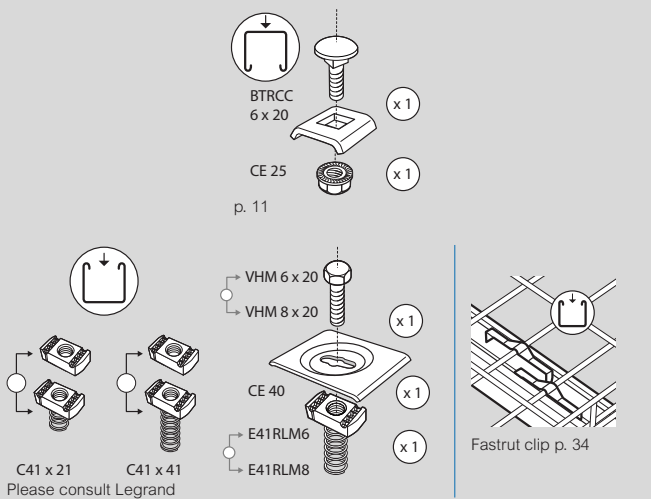


Fastrut clip p. 34

BTRCC 6 x 20 + CE 25 p. 11



Fixing



Wall mounting brackets

for heavy loads (continued)

C41S brackets

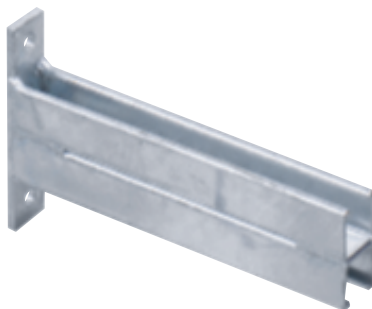


5 950 23

Can also be fixed on:
- rail
- hanger

Pack	Cat.Nos	Designation	Load (daN)	L (mm)
	HDG			
	Cablofil			
20	5 950 13	C41S150	500	150
20	5 950 23	C41S200	450	200
16	5 950 33	C41S300	340	300
12	5 950 43	C41S400	270	400
8	5 950 53	C41S500	270	500
8	5 950 63	C41S600	220	600

C41D brackets

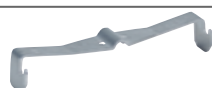


5 960 33

Can also be fixed on:
- rail
- hanger

Pack	Cat.Nos	Designation	Load (daN)	L (mm)
	HDG			
	Cablofil			
8	5 960 33	C41D300	520	300
4	5 960 43	C41D400	430	400
4	5 960 53	C41D500	430	500
4	5 960 63	C41D600	400	600

 Fastrut clip p. 34

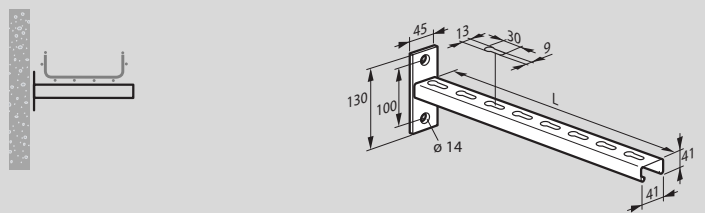
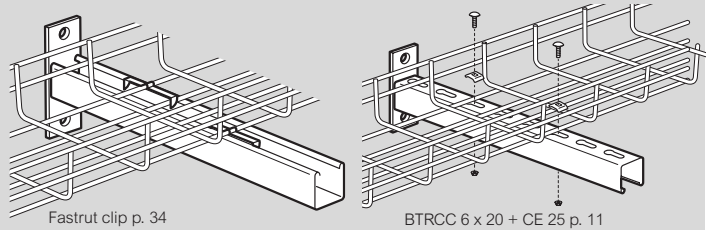


Wall mounting brackets

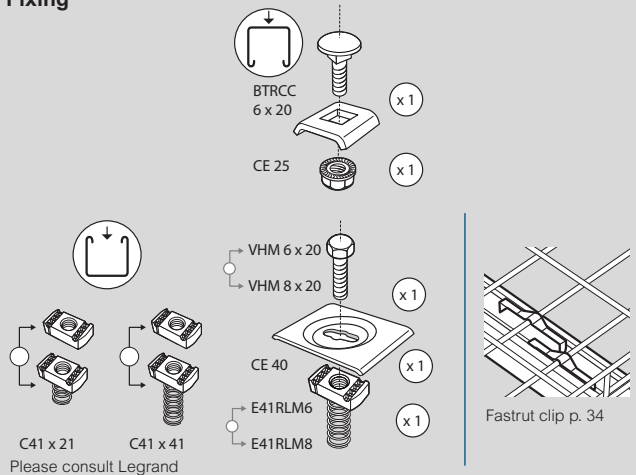
for heavy loads - technical characteristics (continued)

C41S brackets

Mounting and dimensions (mm)

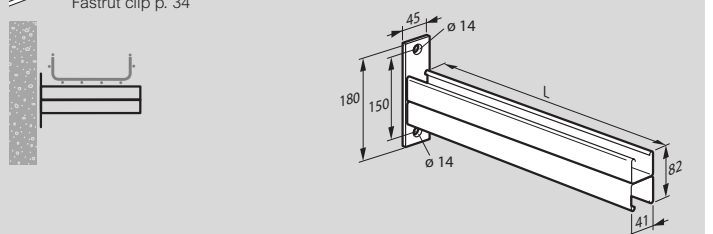
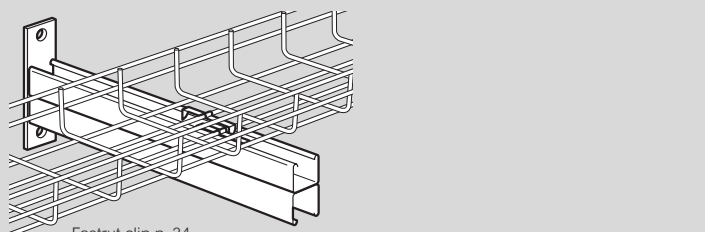


Fixing

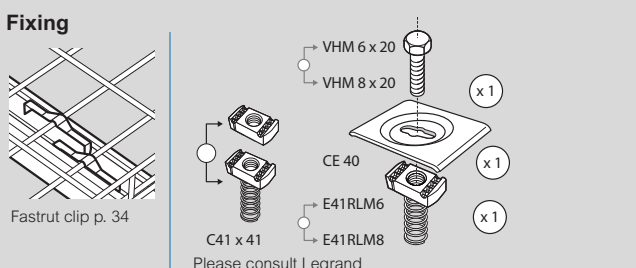


C41D brackets

Mounting and dimensions (mm)



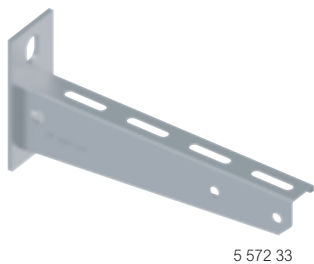
Fixing



Wall mounting brackets

for heavy loads (continued)

CRP brackets



5 572 33

Can also be fixed on threaded rod

Pack	Cat.Nos	Designation	Load (daN)	L (mm)	H (mm)
	HDG				
	Cablofil	CRP brackets			
1	5 572 13	CRP100X	220	115	93
1	5 572 33	CRP200	200	215	93
1	5 572 43	CRP300	260	315	93
1	5 572 53	CRP400	260	415	121
1	5 572 63	CRP500	260	515	121
1	5 572 73	CRP600	320	625	138
1	5 573 83	CRP700	320	725	146
		CRP clip			
1	5 572 03	CRP clip for mounting on 100 mm IPN and IPE beams (max. capacity 50 mm)			

Fastrut clip



5 990 07

For screw-free fixing of wire mesh cable trays on 21 and 41 rails and brackets

Provide 2 FS41 clips per bracket

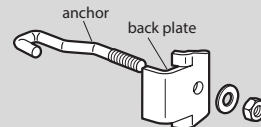
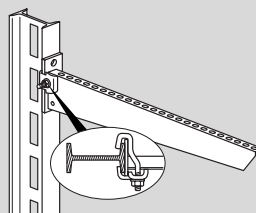
Pack	Cat. No.	Designation	L (mm)
	DC		
	Cablofil		
50	5 990 07	FS41 clip	73

Wall mounting brackets

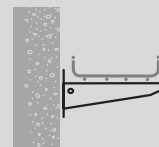
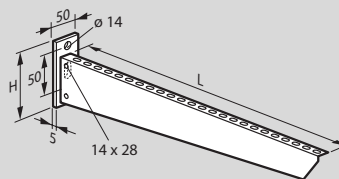
for heavy loads - technical characteristics (continued)

CRP brackets

Mounting and dimensions (mm)

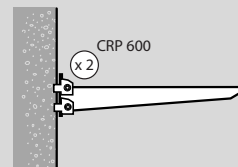
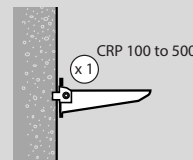


CRP clip Cat. No. 5 572 03



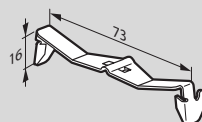
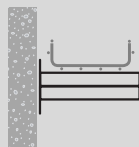
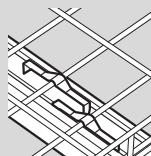
Fixing the cable tray

Cat.Nos	Number of CRP clips
5 572 13	1
5 572 33	1
5 572 43	1
5 572 53	1
5 572 63	1
5 572 73	2
5 572 83	2



Fastrut clip

Mounting and dimensions (mm)



Wall mounting rails and supports

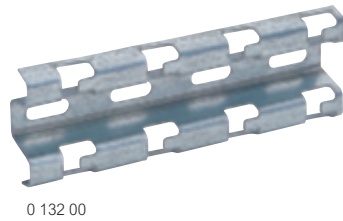
edgewise mounting or upward vertical runs

RCSN rails



FASLOT
FAST ASSEMBLING SYSTEM

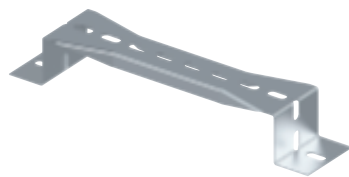
Can also be fixed on a sling



0 132 00

Pack	Cat.Nos		Designation	Load (daN)	L (mm)
	GS	HDG			
	Cablofil				
10	0 131 50	0 131 53	RCSN150	100	150
10	0 132 00	0 132 03	RCSN200	100	200
10	0 133 00	0 133 03	RCSN300	100	300
10	0 134 00	0 134 03	RCSN400	100	400
10	0 135 00	0 135 03	RCSN500	100	500
20	0 135 50	0 135 53	RCSN550	100	550
10	0 136 00	0 136 03	RCSN600	100	600
1	0 130 10	0 130 13	RCSN1000	100	1000
1	0 130 20	0 130 23	RCSN2000	100	2000
1	0 130 30	0 130 33	RCSN3000	100	3000

SVR reinforced vertical supports

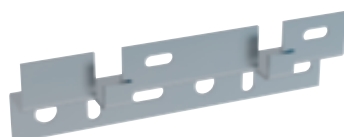


2 723 40

Can be installed on the floor

Pack	Cat.Nos		Designation	Load (daN)	L (mm)
	GS	HDG			
	Cablofil				
10	2 723 00	2 723 03	SV50	60	60
10	2 723 10	2 723 13	SV75	60	85
10	2 723 20	2 723 23	SVR100	70	110
10	2 723 30	2 723 33	SVR150	70	160
10	2 723 40	2 723 43	SVR200	70	210
10	2 723 60	2 723 63	SVR300	70	310
10	2 723 70	2 723 73	SVR400	70	410
5	2 723 80	2 723 83	SVR500	70	510

FV1 mounting bracket



5 860 70

For upward vertical runs of wire mesh cable trays
(from 150 width)

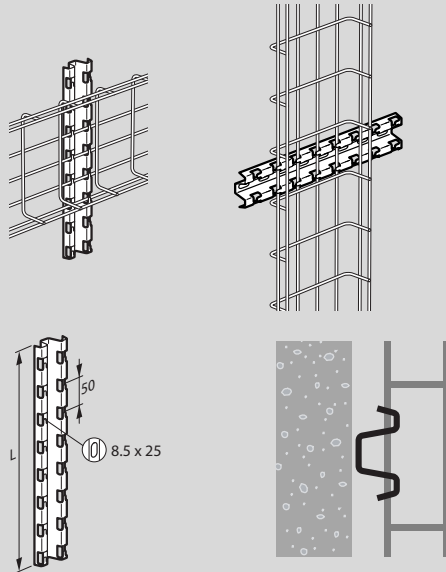
Pack	Cat.Nos		Designation	Load (daN)
	GS	HDG		
	Cablofil			
5	5 860 70	5 860 73	FV1	100

Wall mounting rails and supports

edgewise mounting or upward vertical runs - technical characteristics

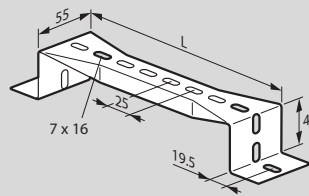
RCSN rails

Mounting and dimensions (mm)



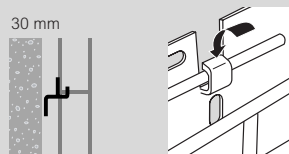
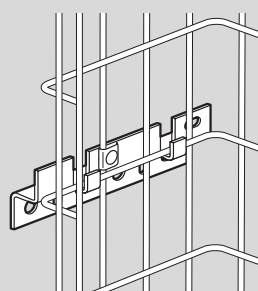
SVR reinforced vertical supports

Dimensions (mm)

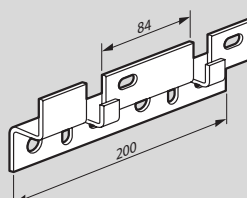


FV1 mounting bracket

Mounting



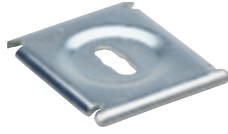
Dimensions (mm)



Ceiling mounting suspension accessories

central suspension

CE 35 and CE 40 hold down clamps

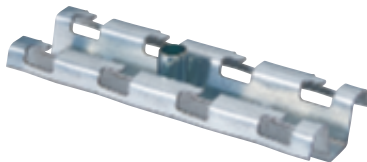


5 580 51

Can also be fixed on threaded rod

Pack	Cat.Nos	Designation	Load (daN)
	EZ HDC		
	Cablofil		
50	5 581 80 5 581 37	CE 35	-
25	5 580 51 5 580 53	CE 40	100

SCF central hangers



5 862 00



5 862 10

For central suspension using threaded rod (Ø 8 to 12 mm) + nuts and flanged lock nuts, supplied with a tube for inserting the threaded rod
Can also be fixed on threaded rod

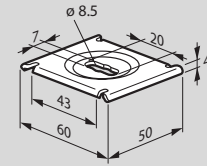
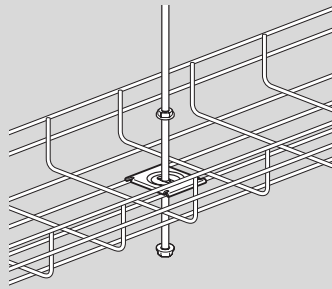
Pack	Cat.Nos	Designation	Load (daN)	L (mm)
	GS			
	Cablofil			
	Hangers			
10	5 862 00	SCF200	200	194
10	5 863 00	SCF300	160	294
10	5 864 00	SCF400	140	394
10	5 865 00	SCF500	120	494
15	5 866 00	SCF600	100	594
	Plate			
50	5 862 10	PFSCF - Plate		100
	Extensions		H1 (mm)	
50	5 868 10	EXT-SCF50	50	
100	5 868 20	EXT-SCF100	100	
50	5 868 30	EXT-SCF150	150	
50	5 868 40	EXT-SCF300	325	

Ceiling mounting suspension accessories

central suspension - technical characteristics

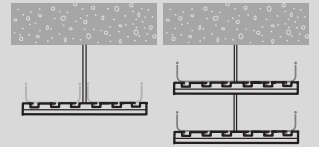
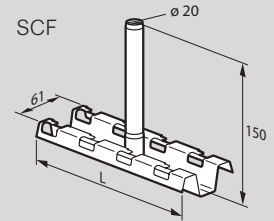
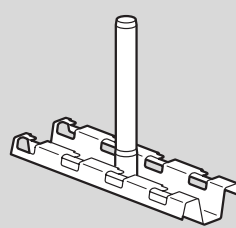
CE 40 hold down clamp

Mounting and dimensions (mm)

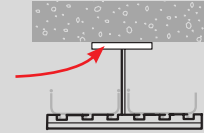
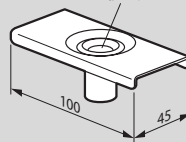


SCF central hangers

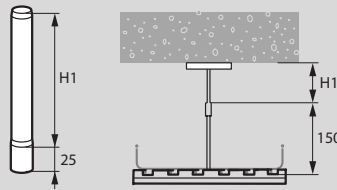
Mounting and dimensions (mm)



PFSCF



EXT-SCF



Ceiling mounting suspension accessories central suspension (continued)

UCS universal central suspension



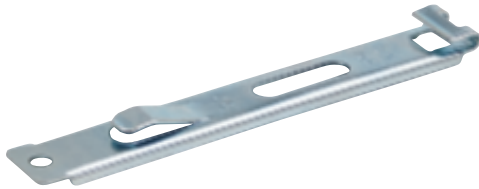
5 861 50

For creating short double hanger
Fixing RCSN and R21S rails using 8 x 15 BTRL fastener

Pack	Cat.Nos	Designation
	GS HDG	
	Cablofil	
20	5 861 50 5 861 53	UCS

Torque (daN.m)
18

SAS suspension hooks



5 860 31

Pack	Cat.Nos	Designation
	EZ HDG	
	Cablofil	
50	5 860 31 5 860 37	SAS

Load (daN)
60

AS suspension hooks



5 860 20

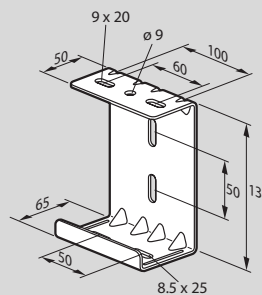
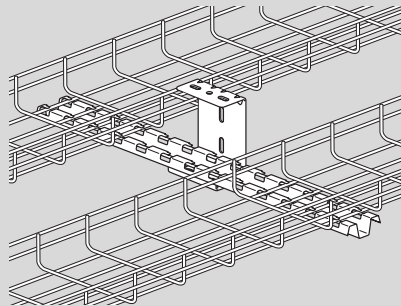
Pack	Cat.Nos	Designation
	GS HDG	
	Cablofil	
50	5 860 20 5 860 23	AS

Load (daN)
100

Ceiling mounting suspension accessories central suspension - technical characteristics (continued)

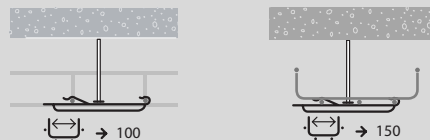
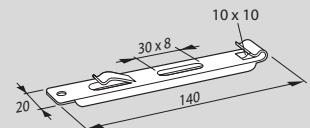
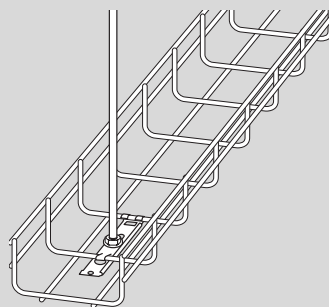
UCS universal central suspension

Mounting and dimensions (mm)



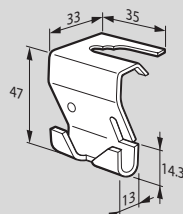
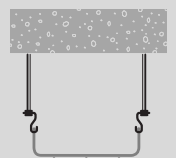
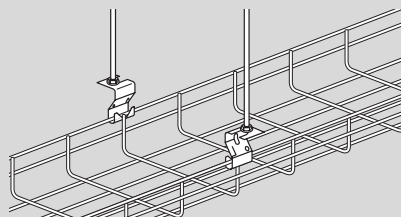
SAS suspension hooks

Mounting and dimensions (mm)



AS suspension hooks

Mounting and dimensions (mm)



Ceiling mounting brackets

ceiling brackets

CCP21S brackets



5 977 10

The 41 range, consisting of rails, brackets, hangers and connection accessories that are ideal for heavy loads. Can be used to build a large number of rigid and adaptable systems by simply bolting them together

Pack	Cat.Nos		Designation	Load (daN)	L1 (mm)	L2 (mm)
	GS	HDC				
	Cablofil					
15	5 977 00	5 977 03	CCP21S150	145	142	150
15	5 977 10	5 977 13	CCP21S200	125	142	200
10	5 977 20	5 977 23	CCP21S300	88	192	300
10	5 977 30	5 977 33	CCP21S400	92	242	500

CSC - CSCC brackets



0 027 70

Over 300 mm width, use CCP21S brackets

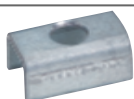
Can also be fixed on:

- wall
- hanger

For fixing on support with ECLI spacer, see p. 29

Pack	Cat.Nos		Designation	Load (daN)	L1 (mm)	L2 (mm)
	GS	HDC				
	Cablofil					
20	0 027 60	0 027 63	CSC 100	73	130	168
10	0 027 70	0 027 73	CSC 200	60	180	260
10	0 027 80	0 027 83	CSC 300	48	230	360
10	0 127 60	0 127 63	CSCC 100	73	130	168
10	0 127 70	0 127 73	CSCC 200	60	180	260
10	0 127 80	0 127 83	CSCC 300	48	230	360

ECLI spacer p. 29

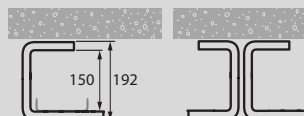
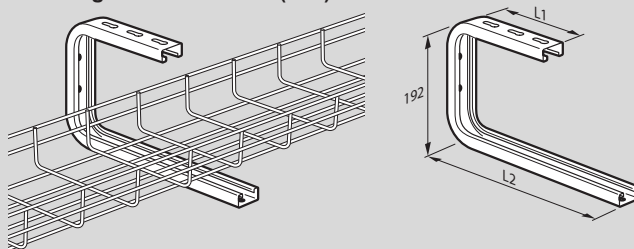


Ceiling mounting brackets

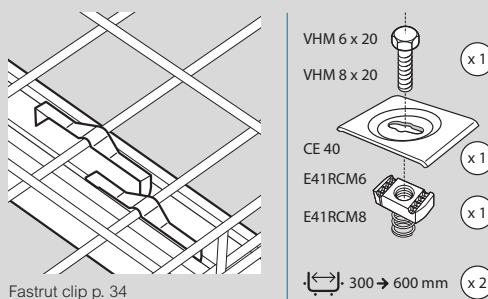
ceiling brackets - technical characteristics

CCP21S brackets

Mounting and dimensions (mm)



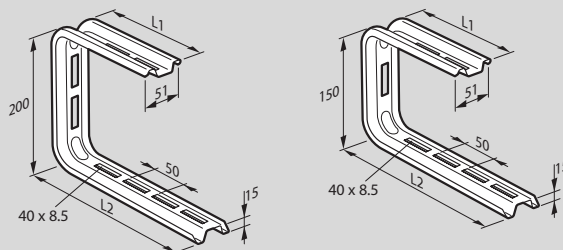
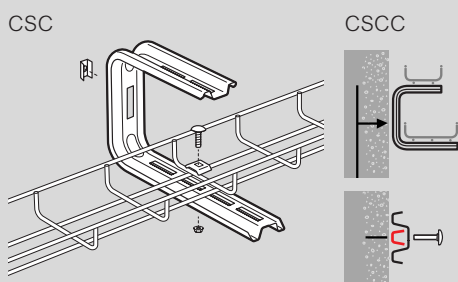
Fixing



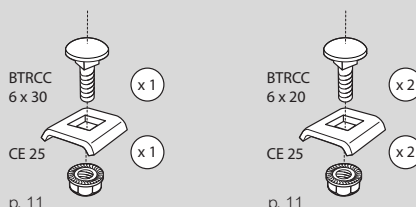
Fastrut clip p. 34

CSC - CSCC brackets

Mounting and dimensions (mm)



Fixing



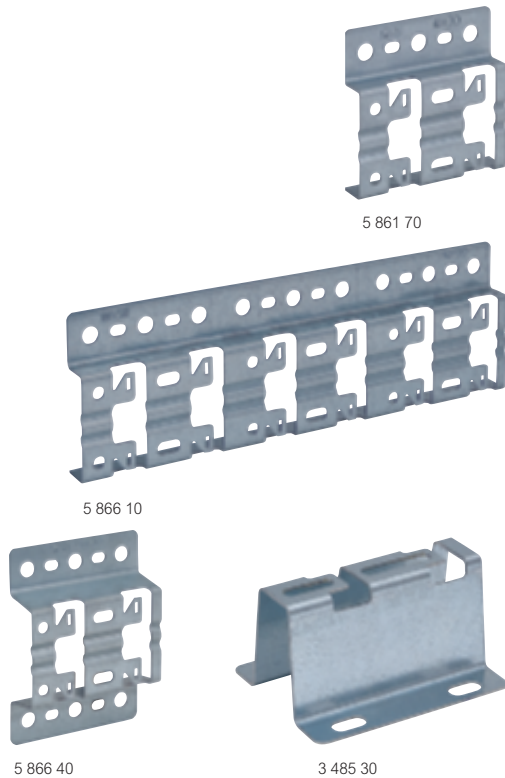
p. 11

p. 11

Various mounting types

floor mounting

Height spacers



R15-R25-R35: for screw-free floor mounting and coupling
 R50: for floor mounting
 The height spacers can also be used as wall fixings
 Fold down the pins when mounting
 For cable trays wider than 200, use R15/300, or R45s can be aligned end to end

Pack	Cat.Nos			Designation	Load (daN)
	GS	ZM	316L		
	Cablofil				
5	5 861 70	5 861 73	-	R15/100	50
5	5 866 10	5 866 17	-	R15/300	100
5	5 866 40	5 866 47	-	R25	50
5	5 866 50	5 866 57	-	R35	50
5	3 485 30	3 485 32	3 485 31	R50	150

UFC mounting accessory



5 592 20

For installing ZF31 profiles under raised access floors

Pack	Cat. No.	Designation
	GS	
	Cablofil	
1	5 592 20	UFC mounting accessory

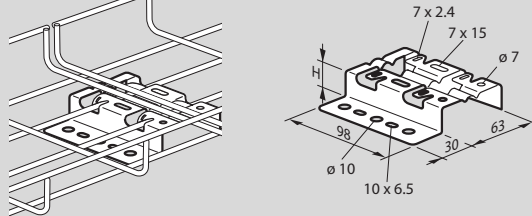
Various mounting types

floor mounting - technical characteristics

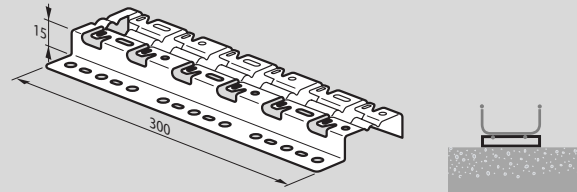
R15 to R45 height spacers

Mounting and dimensions (mm)

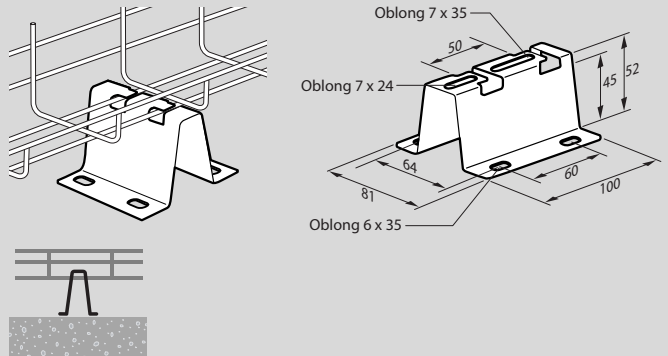
R15 - R25 - R35



R15/300

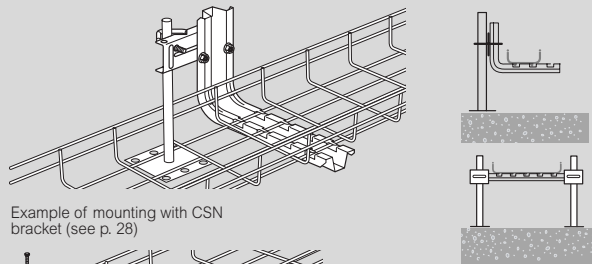


R50

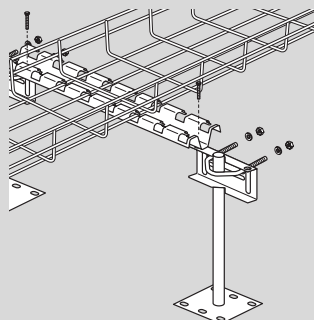


UFC mounting accessory

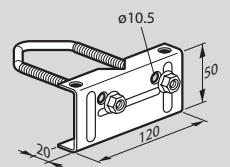
Mounting and dimensions (mm)



Example of mounting with CSN bracket (see p. 28)



Example of mounting with RCSN bracket (see p. 35)



Various mounting types

mounting on metal profile

Anchor lugs - fixing shim - clamps



5 590 63



5 593 01



5 590 43

Pack	Cat.Nos	Designation
	EZ HDG	
	Cablofil	
10	5 593 01	PA23 anchor lugs
20	-	5 590 63 CFU fixing shim
10	-	5 590 33 ET20 clamp
10	-	5 590 43 ET30 clamp

Load (daN)

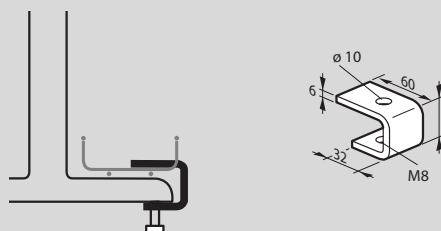
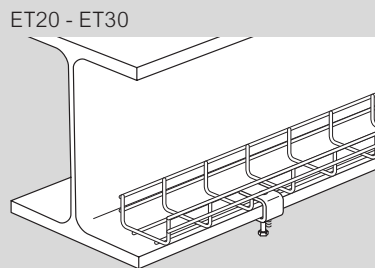
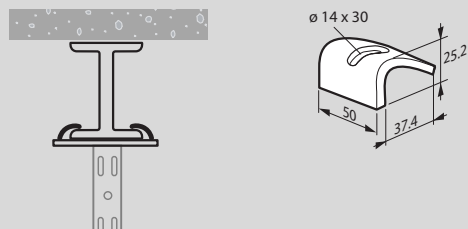
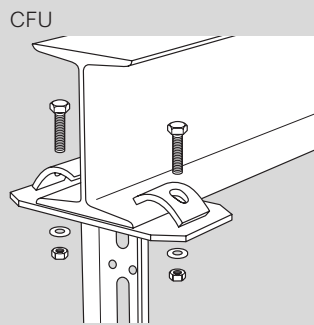
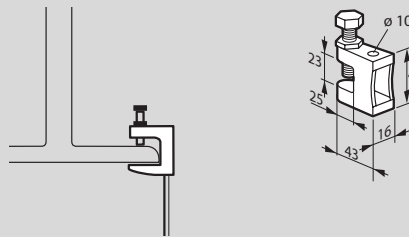
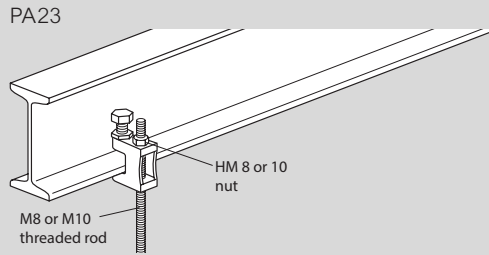
1000
850
-
-

Various mounting types

mounting on metal profile - technical characteristics

Anchor lugs - fixing shim - clamps

Mounting and dimensions (mm)

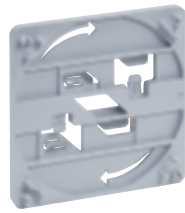


Supports for luminaires and junction boxes

Kits for fixing Plexo boxes



3 505 37

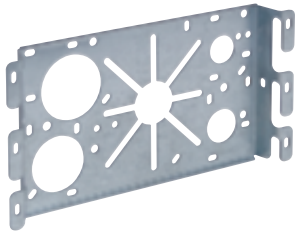


3 505 38

Quick clip-on fixing on the cable tray

Pack	Cat.Nos	Designation
	PLAST	
	Cablofil	
10	3 505 37	KITBP80 FIL/IBP80
10	3 505 38	KITBP105 FIL/IBP105

CM50XXL - CM50WL brackets



5 862 50



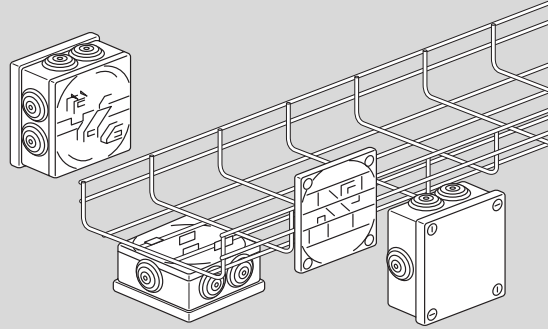
5 862 30

For fixing box or connector
Fold down the lugs when mounting

Pack	Cat.Nos	Designation	Torque (daN.m)
	GS ZM		
	Cablofil		
10	5 862 50 5 862 57	CM50XXL	25
25	5 862 30 5 862 37	CM50WL	25

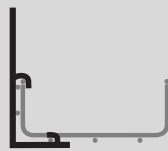
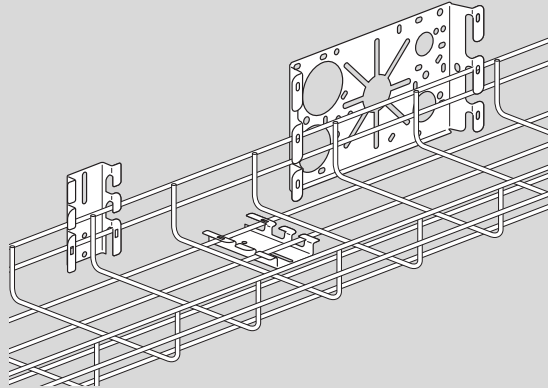
Supports for luminaires and junction boxes - technical characteristics

Kits for fixing Plexo boxes

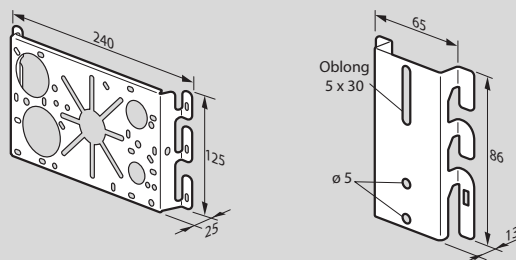


CM50XXL - CM50WL brackets

Mounting

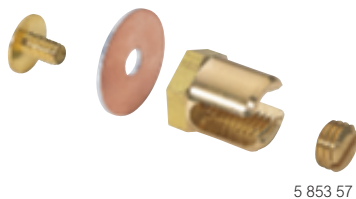


Dimensions (mm)



Equipotential bonding connectors

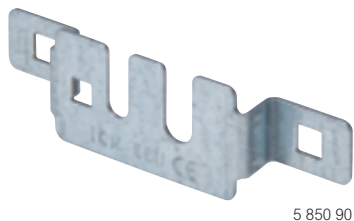
BLT brass terminals for protective conductors



16, 35 and 50 mm² bi-metal terminals
BLT: fix directly on sheet metal cable tray or on SBU support

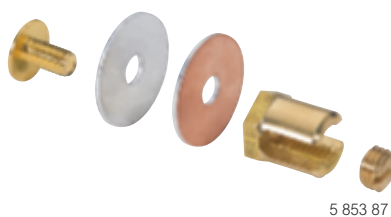
Pack	Cat.Nos	Designation	∅ (mm ²)	L (mm)
	CU			
	Cablofil			
10	5 853 57	BLT 6/16	16	22
10	5 853 67	BLT 6/35	35	24
10	5 853 77	BLT 6/50	50	26

SBU universal terminal supports



Pack	Cat.Nos	Designation
	GS HDG 316L	
	Cablofil	
10	5 850 90 5 850 93 5 850 94	SBU universal terminal support

BLF brass terminals for protective conductors



16, 35 and 50 mm² bi-metal terminals
BLF: fix directly on wire mesh cable tray

Pack	Cat.Nos	Designation	∅ (mm ²)	L (mm)
	CU			
	Cablofil			
10	5 853 87	BLF 8/16	16	22
10	5 853 97	BLF 8/35	35	24
10	5 854 07	BLF 8/50	50	26

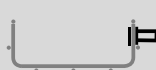
Equipotential bonding connectors

technical characteristics

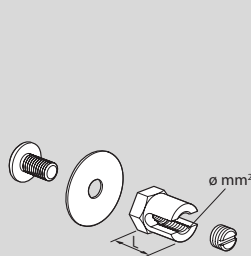
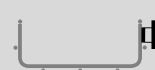
BLT brass terminals for protective conductors and SBU universal terminal supports

Mounting

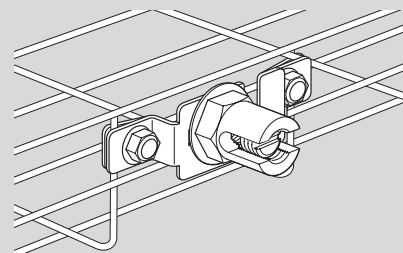
BLT



BLT + SBU



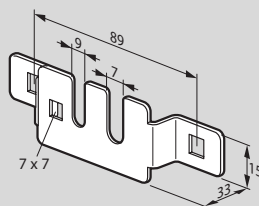
BLT



BLT + SBU

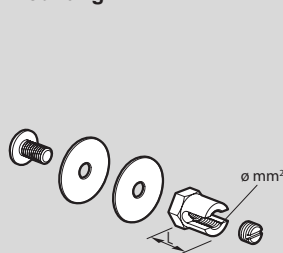
SBU universal terminal supports

Dimensions (mm)

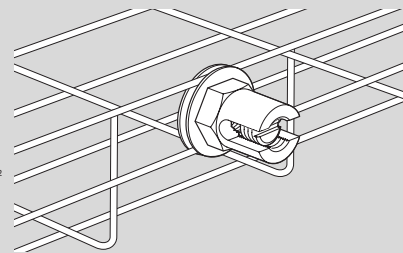


BLF brass terminals for protective conductors

Mounting



BLF



SBU + BLF

Equipotential bonding connectors (continued)

Equipotential connectors



5 853 27

Pack	Cat.Nos	Designation
	AL	
	Cablofil	
25	5 853 27	Grifequip for fitting the connector and the cablet at the same time
25	5 854 27	Grifequip2 for fitting the connector at the same time as the cable tray and installing the cablet ready for use

SCMT hook



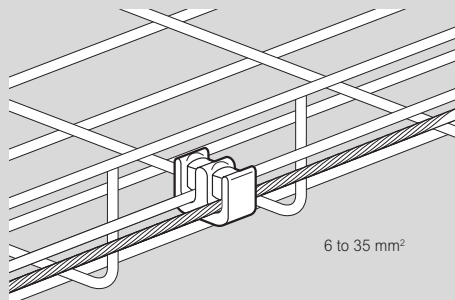
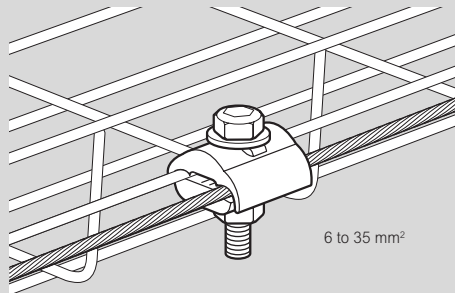
5 850 80

Pack	Cat. No.	Designation
	GS	
	Cablofil	
100	5 850 80	SCMT hook

Equipotential bonding connectors technical characteristics (continued)

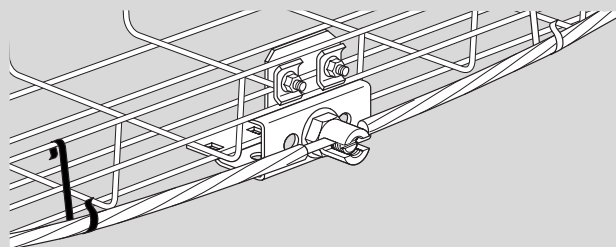
Equipotential connectors

Mounting



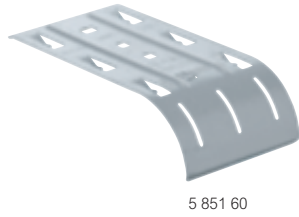
SCMT hook

Mounting



Wiring accessories

DEV 100 cable dropout plate

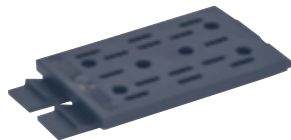


5 851 60

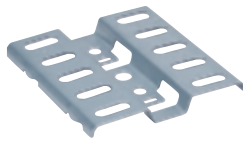
For cable exits
Clip onto Cablofil and Zedfil

Pack	Cat.Nos		Designation
	GS	ZM	
	Cablofil		
10	5 851 60	5 851 67	DEV100

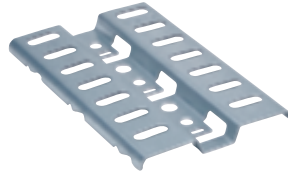
Multifix plates



5 851 45



5 851 40



5 851 50

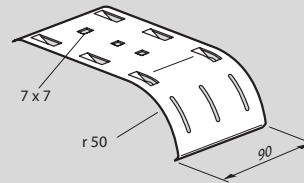
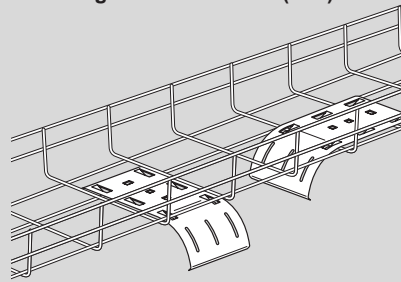
Pack	Cat.Nos		Designation	L (mm)	
	GS	ZM	Polyamide		
	Cablofil				
25	5 851 40	5 851 43	-	MFM100	100
25	5 851 50	5 851 53	-	MFM150	150
20	-	-	5 851 45	MFPOLYA	-

Wiring accessories

technical characteristics

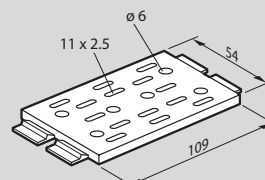
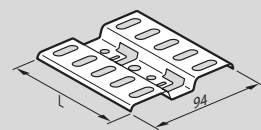
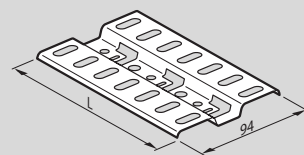
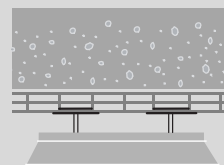
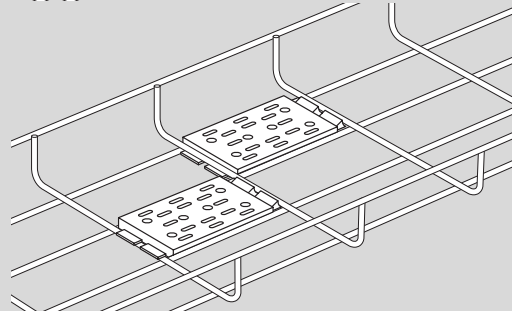
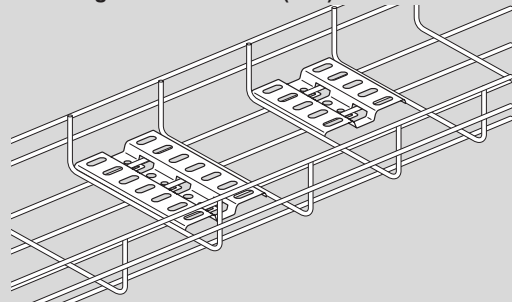
DEV 100 cable dropout plate

Mounting and dimensions (mm)



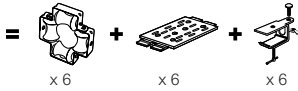
Multifix plates

Mounting and dimensions (mm)



Wiring accessories (continued)

Fasroller



0 111 00

Pack	Cat. No.	Designation
1	0 111 00	Fasroller

Cable ties and grips



8 091 19



5 596 77

Pack	Cat.Nos	Designation	L (mm)
	Cablofil	Plastic	
50	8 091 09	Fastie 15 x 180 mm	180
50	8 091 19	Fastie 15 x 225 mm	225
50	8 091 29	Fastie 15 x 320 mm	320
1	5 596 77	Cablogrip	5000

Marking



5 591 57

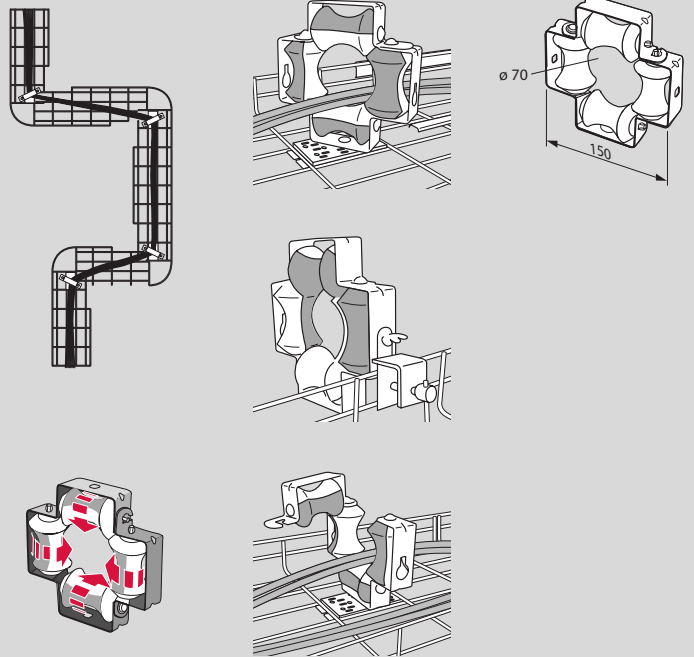
Pack	Cat.Nos	Designation	Colour
	Cablofil	Plastic	
50	5 591 57	ClipJ	Yellow
50	5 591 67	ClipV	Green
50	5 591 77	ClipB	Blue
50	5 591 47	ClipO	Orange
50	5 591 97	ClipG	Grey
50	5 591 87	ClipR	Red
50	5 591 17	ClipV	Purple

Wiring accessories

technical characteristics (continued)

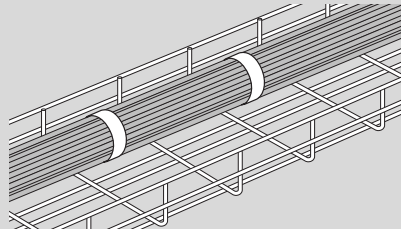
Fasroller

Mounting and dimensions (mm)



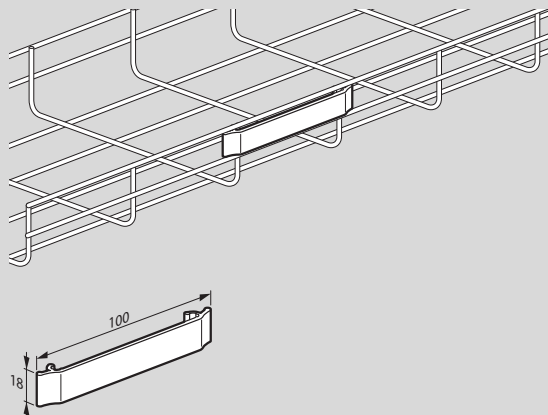
Cable ties and grips

Mounting



Marking

Mounting and dimensions (mm)



Mounting accessories

Wire cutter



5 595 07

Length 630 mm, "clipper" cutting jaws for EZ, PG and GC wire

Pack	Cat. No.	Designation
1	Cablofil 5 595 07	COUPFILGM

Cuty-fil



5 595 47

Pack	Cat. No.	Designation
1	Cablofil 5 595 47	Cuty-fil

PGP protective gloves



5 597 07

Pack	Cat. No.	Designation
1	Cablofil 5 597 07	PGP protective gloves

Touch-up paint spray



5 597 17

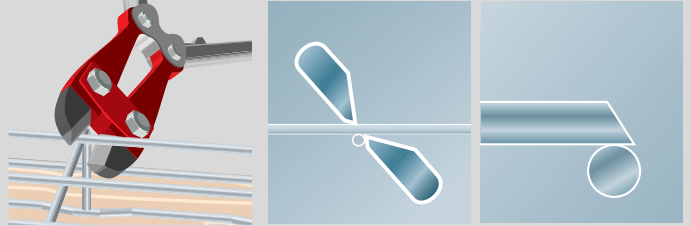
Pack	Cat. No.	Designation
1	Cablofil 5 597 17	Galvanized finish

Mounting accessories

technical characteristics (continued)

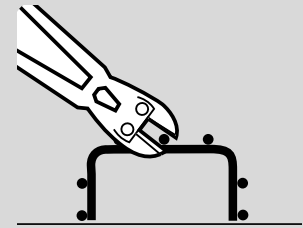
Wire cutter

How to use

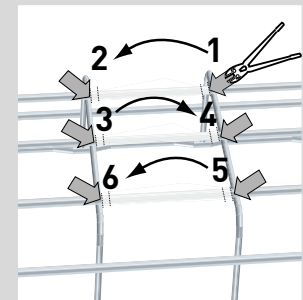
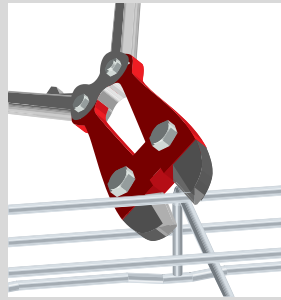


Cut the cable trays at an angle of approximately 45°

Cutting the wires at the base of the cable tray

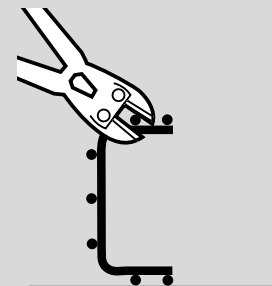


Stand facing the cable tray when cutting.

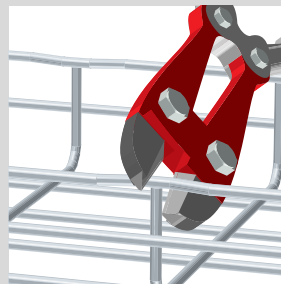


Cut the wires one by one in the order shown.

Cutting the wires on the sides of the cable tray



Stand facing the cable tray when cutting.



ZF31 wire mesh cable trays

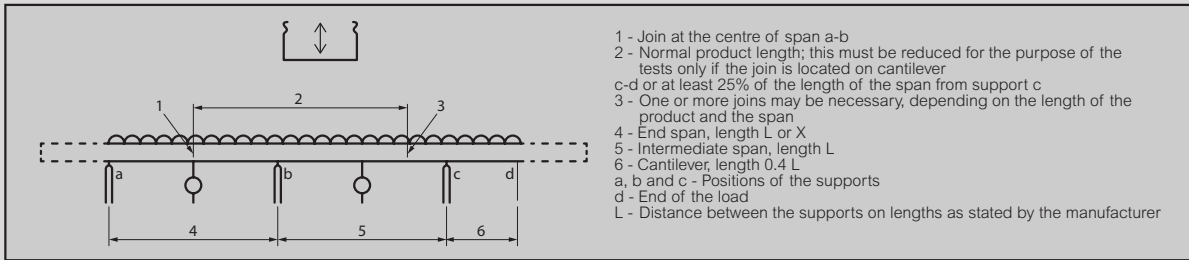
permissible loads

Permissible loads

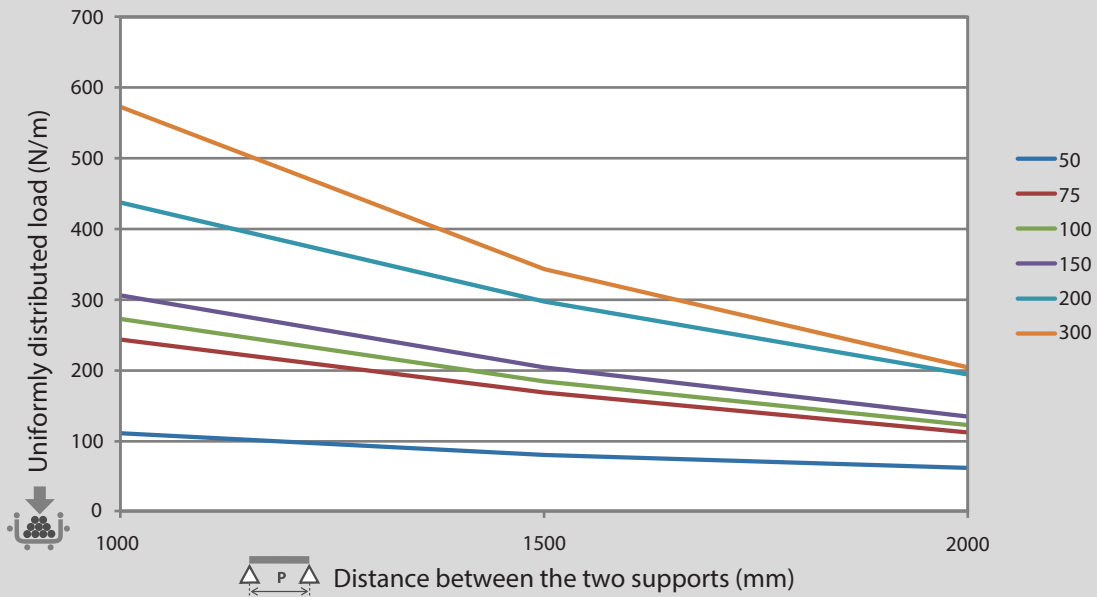
The cable routing complies with standard IEC 61 537
 This standard details the configurations for the mechanical tests to be performed on the cable trays and supports, as well as the issues of electrical continuity and corrosion
 NFC 15-100 is the applicable standard for installation

Test method:

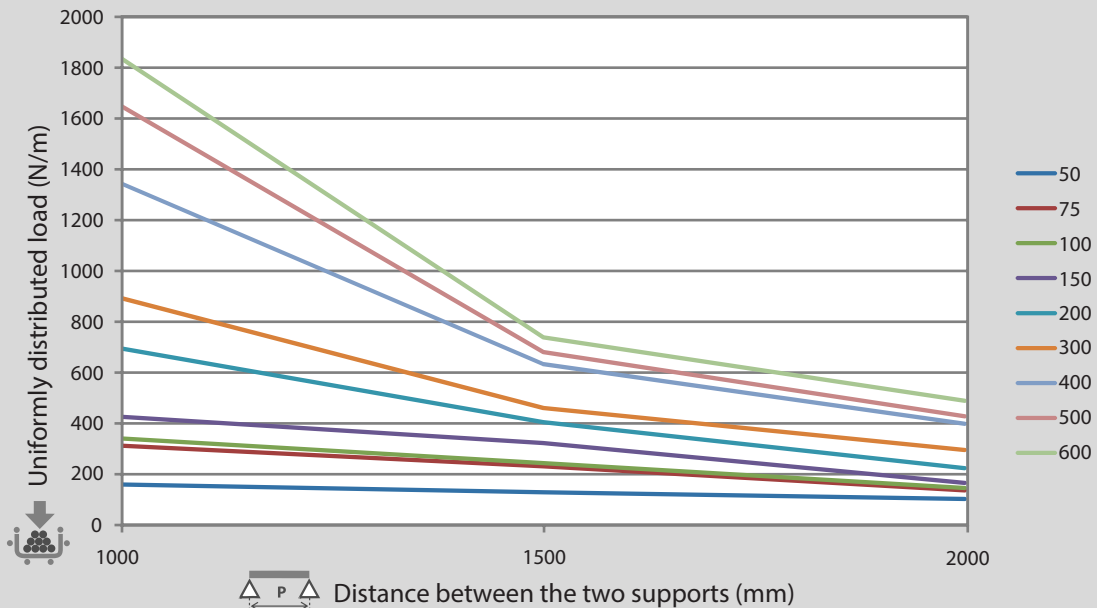
- The cable tray is fixed on the supports
- Distance between the supports (L) on lengths as stated by the manufacturer
- Join at the centre of span a-b, join randomly positioned on span b-c
- Uniformly distributed load
- Deformation deflection $\leq 1/100$ th of distance L between two supports



ZF31
H 25 mm



ZF31
H 50 mm

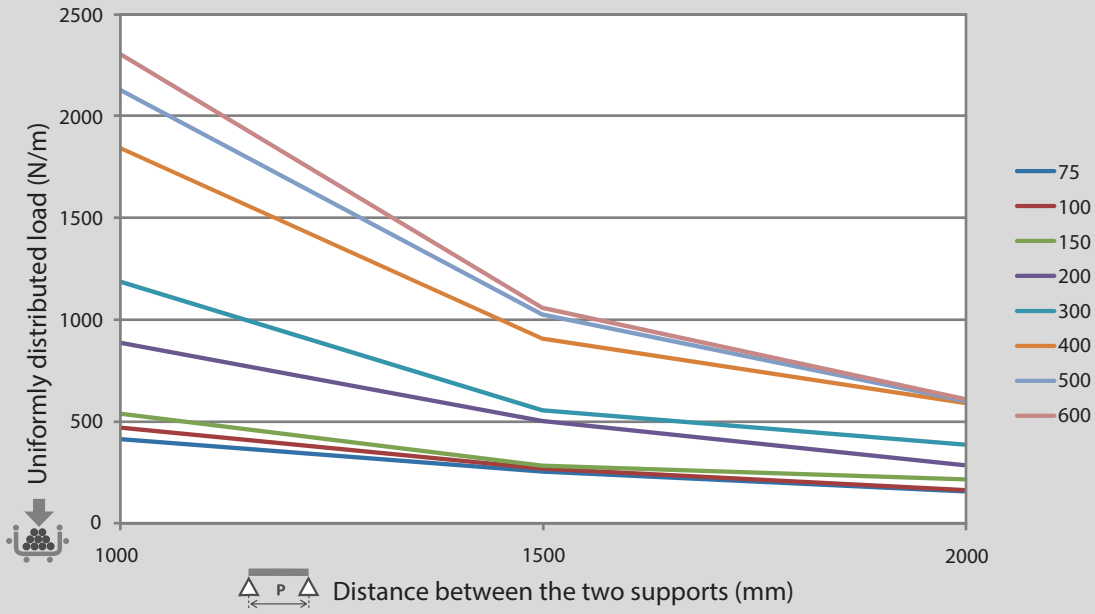


For ZF31 heights 25 and 50: the load can be multiplied by 2 if the join is positioned at L/5

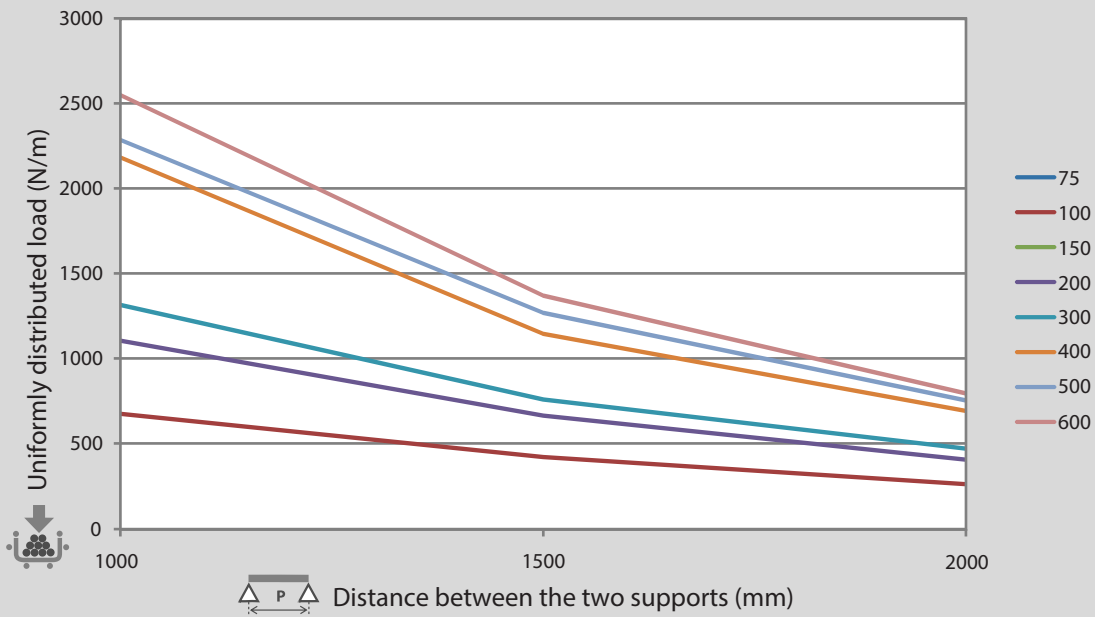
ZF31 wire mesh cable trays

permissible loads (continued)

ZF31
H 75 mm



ZF31
H 100 mm



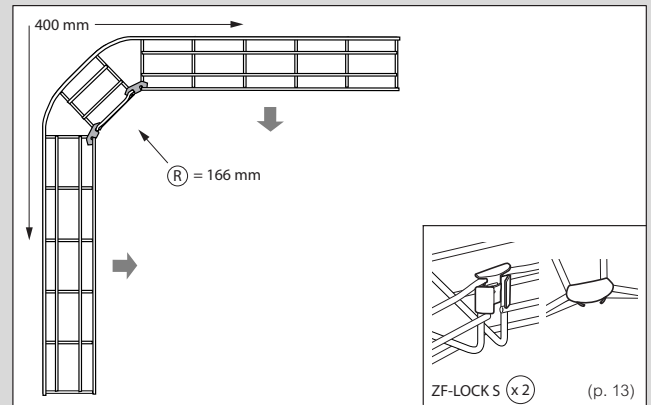
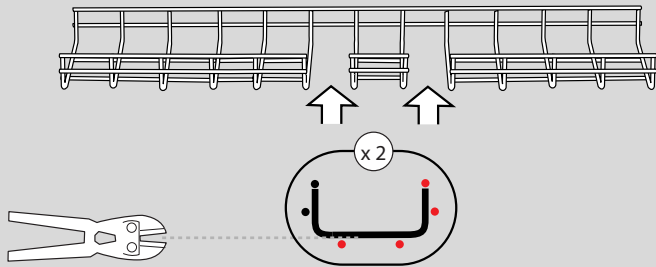
For ZF31 height 75: the load can be multiplied by 1.7 if the joint is positioned at L/5
 For ZF31 height 100: the load can be multiplied by 1.4 if the joint is positioned at L/5

ZF31 wire mesh cable trays

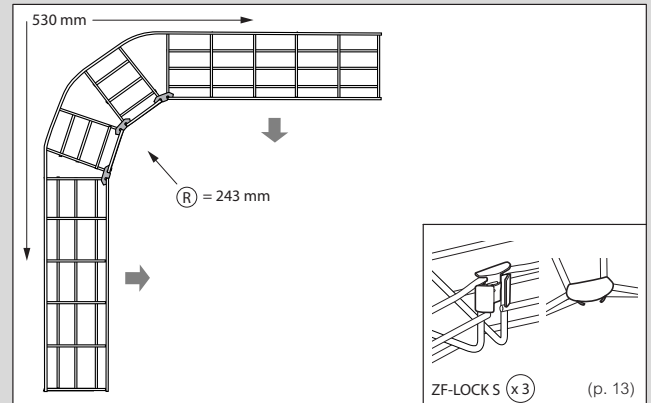
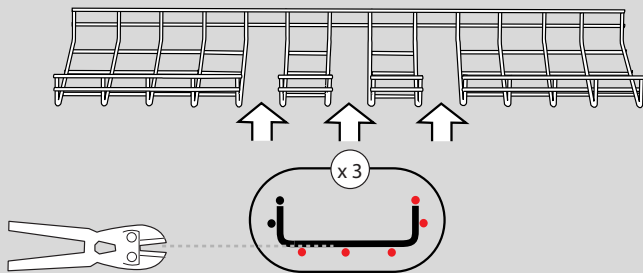
installation examples

90° direction change with ZF-LOCK quick couplers

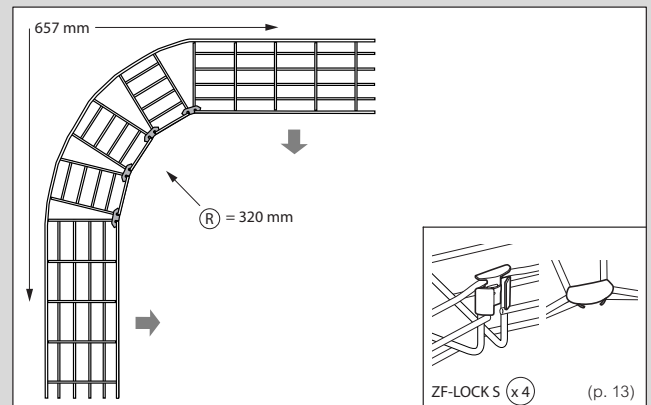
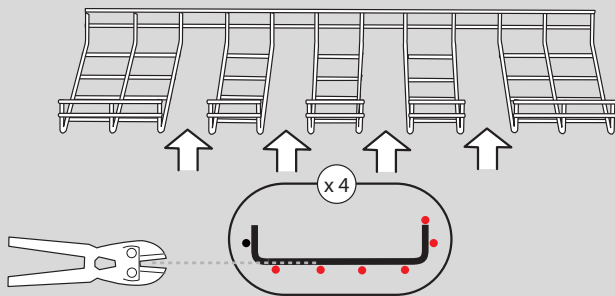
Width 100 mm



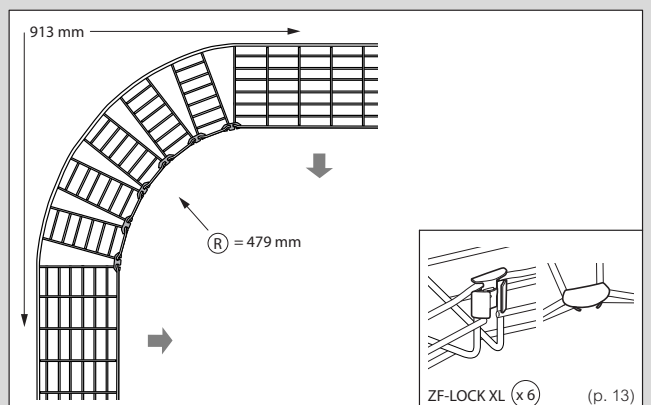
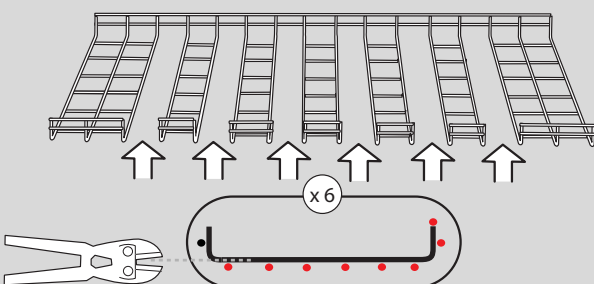
Width 150 mm



Width 200 mm



Width 300 mm

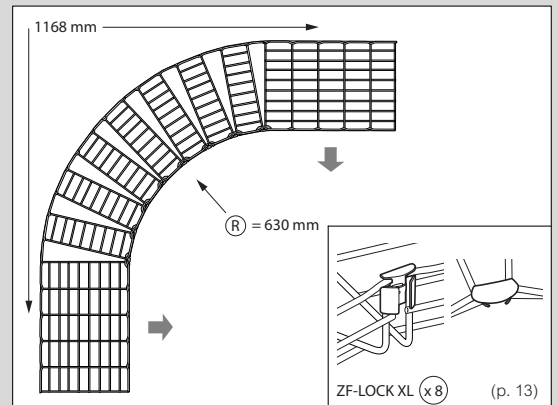
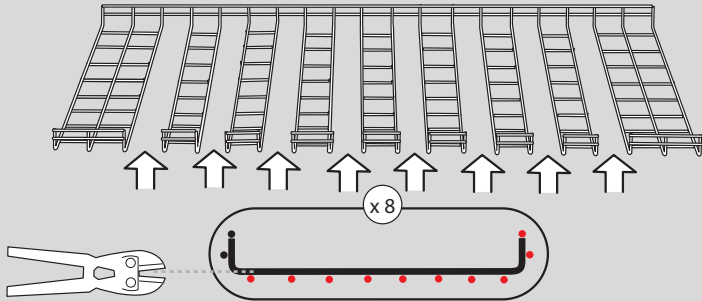


ZF31 wire mesh cable trays

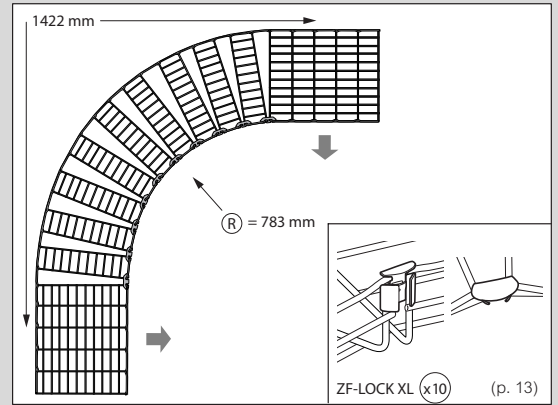
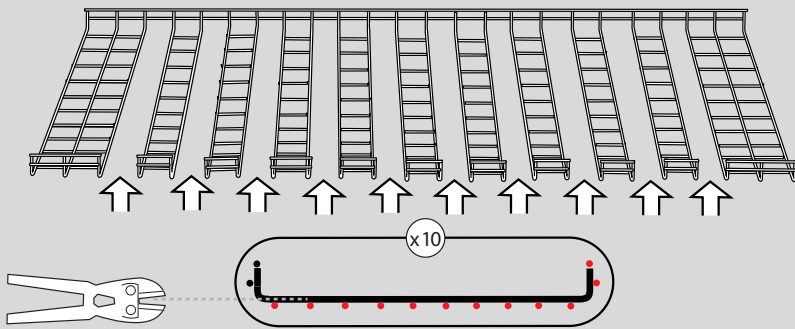
installation examples (continued)

90° direction change with ZF-LOCK quick couplers

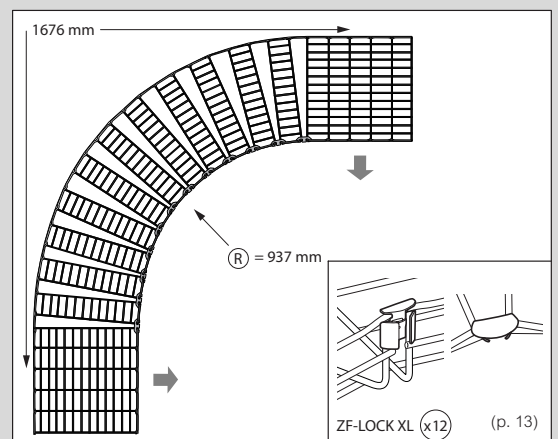
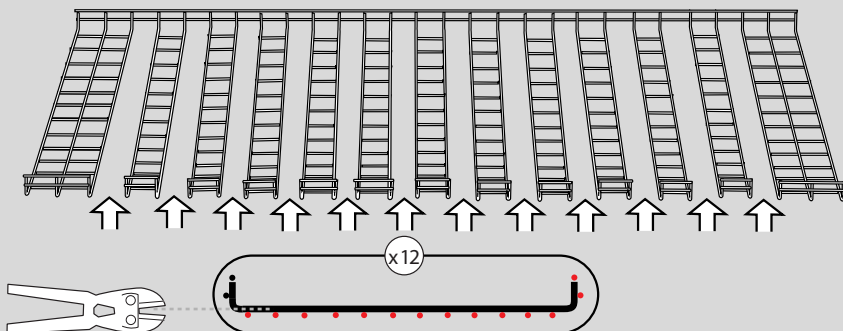
Width 400 mm



Width 500 mm

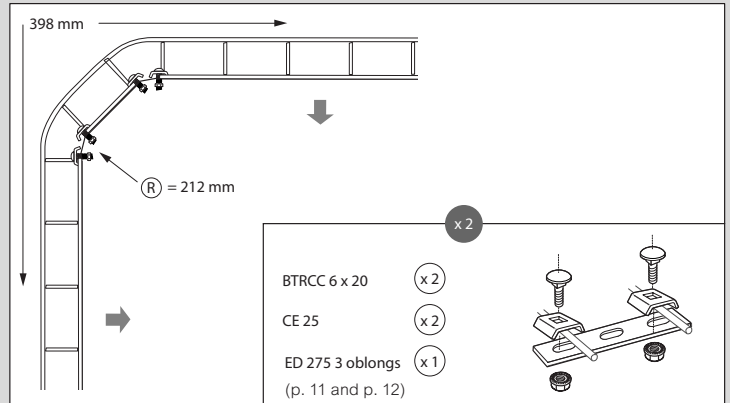
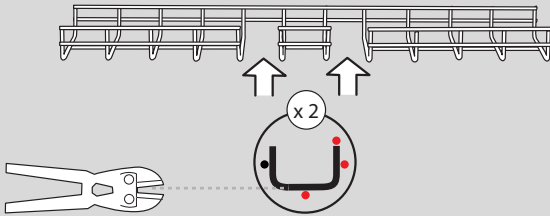


Width 600 mm

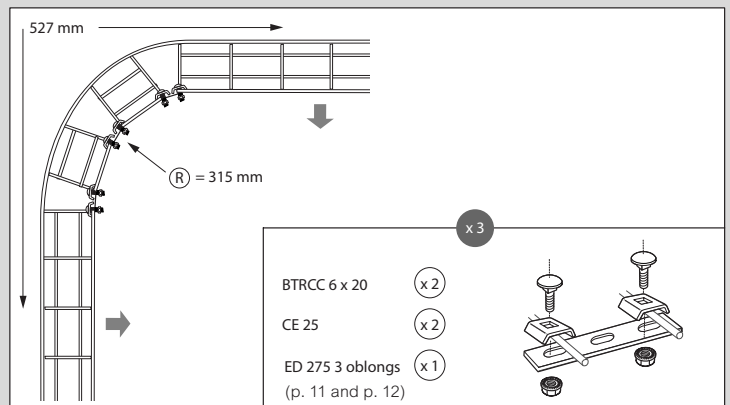
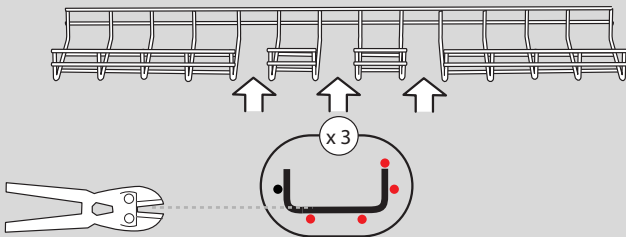


90° direction change - wide bend radius

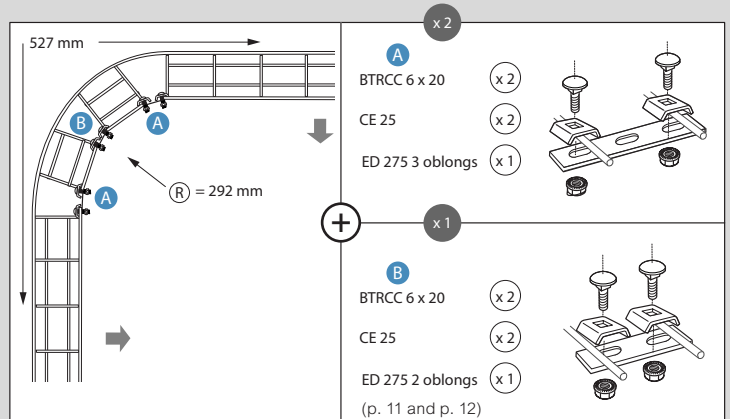
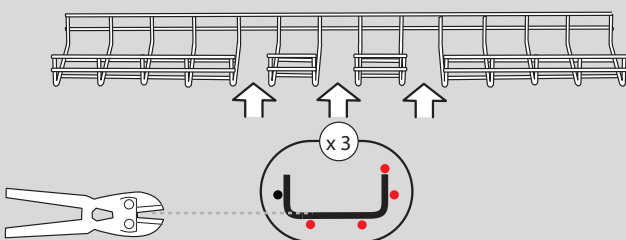
Width 50 mm



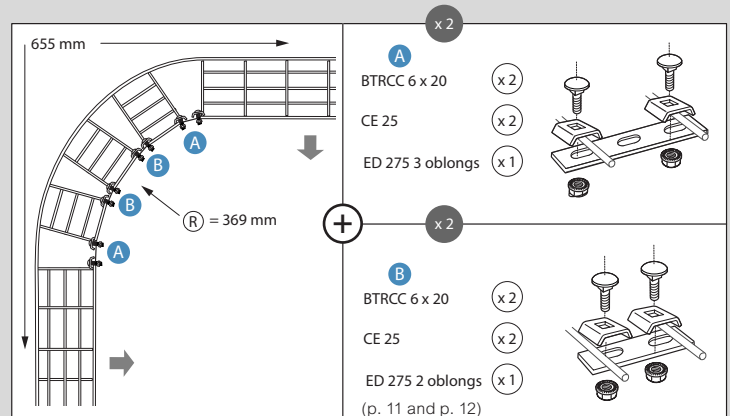
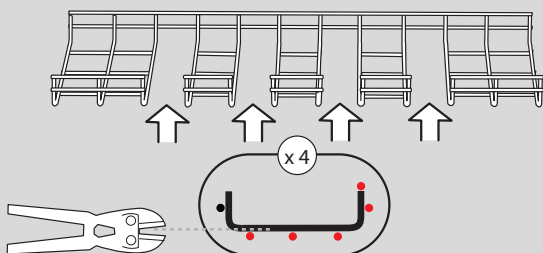
Width 75 mm



Width 100 mm



Width 150 mm

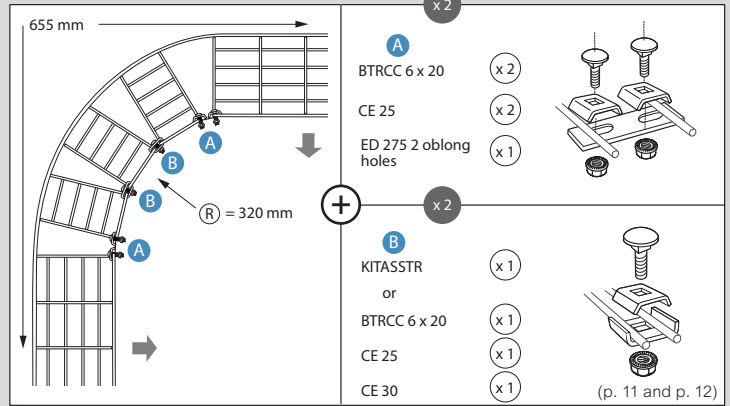
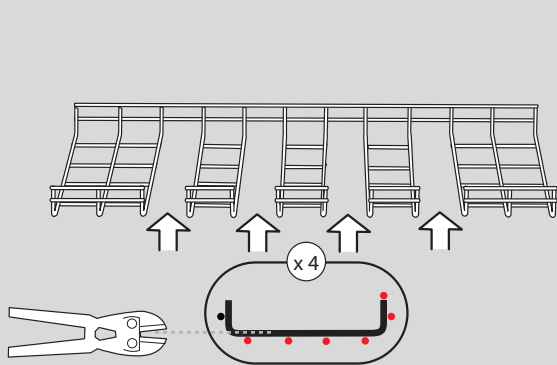


ZF31 wire mesh cable trays

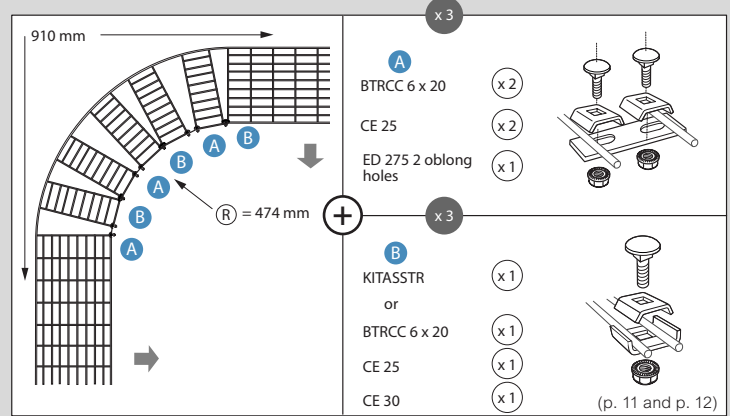
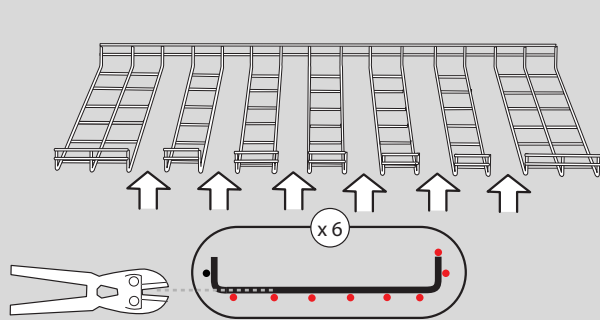
installation examples (continued)

90° direction change - wide bend radius

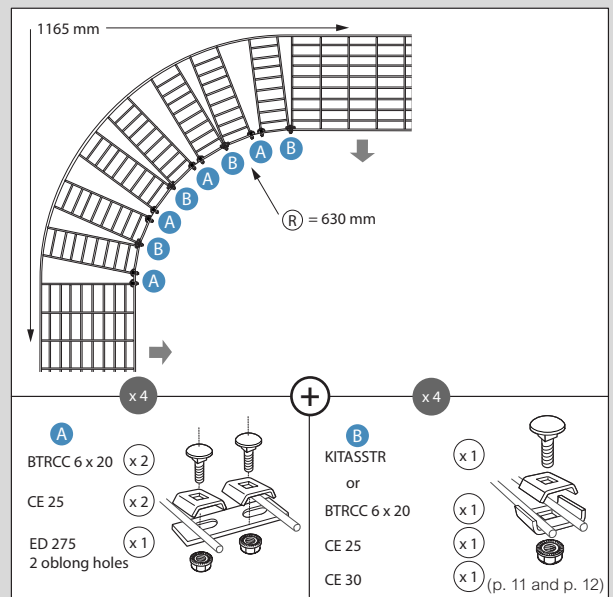
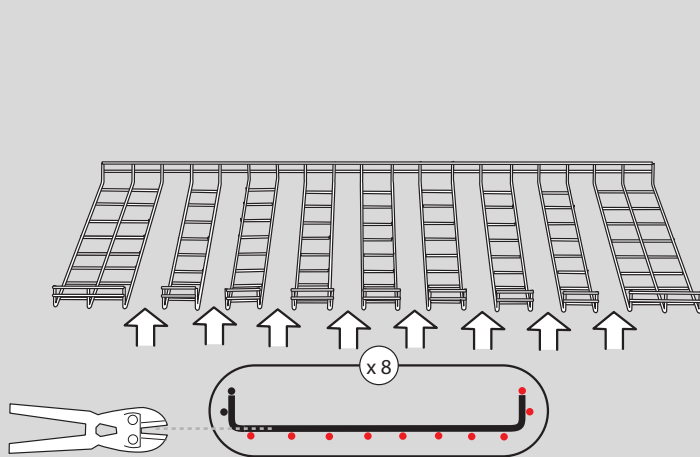
Width 200 mm



Width 300 mm

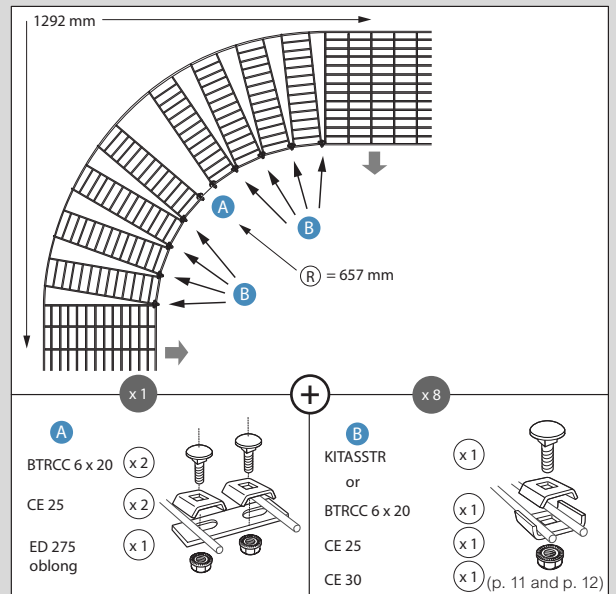
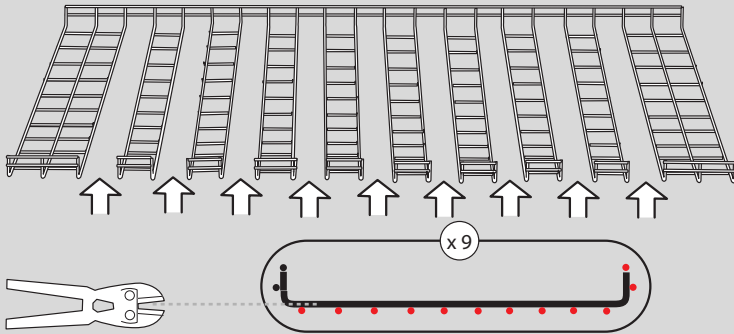


Width 400 mm

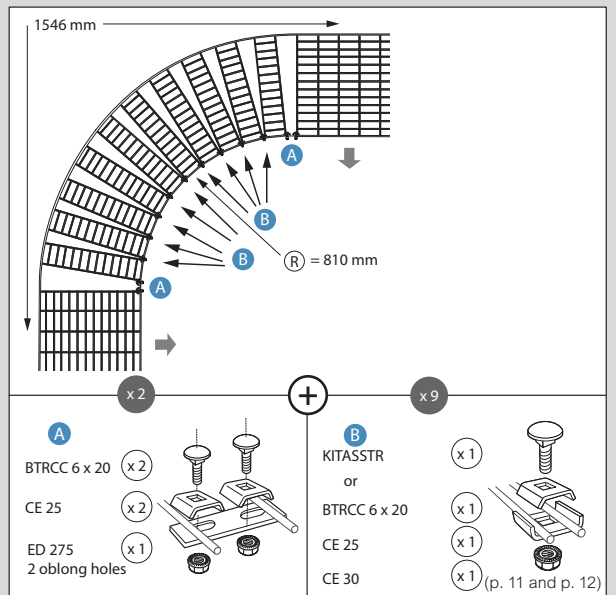
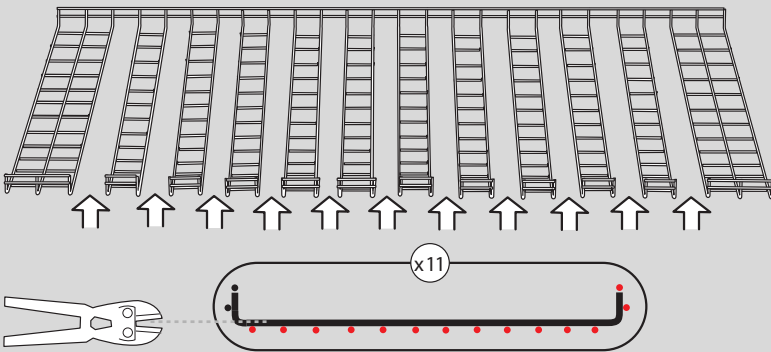


90° direction change - wide bend radius

Width 500 mm



Width 600 mm

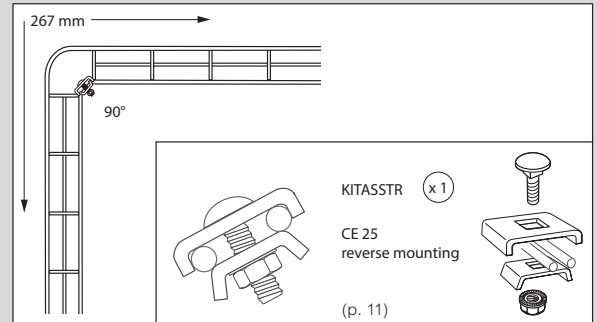
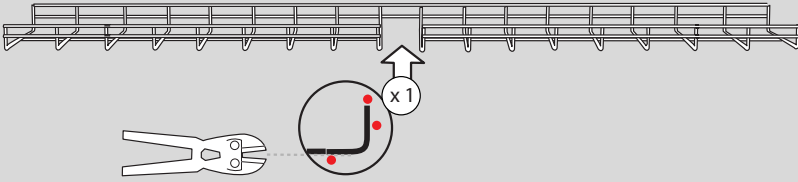


ZF31 wire mesh cable trays

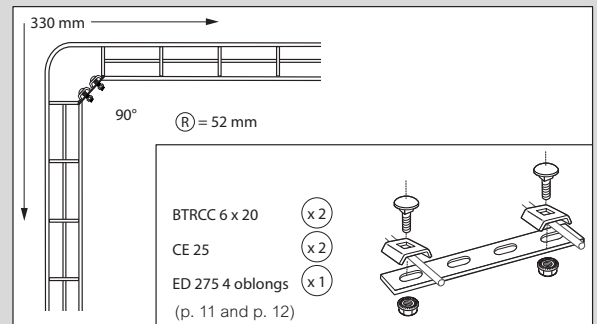
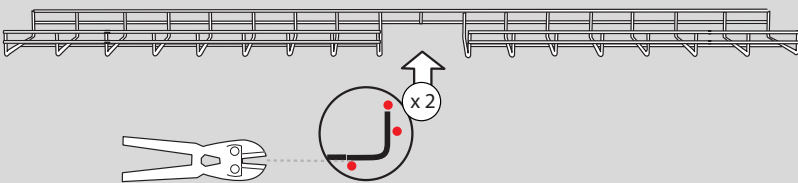
installation examples (continued)

90° direction change - narrow bend radius

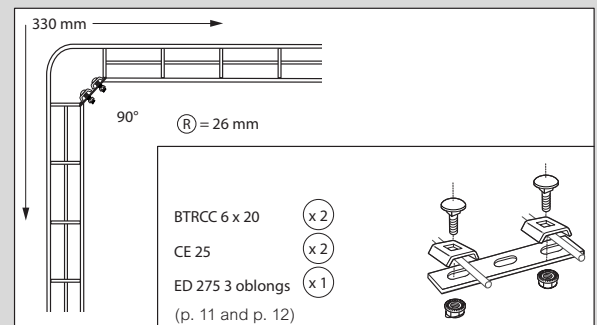
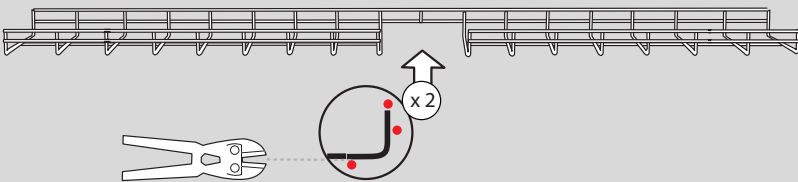
Width 50 mm



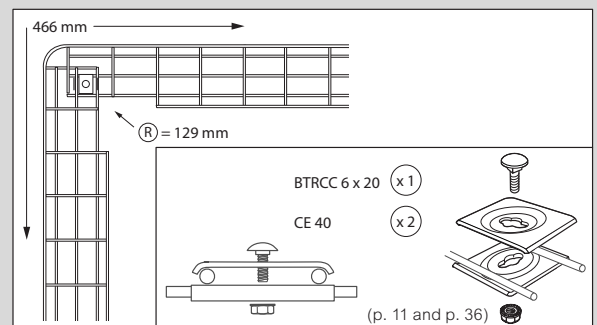
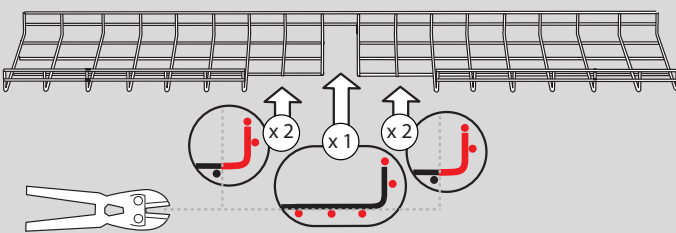
Width 75 mm



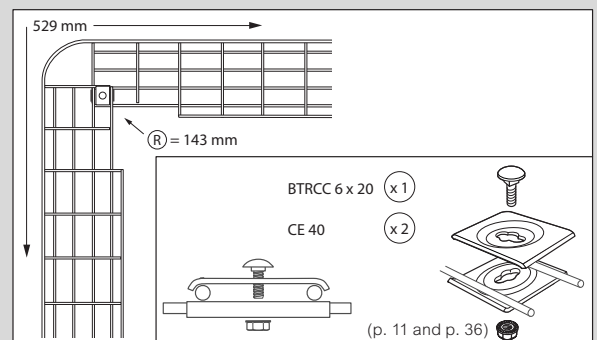
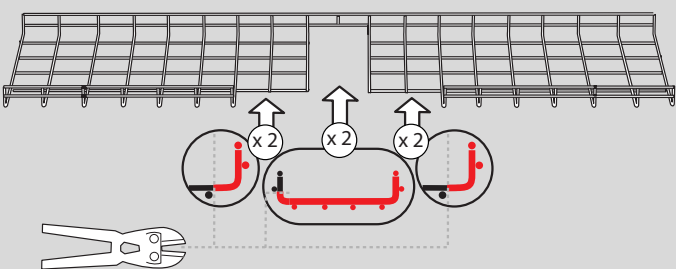
Width 100 mm



Width 150 mm

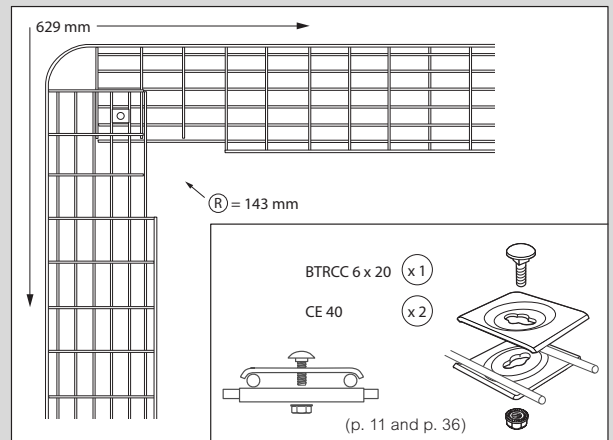
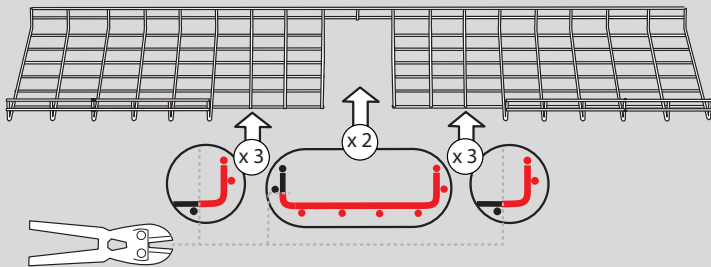


Width 200 mm

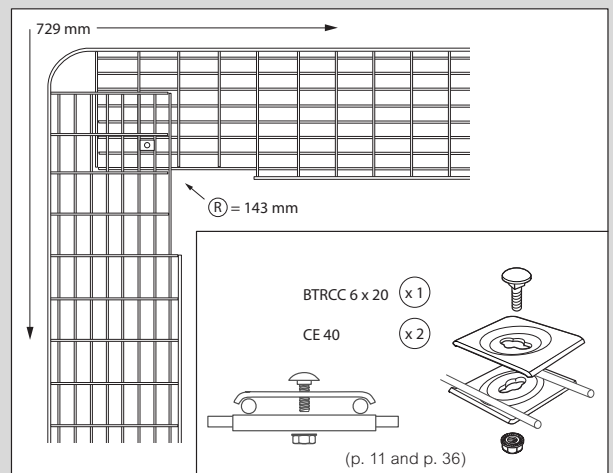
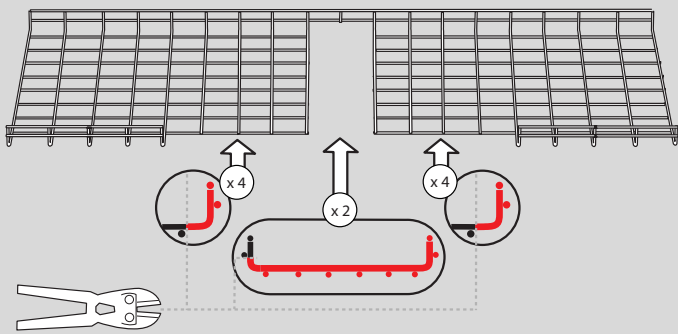


90° direction change - narrow bend radius (continued)

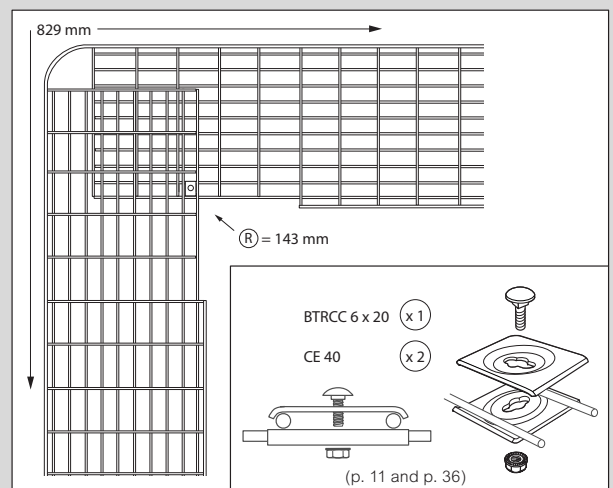
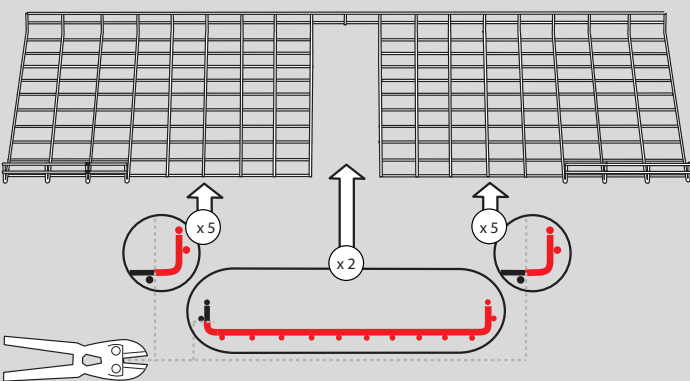
Width 300 mm



Width 400 mm



Width 500 mm

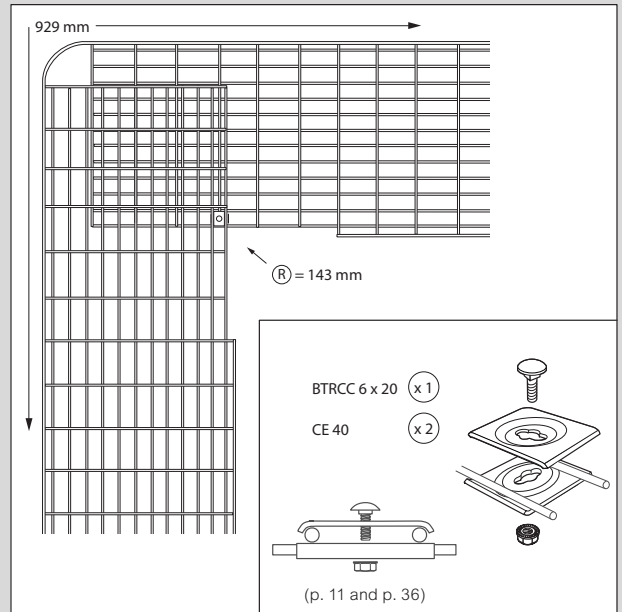
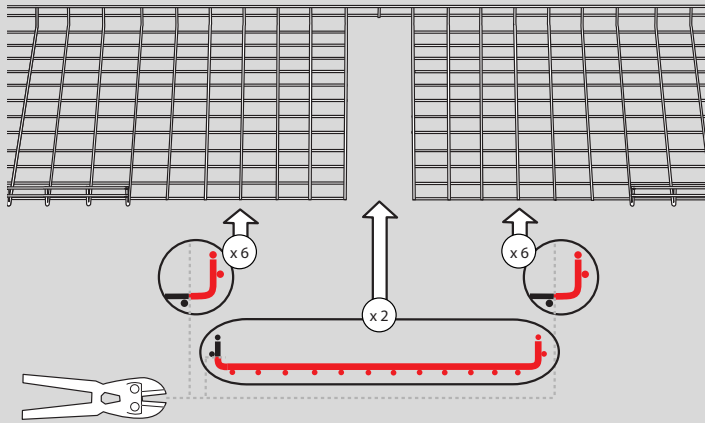


ZF31 wire mesh cable trays

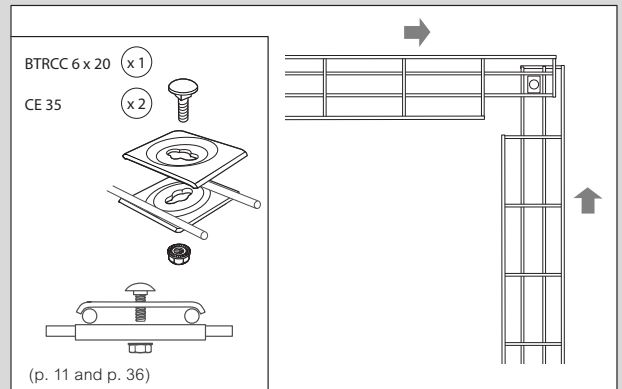
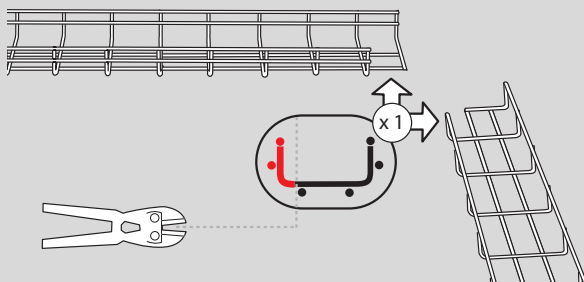
installation examples (continued)

90° direction change - narrow bend radius (continued)

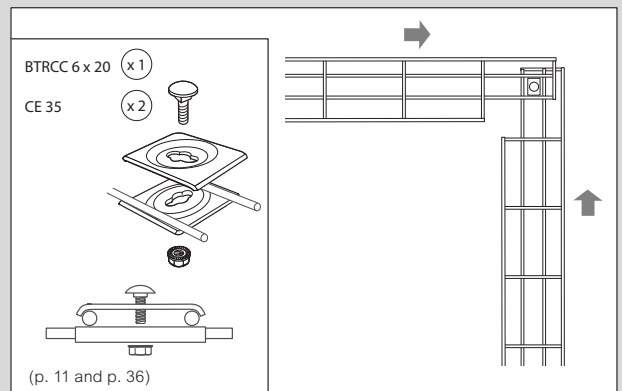
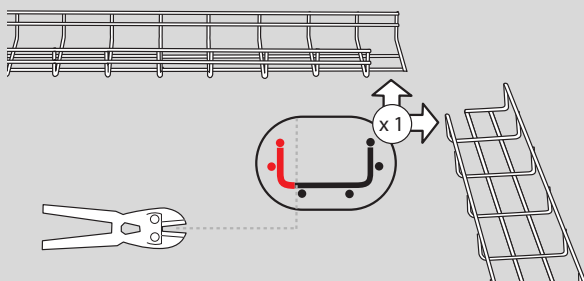
Width 600 mm



Width 50 mm

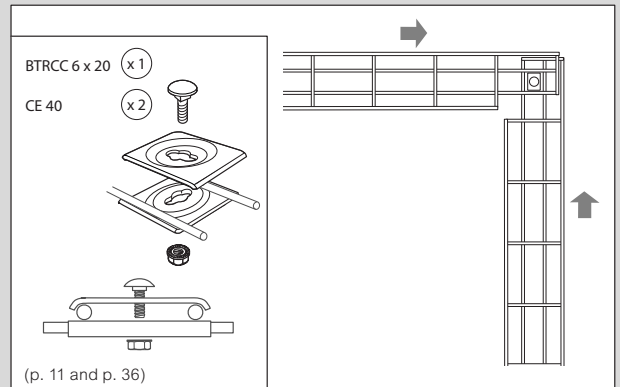
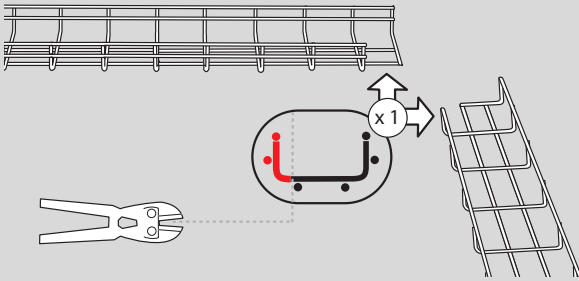


Width 75 mm

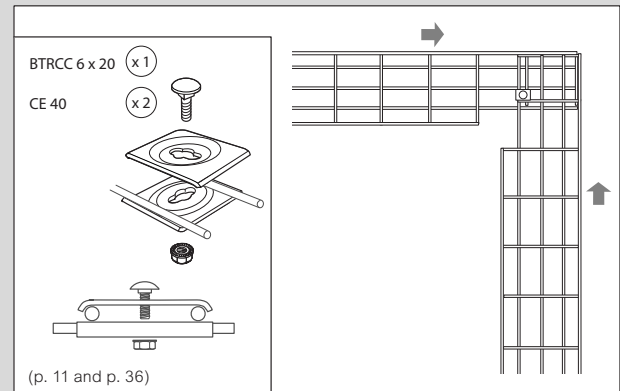
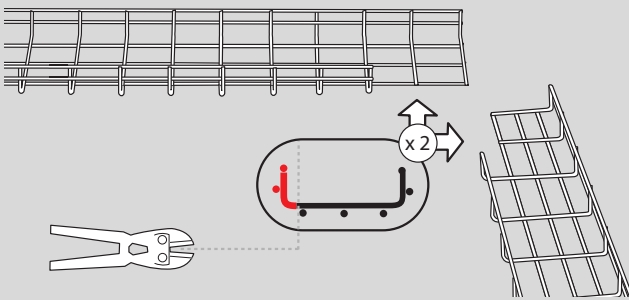


90° direction change - narrow bend radius (continued)

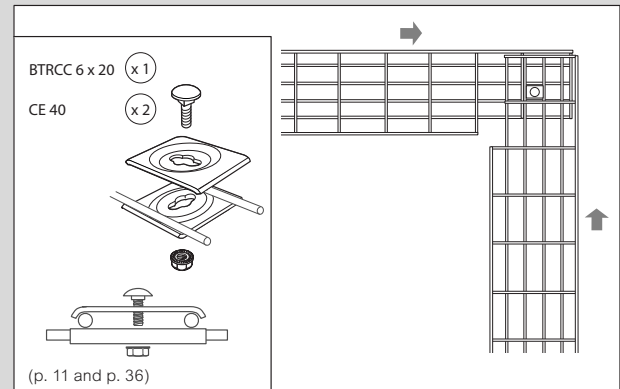
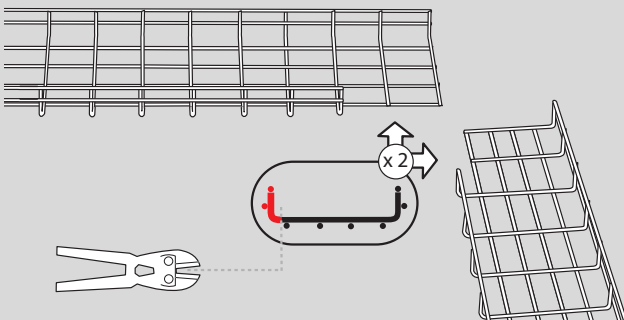
Width 100 mm



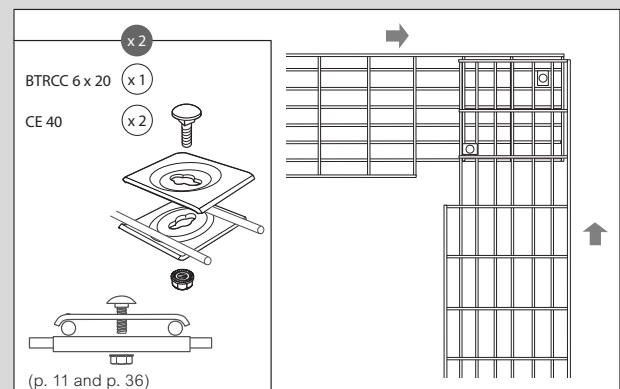
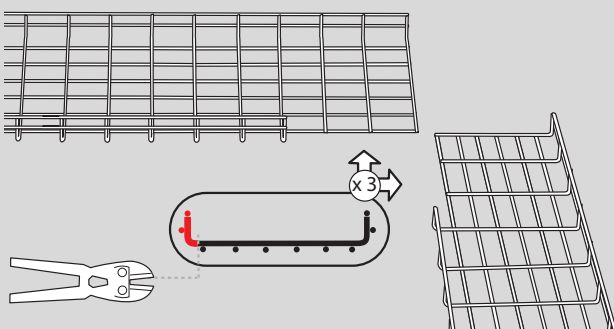
Width 150 mm



Width 200 mm



Width 300 mm

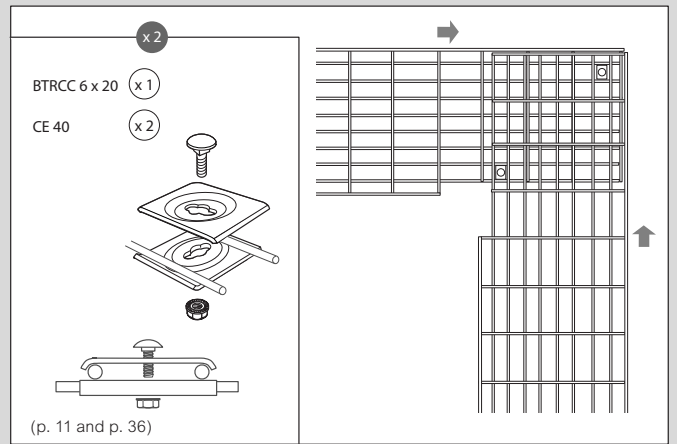
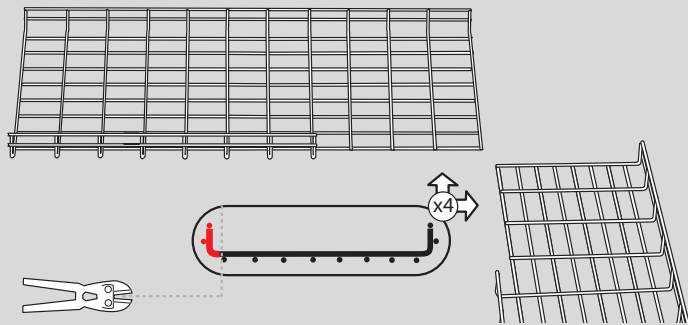


ZF31 wire mesh cable trays

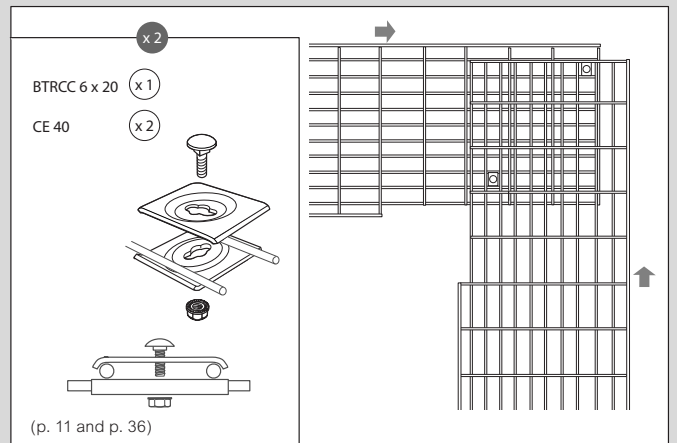
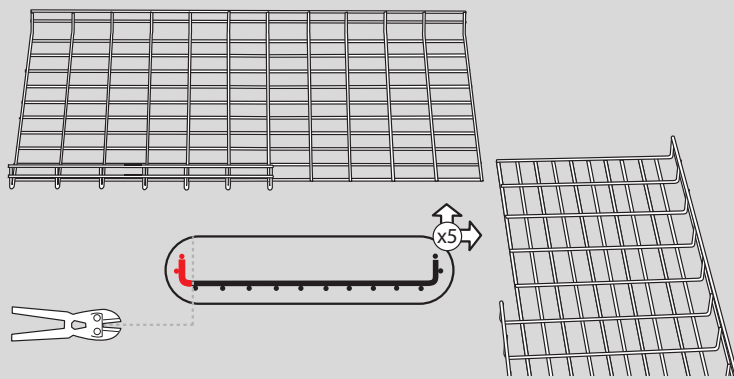
installation examples (continued)

90° direction change - narrow bend radius (continued)

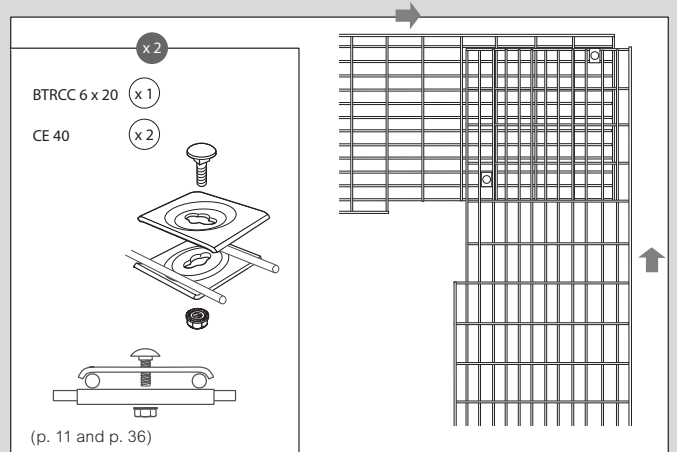
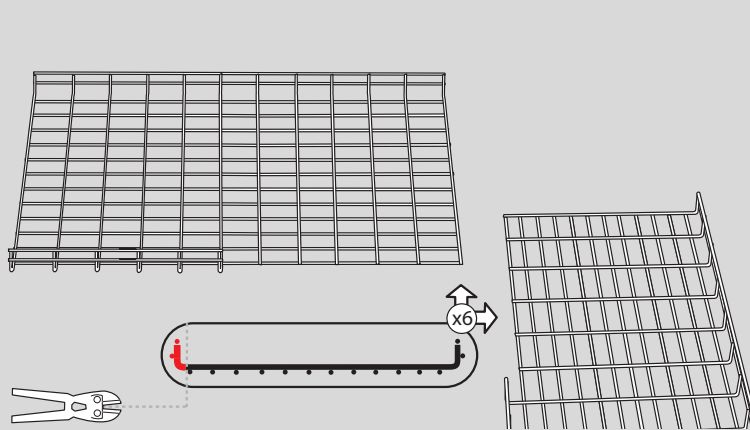
Width 400 mm



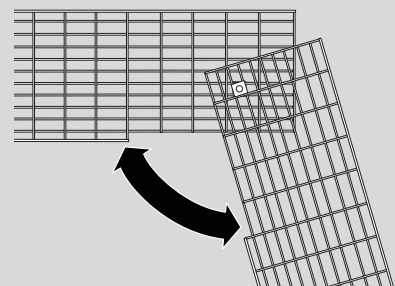
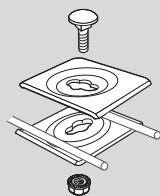
Width 500 mm



Width 600 mm

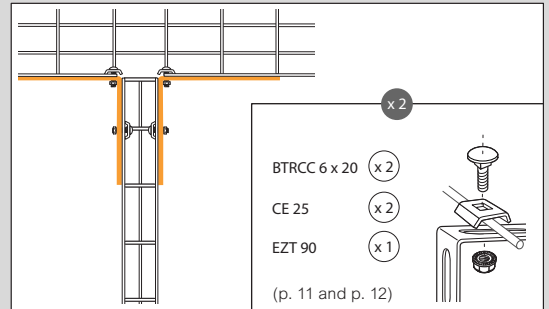
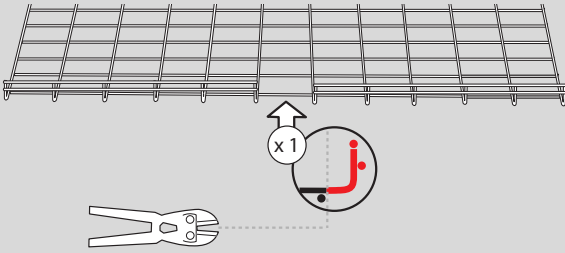


BTRCC 6 x 20 (x1)
CE 40 (x2)

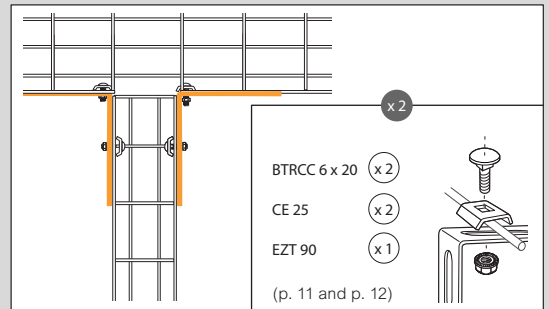
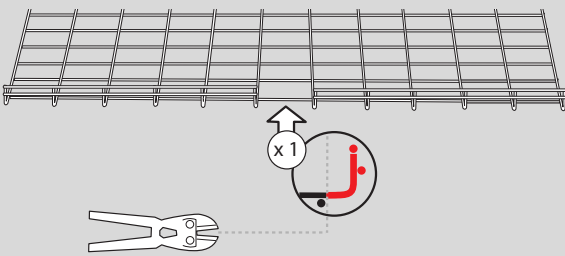


T-branch

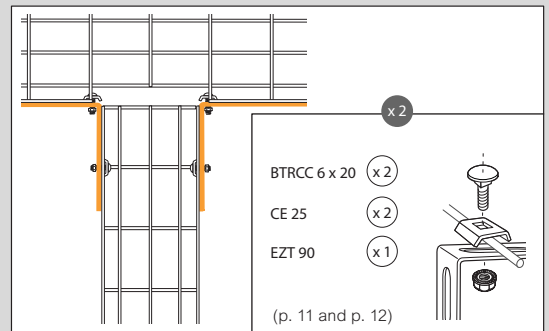
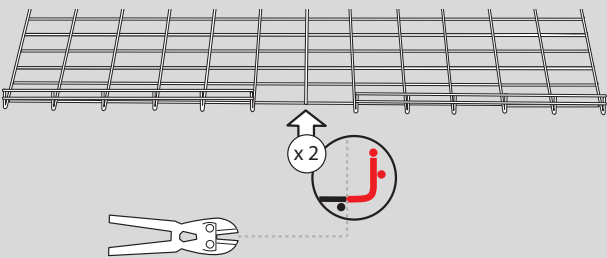
Widths 50 and 75 mm



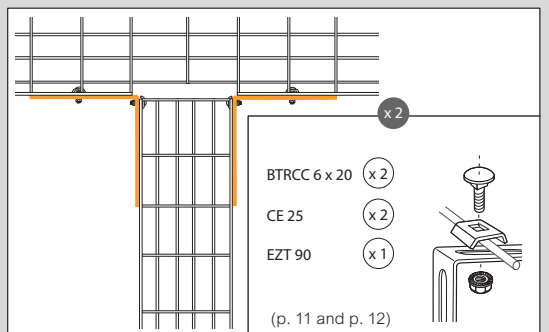
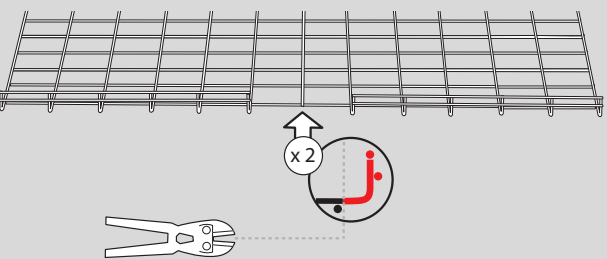
Width 100 mm



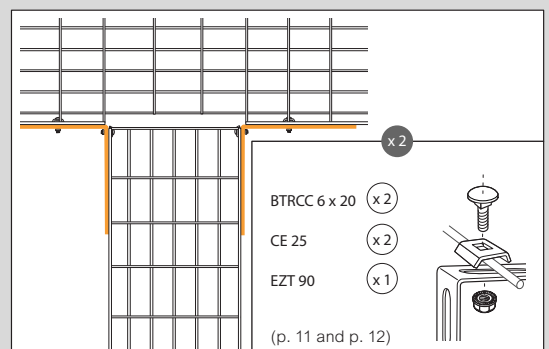
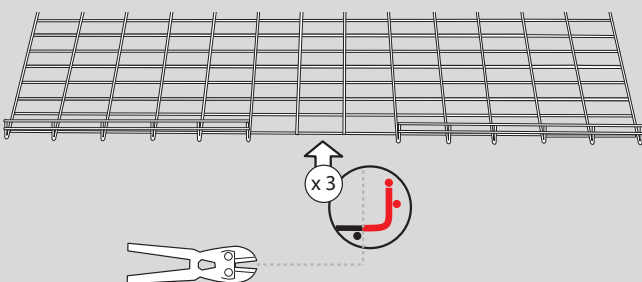
Width 150 mm



Width 200 mm



Width 300 mm

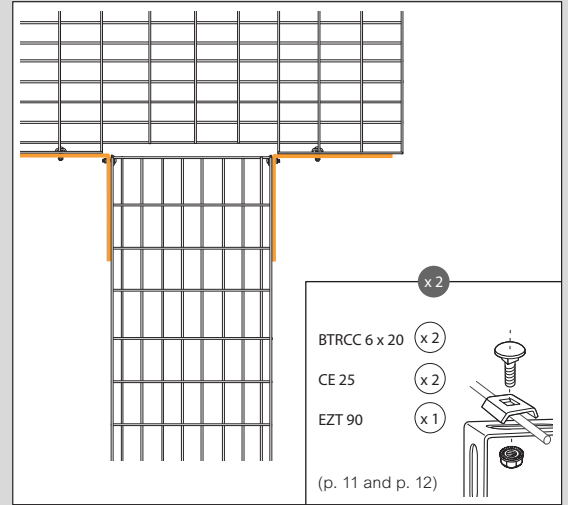
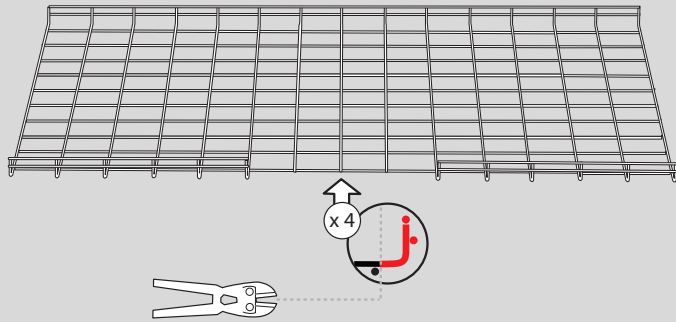


ZF31 wire mesh cable trays

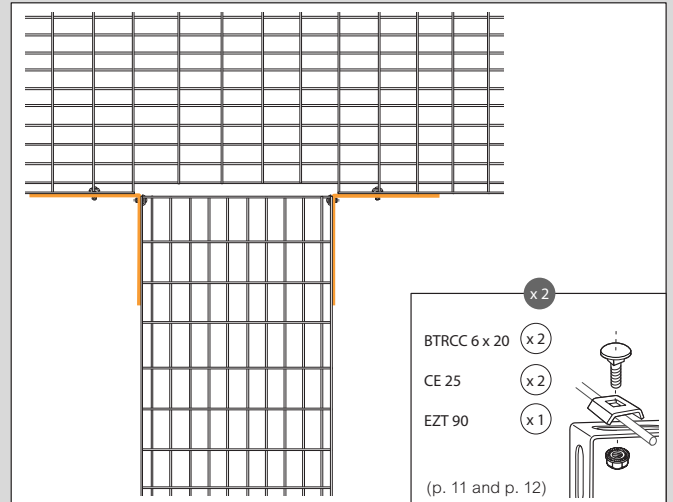
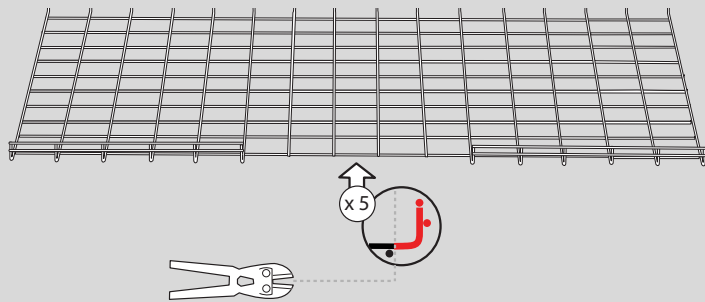
installation examples (continued)

T-branch (continued)

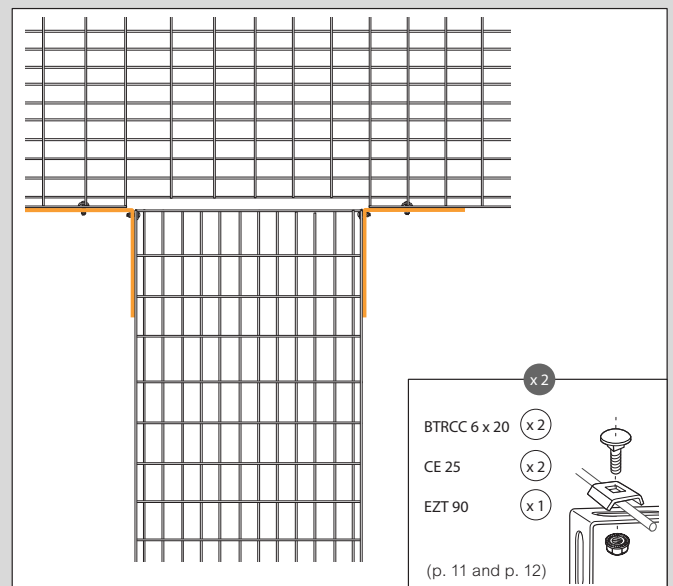
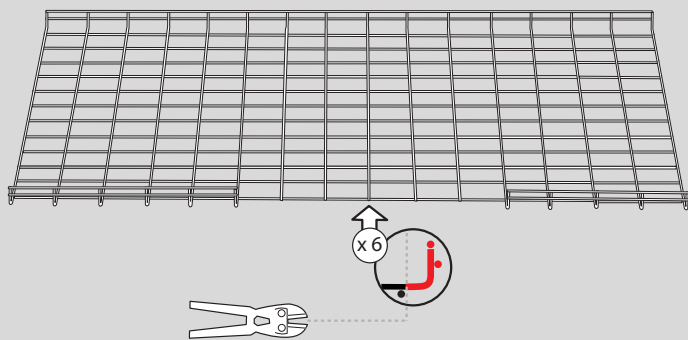
Width 400 mm



Width 450 - 500 mm

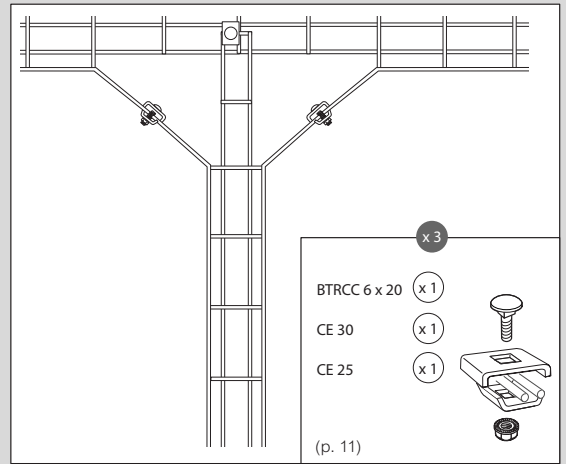
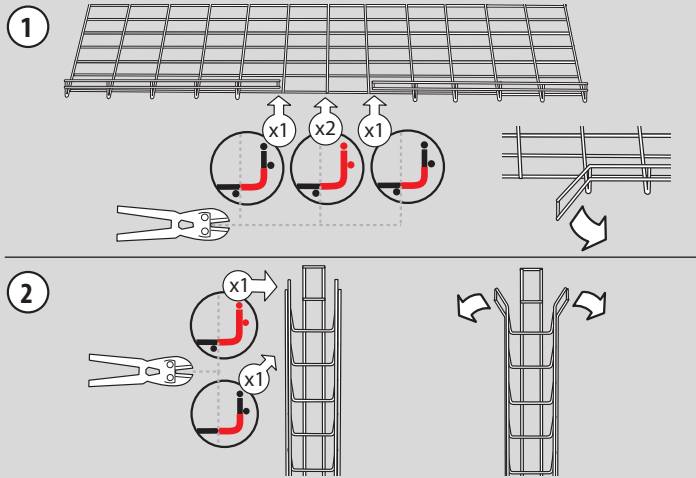


Width 600 mm

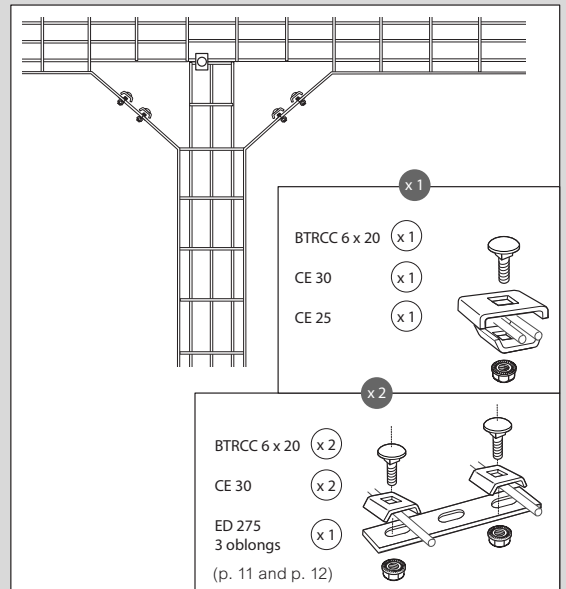
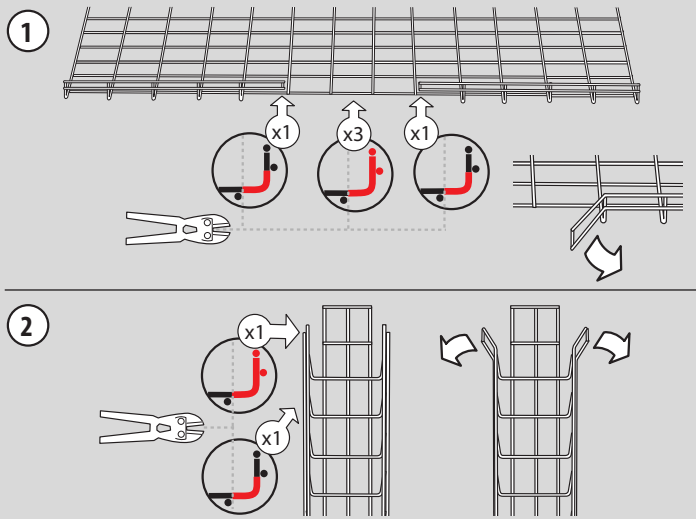


T-branch - wide bend radius

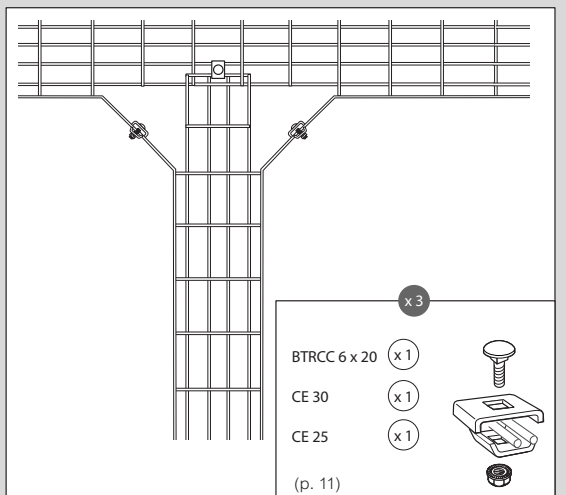
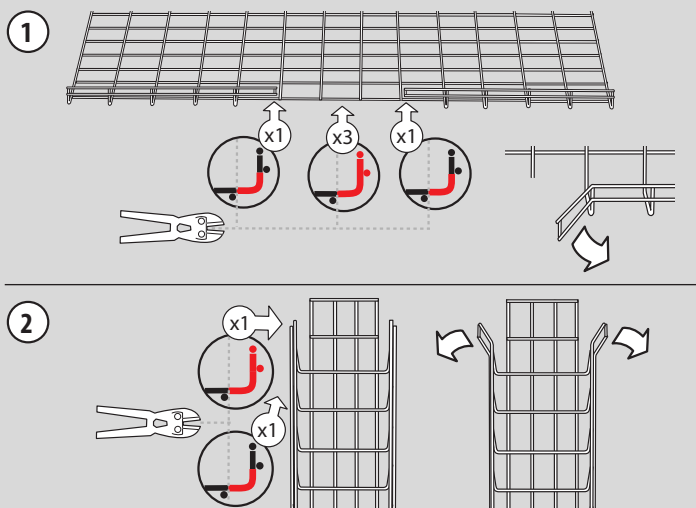
Width 100 mm



Width 150 mm



Width 200 mm

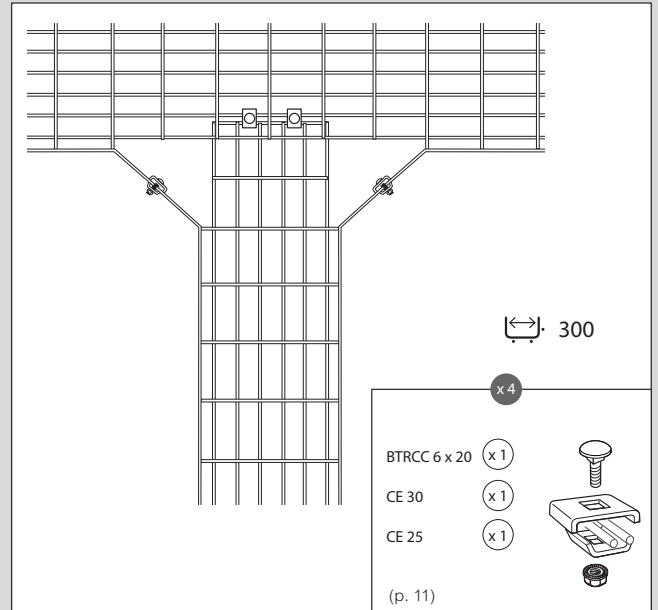
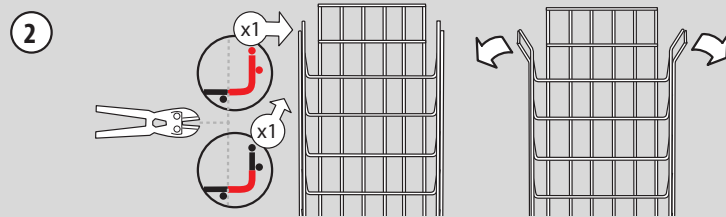
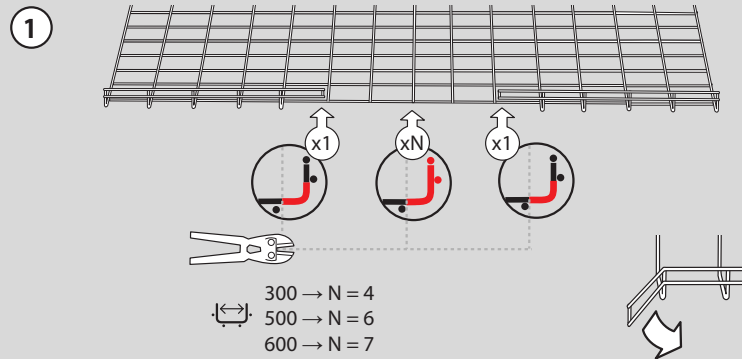


ZF31 wire mesh cable trays

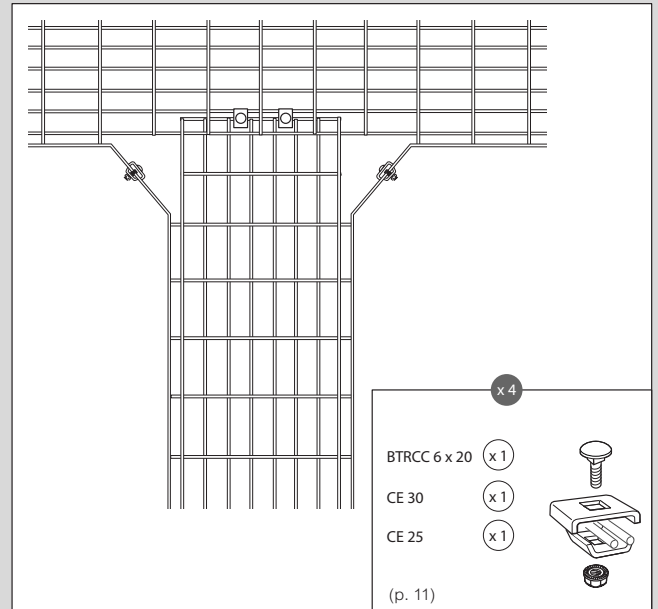
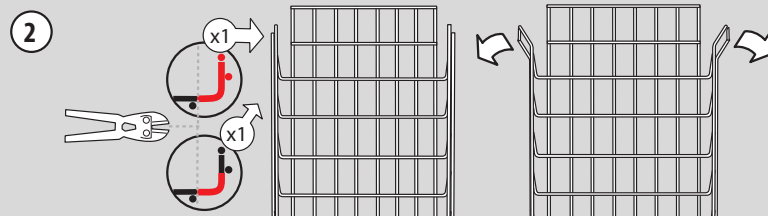
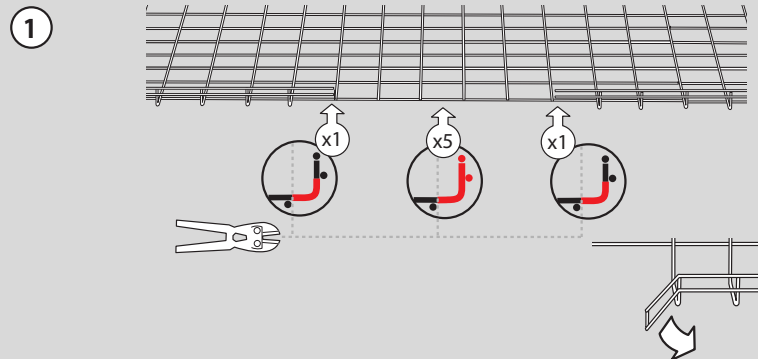
installation examples (continued)

T-branch - wide bend radius (continued)

Width 300 - 500 - 600 mm

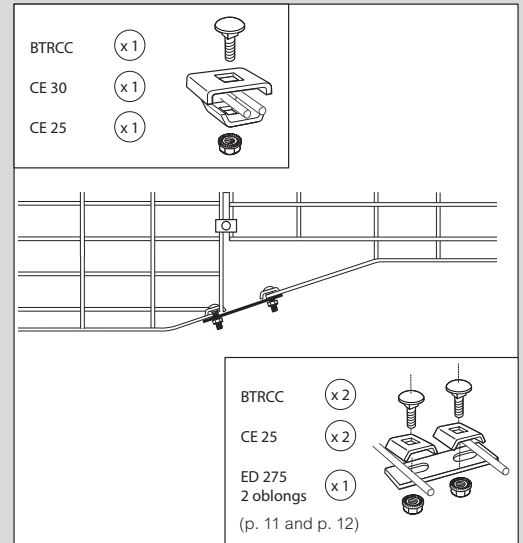
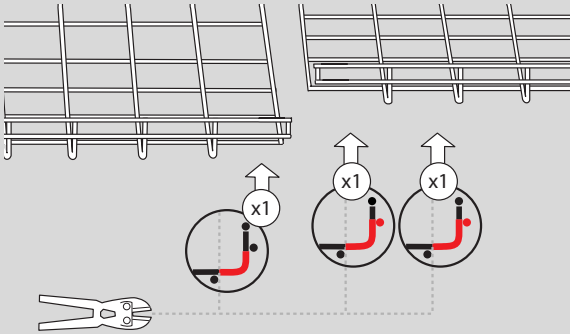


Width 400 mm

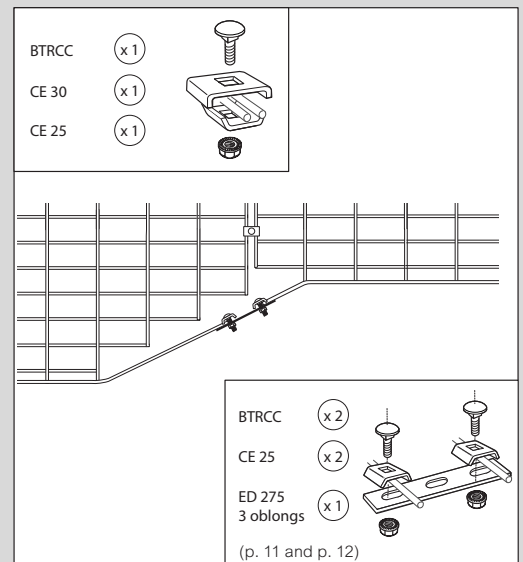
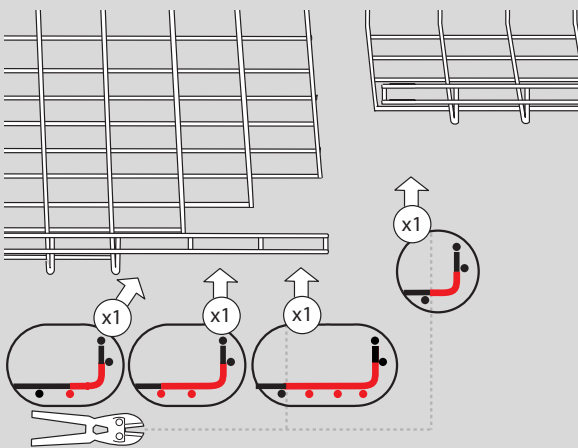


Cross-section change

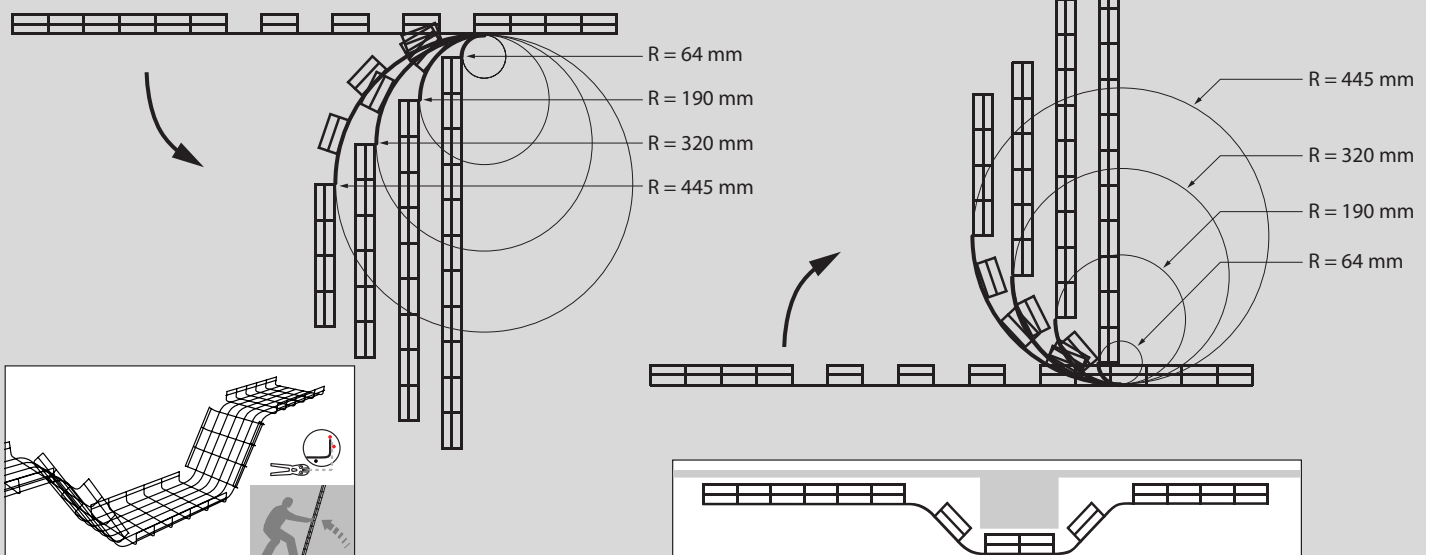
Change to 100 mm



Change to 200 mm



Riser



Legrand catalogue number index

Cat.No	Page N°	Pack	Cat.No	Page N°	Pack	Cat.No	Page N°	Pack	Cat.No	Page N°	Pack	Cat.No	Page N°	Pack
3 400 00			3 408 90	22	6	3 409 63	24	1	3 410 57	21	1	3 411 85	16	1
3 401 81	22	2	3 408 91	22	10	3 409 64	24	1	3 410 58	21	1	3 411 86	16	1
3 401 82	22	2	3 408 92	22	10	3 409 65	24	1	3 410 59	21	1	3 411 87	16	1
3 401 89	14	12	3 408 93	22	10	3 409 71	20	1	3 410 67	26	1	3 411 88	16	1
3 401 90	14	12	3 408 94	22	5	3 409 72	20	1	3 410 95	25	1	3 411 89	16	1
3 401 91	14	12	3 408 95	22	5	3 409 73	20	1	3 410 96	25	1	3 411 90	16	1
3 401 92	14	12	3 408 96	22	6	3 409 74	20	1	3 410 97	25	1	3 411 91	16	1
3 401 93	14	12	3 408 97	22	6	3 409 75	20	1	3 410 98	25	1	3 411 92	16	1
3 401 94	14	12	3 408 98	22	6	3 409 76	20	1	3 410 99	25	1	3 411 93	16	1
3 401 95	14	12	3 408 99	25	1	3 409 77	20	1	3 411 00	25	1	3 411 94	16	1
3 401 96	14	10	3 409 06	23	1	3 409 78	20	1	3 411 01	25	1	3 411 95	16	1
3 401 97	14	10	3 409 07	23	1	3 409 79	20	1	3 411 02	25	1	3 411 96	16	1
3 407 48	26	6	3 409 08	23	1	3 409 80	20	1	3 411 03	25	4	3 411 97	16	1
3 407 49	26	14	3 409 09	23	1	3 409 81	20	1	3 411 04	25	1	3 411 98	16	1
3 407 58	19	14	3 409 10	23	1	3 409 82	20	1	3 411 05	25	1	3 411 99	16	1
3 407 59	19	14	3 409 11	23	1	3 409 83	20	1	3 411 06	25	1	3 412 00	16	1
3 407 68	19	8	3 409 12	23	1	3 409 84	20	1	3 411 07	25	1	3 412 01	16	1
3 407 69	19	1	3 409 13	23	1	3 409 85	20	1	3 411 08	25	1	3 412 02	16	1
3 407 78	19	1	3 409 14	23	1	3 409 86	20	1	3 411 09	25	1	3 412 03	16	1
3 407 79	19	1	3 409 15	23	1	3 409 87	20	1	3 411 10	25	1	3 412 04	16	1
3 407 88	26	1	3 409 16	23	1	3 409 88	20	1	3 411 11	25	1	3 412 05	16	1
3 407 89	23	1	3 409 17	23	1	3 409 89	20	1	3 411 12	25	1	3 412 06	16	1
3 407 98	22	14	3 409 18	23	1	3 409 90	20	1	3 411 13	25	1	3 412 07	16	1
3 407 99	22	5	3 409 19	23	1	3 409 91	20	1	3 411 14	25	1	3 412 54	17	1
3 408 08	22	5	3 409 20	23	1	3 409 92	20	1	3 411 15	25	1	3 412 55	17	1
3 408 09	22	5	3 409 21	23	1	3 409 93	20	1	3 411 16	25	1	3 412 56	17	1
3 408 18	22	5	3 409 22	23	1	3 409 94	20	1	3 411 17	25	1	3 412 57	17	1
3 408 19	22	5	3 409 23	23	1	3 409 95	20	1	3 411 18	25	1	3 412 58	17	1
3 408 25	22	2	3 409 24	23	1	3 409 96	20	1	3 411 19	25	1	3 412 59	17	1
3 408 26	22	2	3 409 25	23	1	3 409 97	20	1	3 411 20	25	1	3 412 60	17	1
3 408 27	22	2	3 409 26	23	1	3 409 98	20	1	3 411 21	25	1	3 412 61	17	1
3 408 28	22	2	3 409 27	23	1	3 409 99	20	1	3 411 22	25	1	3 412 62	17	1
3 408 29	22	2	3 409 28	23	1	3 410 00			3 411 23	25	1	3 412 63	17	1
3 408 30	24	1	3 409 29	23	1				3 411 24	25	1	3 412 64	17	1
3 408 38	20	1	3 409 30	23	1	3 410 00	20	1	3 411 25	26	1	3 412 65	17	1
3 408 39	21	1	3 409 31	23	1	3 410 01	20	1	3 411 26	26	1	3 412 66	17	1
3 408 61	23	40	3 409 32	23	1	3 410 02	26	1	3 411 27	26	1	3 412 67	17	1
3 408 62	23	8	3 409 33	23	1	3 410 07	21	1	3 411 28	26	1	3 412 68	17	1
3 408 63	16	12	3 409 34	23	1	3 410 08	25	1	3 411 29	26	1	3 412 69	17	1
3 408 64	16	12	3 409 35	23	1	3 410 30	21	1	3 411 30	26	1	3 412 70	17	1
3 408 65	16	14	3 409 36	24	1	3 410 31	21	1	3 411 31	26	1	3 412 71	17	1
3 408 66	16	10	3 409 37	24	1	3 410 32	21	1	3 411 32	26	1	3 412 72	17	1
3 408 67	16	1	3 409 38	24	1	3 410 33	21	1	3 411 33	26	2	3 412 73	17	1
3 408 68	16	1	3 409 39	24	1	3 410 34	21	1	3 411 34	26	1	3 412 74	17	1
3 408 69	23	1	3 409 40	24	1	3 410 35	21	1	3 411 35	26	1	3 412 75	17	1
3 408 70	24	18	3 409 41	24	1	3 410 36	21	1	3 411 36	26	1	3 412 76	17	1
3 408 71	24	8	3 409 42	24	1	3 410 37	21	1	3 411 37	26	1	3 412 77	17	1
3 408 72	17	28	3 409 43	24	1	3 410 38	21	1	3 411 38	26	1	3 414 48	18	1
3 408 73	17	12	3 409 44	24	1	3 410 39	21	1	3 411 39	26	1	3 414 49	18	1
3 408 74	17	10	3 409 45	24	1	3 410 40	21	1	3 411 40	26	1	3 414 50	18	1
3 408 75	17	10	3 409 46	24	1	3 410 41	21	1	3 411 41	26	1	3 414 51	18	1
3 408 76	17	1	3 409 47	24	1	3 410 42	21	1	3 411 42	26	1	3 414 52	18	1
3 408 77	17	1	3 409 48	24	1	3 410 43	21	1	3 411 43	26	1	3 414 53	18	1
3 408 78	24	8	3 409 49	24	1	3 410 44	21	1	3 411 44	26	1	3 414 54	18	1
3 408 79	25	16	3 409 50	24	1	3 410 45	21	1	3 411 45	26	1	3 414 55	18	1
3 408 80	25	10	3 409 51	24	1	3 410 46	21	1	3 411 46	26	1	3 414 56	18	1
3 408 81	18	8	3 409 52	24	1	3 410 47	21	1	3 411 47	26	1	3 414 57	18	1
3 408 82	18	14	3 409 53	24	1	3 410 48	21	1	3 411 48	26	1	3 414 58	18	1
3 408 83	18	14	3 409 54	24	1	3 410 49	21	1	3 411 49	26	1	3 414 59	18	1
3 408 84	18	1	3 409 55	24	1	3 410 50	21	1	3 411 50	26	1	3 414 60	18	1
3 408 85	18	1	3 409 56	24	1	3 410 51	21	1	3 411 51	26	1	3 414 61	18	1
3 408 86	18	1	3 409 57	24	1	3 410 52	21	1	3 411 52	26	1	3 414 62	18	1
3 408 87	25	1	3 409 58	24	1	3 410 53	21	1	3 411 53	26	1	3 414 63	18	1
3 408 88	22	40	3 409 59	24	1	3 410 54	21	1	3 411 54	26	1	3 414 64	18	1
3 408 89	22	6	3 409 60	24	1	3 410 55	21	1	3 411 75	22	5	3 414 65	18	1
			3 409 61	24	1	3 410 56	21	1	3 411 76	22	5	3 414 66	18	1
			3 409 62	24	1				3 411 84	16	1	3 414 67	18	1

Cat.No	Page N°	Pack	Cat.No	Page N°	Pack	Cat.No	Page N°	Pack	Cat.No	Page N°	Pack	Cat.No	Page N°	Pack
3 414 68	18	1	3 428 67	16	1	3 429 50	24	1	3 430 53	21	1	3 431 79	22	2
3 414 69	18	1	3 428 68	16	1	3 429 51	24	1	3 430 54	21	1	3 431 84	16	1
3 414 70	18	1	3 428 70	24	18	3 429 52	24	1	3 430 55	21	1	3 431 85	16	1
3 414 71	18	1	3 428 71	24	8	3 429 53	24	1	3 430 56	21	1	3 431 86	16	1
3 414 74	19	1	3 428 72	17	28	3 429 54	24	1	3 430 57	21	1	3 431 87	16	1
3 414 75	19	1	3 428 73	17	12	3 429 55	24	1	3 430 58	21	1	3 431 88	16	1
3 414 76	19	1	3 428 74	17	10	3 429 56	24	1	3 430 59	21	1	3 431 89	16	1
3 414 77	19	1	3 428 75	17	10	3 429 57	24	1	3 430 95	25	1	3 431 90	16	1
3 414 78	19	1	3 428 76	17	1	3 429 58	24	1	3 430 96	25	1	3 431 91	16	1
3 414 79	19	1	3 428 77	17	1	3 429 59	24	1	3 430 97	25	1	3 431 92	16	1
3 414 80	19	1	3 428 79	25	16	3 429 60	24	1	3 430 98	25	1	3 431 93	16	1
3 414 81	19	1	3 428 80	25	10	3 429 61	24	1	3 430 99	25	1	3 431 94	16	1
3 414 82	19	1	3 428 81	18	8	3 429 62	24	1	3 431 00	25	1	3 431 95	16	1
3 414 83	19	1	3 428 82	18	14	3 429 63	24	1	3 431 01	25	1	3 431 96	16	1
3 414 84	19	1	3 428 83	18	14	3 429 64	24	1	3 431 02	25	1	3 431 97	16	1
3 414 85	19	1	3 428 84	18	1	3 429 65	24	1	3 431 03	25	1	3 431 98	16	1
3 414 86	19	1	3 428 85	18	1	3 429 71	20	1	3 431 04	25	1	3 431 99	16	1
3 414 87	19	1	3 428 86	18	1	3 429 72	20	1	3 431 05	25	1	3 432 00	16	1
3 414 88	19	1	3 428 88	22	40	3 429 73	20	1	3 431 06	25	1	3 432 01	16	1
3 414 89	19	1	3 428 89	22	6	3 429 74	20	1	3 431 07	25	1	3 432 02	16	1
3 414 90	19	1	3 428 90	22	6	3 429 75	20	1	3 431 08	25	1	3 432 03	16	1
3 414 91	19	1	3 428 91	22	10	3 429 76	20	1	3 431 09	25	1	3 432 04	16	1
3 414 92	19	1	3 428 92	22	10	3 429 77	20	1	3 431 10	25	1	3 432 05	16	1
3 414 93	19	1	3 428 93	22	10	3 429 78	20	1	3 431 11	25	1	3 432 06	16	1
3 414 94	19	1	3 428 94	22	5	3 429 79	20	1	3 431 12	25	1	3 432 07	16	1
3 414 95	19	1	3 428 95	22	5	3 429 80	20	1	3 431 13	25	1	3 432 54	17	1
3 414 96	19	1	3 428 96	22	6	3 429 81	20	1	3 431 14	25	1	3 432 55	17	1
3 414 97	19	1	3 428 97	22	6	3 429 82	20	1	3 431 15	25	1	3 432 56	17	1
3 415 16	14	4	3 428 99	25	1	3 429 83	20	1	3 431 16	25	1	3 432 57	17	1
3 415 34	14	4	3 429 06	23	1	3 429 84	20	1	3 431 17	25	1	3 432 58	17	1
3 415 90	14	4	3 429 07	23	1	3 429 85	20	1	3 431 18	25	1	3 432 59	17	1
3 416 57	14	4	3 429 08	23	1	3 429 86	20	1	3 431 19	25	1	3 432 60	17	1
3 419 36	23	1	3 429 09	23	1	3 429 87	20	1	3 431 20	25	1	3 432 61	17	1
3 420 00			3 429 10	23	1	3 429 88	20	1	3 431 21	25	1	3 432 62	17	1
			3 429 11	23	1	3 429 89	20	1	3 431 22	25	1	3 432 63	17	1
			3 429 12	23	1	3 429 90	20	1	3 431 23	25	1	3 432 64	17	1
3 421 52	14	2	3 429 13	23	1	3 429 91	20	1	3 431 24	25	1	3 432 65	17	1
3 421 53	14	2	3 429 14	23	1	3 429 92	20	1	3 431 25	26	1	3 432 66	17	1
3 421 54	14	2	3 429 15	23	1	3 429 93	20	1	3 431 26	26	1	3 432 67	17	1
3 421 55	14	2	3 429 16	23	1	3 429 94	20	1	3 431 27	26	1	3 432 68	17	1
3 421 56	14	2	3 429 17	23	1	3 429 95	20	1	3 431 28	26	1	3 432 69	17	1
3 421 69	14	2	3 429 18	23	1	3 429 96	20	1	3 431 29	26	1	3 432 70	17	1
3 421 70	14	2	3 429 19	23	1	3 429 97	20	1	3 431 30	26	1	3 432 71	17	1
3 421 71	14	2	3 429 20	23	1	3 429 98	20	1	3 431 31	26	1	3 432 72	17	1
3 421 72	14	2	3 429 21	23	1	3 429 99	20	1	3 431 32	26	1	3 432 73	17	1
3 427 48	26	6	3 429 22	23	1	3 430 00			3 431 33	26	1	3 432 74	17	1
3 427 49	26	14	3 429 23	23	1	3 430 00	20	1	3 431 34	26	1	3 432 75	17	1
3 427 58	19	14	3 429 24	23	1	3 430 30	21	1	3 431 35	26	1	3 432 76	17	1
3 427 59	19	14	3 429 25	23	1	3 430 31	21	1	3 431 36	26	1	3 432 77	17	1
3 427 68	19	8	3 429 26	23	1	3 430 32	21	1	3 431 37	26	1	3 433 14	23	1
3 427 69	19	1	3 429 27	23	1	3 430 33	21	1	3 431 38	26	1	3 433 23	24	1
3 427 78	19	1	3 429 28	23	1	3 430 34	21	1	3 431 39	26	1	3 433 37	22	1
3 427 79	19	1	3 429 29	23	1	3 430 35	21	1	3 431 40	26	1	3 433 54	22	1
3 427 89	23	1	3 429 30	23	1	3 430 36	21	1	3 431 41	26	1	3 433 77	25	1
3 427 98	22	14	3 429 31	23	1	3 430 37	21	1	3 431 42	26	1	3 433 86	26	1
3 427 99	22	5	3 429 32	23	1	3 430 38	21	1	3 431 43	26	1	3 434 48	18	1
3 428 08	22	5	3 429 33	23	1	3 430 39	21	1	3 431 44	26	1	3 434 49	18	1
3 428 09	22	5	3 429 34	23	1	3 430 40	21	1	3 431 45	26	1	3 434 50	18	1
3 428 18	22	5	3 429 35	23	1	3 430 41	21	1	3 431 46	26	1	3 434 51	18	1
3 428 19	22	5	3 429 36	24	1	3 430 42	21	1	3 431 47	26	1	3 434 52	18	1
3 428 25	22	2	3 429 37	24	1	3 430 43	21	1	3 431 48	26	1	3 434 53	18	1
3 428 26	22	2	3 429 38	24	1	3 430 44	21	1	3 431 49	26	1	3 434 54	18	1
3 428 27	22	2	3 429 39	24	1	3 430 45	21	1	3 431 50	26	1	3 434 55	18	1
3 428 28	22	2	3 429 40	24	1	3 430 46	21	1	3 431 51	26	1	3 434 56	18	1
3 428 29	22	1	3 429 41	24	1	3 430 47	21	1	3 431 52	26	1	3 434 57	18	1
3 428 30	20	1	3 429 42	24	1	3 430 48	21	1	3 431 53	26	1	3 434 58	18	1
3 428 39	21	1	3 429 43	24	1	3 430 49	21	1	3 431 54	26	1	3 434 59	18	1
3 428 61	23	40	3 429 44	24	1	3 430 50	21	1	3 431 75	22	5	3 434 60	18	1
3 428 62	23	8	3 429 45	24	1	3 430 51	21	1	3 431 76	22	5	3 434 61	18	1
3 428 63	16	12	3 429 46	24	1	3 430 52	21	1	3 431 78	22	2	3 434 62	18	1
3 428 64	16	12	3 429 47	24	1									
3 428 65	16	14	3 429 48	24	1									
3 428 66	16	10	3 429 49	24	1									

Cablofil catalogue number index






Cat.No	Page N°	Pack	Cat.No	Page N°	Pack	Cat.No	Page N°	Pack	Cat.No	Page N°	Pack	Cat.No	Page N°	Pack
0 027 00			2 723 83	35	5	5 570 50	30	8	5 591 67	45	50	5 866 47	39	5
0 027 00	29	5	3 480 00			5 570 53	30	8	5 591 77	45	50	5 866 50	39	5
0 027 03	29	5	3 485 17	27	50	5 570 60	30	8	5 591 87	45	50	5 866 57	39	5
0 027 10	29	5	3 485 30	39	5	5 570 63	30	8	5 591 97	45	50	5 867 11	15	12
0 027 13	29	5	3 485 31	39	5	5 571 90	29	10	5 592 20	39	1	5 867 18	15	12
0 027 20	29	5	3 485 32	39	5	5 571 93	29	10	5 593 01	40	10	5 867 21	15	12
0 027 23	29	5	3 500 00			5 572 03	34	1	5 595 07	46	1	5 867 28	15	12
0 027 60	38	20	3 505 24	15	12	5 572 13	34	1	5 595 47	46	1	5 867 31	15	12
0 027 63	38	20	3 505 37	41	10	5 572 33	34	1	5 596 77	45	1	5 867 38	15	12
0 027 70	38	10	3 505 38	41	10	5 572 43	34	1	5 597 07	46	1	5 867 41	15	12
0 027 73	38	10	5 220 00			5 572 53	34	1	5 610 00			5 867 48	15	12
0 027 80	38	10	5 221 40	29	30	5 572 63	34	1	5 611 00	31	10	5 868 10	36	50
0 027 83	38	10	5 221 41	29	30	5 572 73	34	1	5 611 03	31	10	5 868 20	36	100
0 110 00			5 221 42	29	20	5 572 80	29	20	5 850 00			5 868 30	36	50
0 111 00	45	1	5 221 43	29	20	5 572 83	29	20	5 850 80	43	100	5 868 40	36	50
0 120 00			5 221 44	29	30	5 572 90	29	20	5 850 90	42	10	5 950 00		
0 127 60	38	10	5 221 45	29	30	5 572 93	29	20	5 850 93	42	10	5 950 13	33	20
0 127 63	38	10	5 560 00			5 573 00	27	25	5 850 94	42	10	5 950 23	33	20
0 127 70	38	10	5 561 00	28	5	5 573 03	27	25	5 851 40	44	25	5 950 33	33	16
0 127 73	38	10	5 561 03	28	5	5 573 10	27	25	5 851 43	44	25	5 950 43	33	12
0 127 80	38	10	5 561 10	28	5	5 573 13	27	25	5 851 45	44	20	5 950 53	33	8
0 127 83	38	10	5 561 13	28	5	5 573 33	27	25	5 851 50	44	25	5 950 63	33	8
0 130 00			5 561 20	28	5	5 573 83	34	1	5 851 53	44	25	5 960 00		
0 130 10	35	1	5 561 23	28	5	5 578 60	32	10	5 851 60	44	10	5 960 33	33	8
0 130 13	35	1	5 561 30	28	20	5 578 70	32	10	5 851 67	44	10	5 960 43	33	4
0 130 20	35	1	5 561 33	28	20	5 578 80	32	10	5 853 27	43	25	5 960 53	33	4
0 130 23	35	1	5 561 40	28	10	5 578 90	32	10	5 853 57	42	10	5 960 63	33	4
0 130 30	35	1	5 561 43	28	10	5 580 00			5 853 67	42	10	5 970 00		
0 130 33	35	1	5 561 50	28	8	5 580 11	11	50	5 853 77	42	10	5 970 13	32	24
0 131 50	35	10	5 561 53	28	8	5 580 13	11	50	5 853 87	42	10	5 970 23	32	24
0 131 53	35	10	5 562 00	29	20	5 580 21	11	50	5 853 97	42	10	5 970 33	32	20
0 132 00	35	10	5 562 03	29	20	5 580 27	11	50	5 854 07	42	10	5 970 43	32	16
0 132 03	35	10	5 562 10	29	20	5 580 31	11	50	5 854 27	43	25	5 977 00	38	15
0 132 03	35	10	5 562 13	29	20	5 580 37	11	50	5 860 00			5 977 03	38	15
0 133 00	35	10	5 562 20	29	20	5 580 41	11	50	5 860 20	37	50	5 977 10	38	15
0 133 03	35	10	5 562 23	29	20	5 580 43	11	50	5 860 23	37	50	5 977 13	38	15
0 134 00	35	10	5 562 30	29	20	5 580 47	11	50	5 860 31	37	50	5 977 20	38	10
0 134 03	35	10	5 562 33	29	20	5 580 87	11	50	5 860 37	37	50	5 977 23	38	10
0 135 00	35	10	5 563 00	28	10	5 580 91	11	50	5 860 60	27	25	5 977 30	38	10
0 135 03	35	10	5 563 03	28	10	5 580 97	11	50	5 860 63	27	25	5 977 33	38	10
0 135 50	35	20	5 563 10	28	10	5 581 37	36	50	5 860 64	27	25	5 990 00		
0 135 53	35	20	5 563 13	28	10	5 581 80	36	50	5 860 70	35	5	5 990 07	34	50
0 136 00	35	10	5 563 20	28	10	5 582 01	12	50	5 860 73	35	5	8 010 00		
0 136 03	35	10	5 563 23	28	10	5 582 03	12	50	5 861 30	27	25	8 010 11	11	100
2 720 00			5 563 30	28	10	5 582 11	12	50	5 861 33	27	25	8 010 17	11	100
2 723 00	35	10	5 563 33	28	10	5 582 13	12	50	5 861 34	27	25	8 012 01	11	100
2 723 03	35	10	5 563 40	28	4	5 582 21	12	50	5 861 50	37	20	8 090 00		
2 723 10	35	10	5 563 43	28	4	5 582 23	12	50	5 861 53	37	20	8 091 09	45	50
2 723 13	35	10	5 563 50	28	4	5 582 41	13	50	5 861 70	39	5	8 091 19	45	50
2 723 20	35	10	5 563 53	28	4	5 582 47	13	50	5 861 73	39	5	8 091 29	45	50
2 723 23	35	10	5 570 00			5 582 60	13	10	5 862 00	36	10	8 400 00		
2 723 30	35	10	5 570 10	30	20	5 584 10	13	50	5 862 10	36	50	8 402 31	12	25
2 723 33	35	10	5 570 13	30	20	5 584 17	13	50	5 862 30	41	25	8 402 33	12	25
2 723 40	35	10	5 570 20	30	4	5 589 54	11	50	5 862 37	41	25	8 400 00		
2 723 43	35	10	5 570 23	30	4	5 590 00			5 862 50	41	10	8 402 31	12	25
2 723 60	35	10	5 570 30	30	10	5 590 33	40	10	5 862 57	41	10	8 402 33	12	25
2 723 63	35	10	5 570 33	30	10	5 590 43	40	10	5 863 00	36	10	8 400 00		
2 723 70	35	10	5 570 40	30	10	5 590 63	40	20	5 864 00	36	10	8 402 31	12	25
2 723 73	35	10	5 570 43	30	10	5 591 17	45	50	5 865 00	36	10	8 402 33	12	25
2 723 80	35	5	5 580 00			5 591 47	45	50	5 866 00	36	10	8 400 00		
2 720 00			5 570 00			5 590 00			5 860 00			8 400 00		

Notes

Notes



FOLLOW US
ALSO ON

- @ legrand.com
-  youtube.com/user/legrand
-  facebook.com/Legrand
-  twitter.com/Legrand
-  pinterest.com/legrandgroup
-  instagram.com/legrandnews



Head office
and International Department
87045 Limoges Cedex - France
Tel. : + 33 (0) 5 55 06 87 87
Fax: + 33 (0) 5 55 06 74 55