



# Weatherproof enclosures for all corrosive environments



Used to create totally isolated assemblies

- ▶ **Robust and safe installations** thanks to class II and fiber glass reinforced polyester cabinets
- ▶ **8 sizes of cabinets and 3 sizes of enclosures** from 300 x 220 x 160 mm to 1800 x 800 x 400 mm
- ▶ **Equipment fixed directly at the back of cabinets** thanks to complete range of accessories

## Marina cabinets polyester - IP 66 - IK 10



362 56



362 76



Technical characteristics (p. 263)

IP 66 according to IEC EN 60529  
LCIE in process  
IK 10 according to IEC EN 62262  
Class II (used to create totally isolated assemblies acc. to EN 60439-1)  
Fiber glass reinforced polyester  
Self-extinguishing 960°C acc. to IEC EN 60695-2-11  
Adapted to corrosive environment  
Reversible door opening 180°, (except Cat.No 362 50)  
Stainless steel hinge pins (except Cat.No 362 50)  
2 double bar lock (1 for Cat.No 362 50)  
Key-locking possibility with handle Cat.No 368 05 + key barrel (p. 270)  
Direct fixing of equipment at bottom of cabinet (screws supplied)  
Possible to fit a partial plate from 500 x 400 x 200 mm and/or rails on intermediate studs (except for Cat.No 362 50)  
Optional depth adjustment from height 400 x width 300 mm with Cat.No 362 42

Pack	Cat.Nos	RAL 7035 cabinets	
		External dimensions (mm) Height x Width x Depth	Corresponding metal cabinets (mm) Height x Width x Depth
1	362 50	300 x 220 x 160	300 x 200 x 160
1	362 51	400 x 300 x 206	400 x 300 x 200
1	362 52	500 x 400 x 206	500 x 400 x 200
1	362 55	610 x 400 x 257	600 x 400 x 250
1	362 56	720 x 510 x 250	700 x 500 x 250
1	362 61	820 x 610 x 300	800 x 600 x 300
1	362 63	1020 x 810 x 300	1000 x 800 x 300
1	362 64	1220 x 810 x 300	1200 x 800 x 300

		RAL 7035 cabinets with glass door	
		External dimensions (mm) Height x Width x Depth	Window dimensions (mm) Height x Width
1	362 71	400 x 300 x 206	235 x 145
1	362 72	500 x 400 x 206	335 x 245
1	362 75	610 x 400 x 257	463 x 245
1	362 76	720 x 510 x 250	570 x 272
1	362 81	820 x 610 x 300	672 x 372
1	362 83	1020 x 810 x 300	770 x 495
1	362 84	1220 x 810 x 300	970 x 495

# Marina cabinets equipment



Example of cabinets Cat.No 362 61 associated and equipped:  
 - Lugs Cat.No 364 09  
 - Internal door Cat.No 363 63 (p. 295)  
 - Cabstop plate + kit Cat.No 364 98  
 - Twin kit Cat.No 362 44  
 - Depth adjustment kit Cat.No 362 42

**Technical characteristics (p. 263)**

Pack	Cat.Nos	<b>Plinths RAL 7035</b>
		Height 170 mm Front and rear trap door Possibility to overlap 2 plinths For cabinets
1	362 91	Width x Depth (mm) 600 x 300
1	362 92	800 x 300

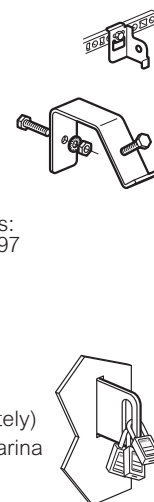
Pack	Cat.Nos	<b>Roof RAL 7035</b>
		For cabinets
1	362 93	Width x Depth (mm) 500 x 250
1	362 94	600 x 300
1	362 95	800 x 300

Pack	Cat.Nos	<b>Fixing accessories</b>
		IP 66 maintained
		<b>Wall mounting lugs</b>
		Set of 4, supplied with screws
		For cabinets
		Height (mm)   Static load max. (kg)
1	364 08	300   100
1	364 09	400 to 1200   150

Pack	Cat.Nos	<b>Rear with threaded rod</b>
10	362 40	M8 for cabinets height ≥ 400 mm Mounting at back of cabinets

Pack	Cat.Nos	<b>On ground</b>
		Stand comprised of 2 feet for fixing cabinets high up Supplied with cabinet fixing screws Conform with standard EN 50125-3 (railway applications, fixed installations)
		For cabinets
		Height (mm)
1	364 36	400-800
1	364 37	1000-1200
1	364 39	Anti-tipping cross-pieces

Pack	Cat.Nos	<b>Accessories</b>
1	362 42	Depth adjustment kit for cabinets depth ≥ 200 mm, for plate or uprights (p. 266, 268)
10	394 49	Set of 4 lugs, supplied with screws
1	364 98	Set of 2 supports for 45° rail slope Supplied with 4 M6 screws, Ø6 mm, nuts and washers
1	362 44	Kit for mounting Cabstop plate on plane surface Enables mounting of 2 Cabstop plates: Cat.Nos 364 94 or 95, and 364 96 or 97 IP 55 maintained
1	365 13	Twin kit (horizontal or vertical) for cabinets ≥ 500 mm height Comprising: - 1 frame for cable crossing and weather proofing - 2 linking pieces for fixing lugs (Cat.No 364 09 to be ordered separately)
		Padlock adaptor stainless steel for Marina cabinets height ≥ 400 mm additional to latches Takes 3 padlocks Ø6 max.



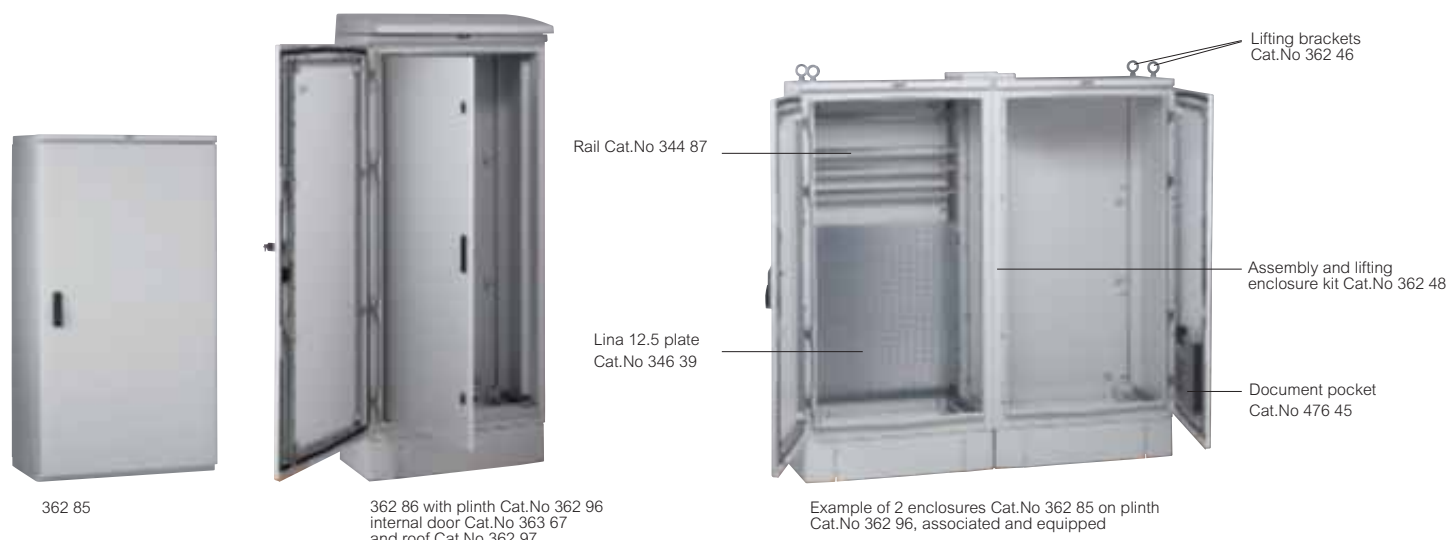
**Other locking accessories (p. 270)**



**Stainless steel stands: please consult us**

# Marina enclosures

polyester - IP 66 - IK 10



**Technical characteristics (p. 264)**

IP 66 according to IEC EN 60529. IK 10 according to EN 622 62 (EN 50102). Class II (Used to create totally isolated assemblies according to EN 60439-1). Fiberglass reinforced polyester. Self-extinguishing 960°C according to IEC EN 60695-2-11. Adapted to corrosive environment. Supplied with fixing kit for plain plates or sectionned uprights. Depth adjustment of equipment. Equipped with low cable entries plate. Reversible door with strand-holder. 3 point closing with handle fitted with 1/2 locking latch 2433 A (other key code, please consult us). Stainless steel hinges and hinges axis.

Pack	Cat.Nos	Enclosures RAL 7035	
		External dimensions (mm) Height x Width x Depth	Corresponding metal enclosures (mm) Height x Width x Depth
1	362 85	1460 x 800 x 463	1400 x 800 x 400
1	362 86	1660 x 800 x 463	1600 x 800 x 400
1	362 87	1860 x 800 x 463	1800 x 800 x 400

Pack	Cat.Nos	Plinths RAL 7035	
1	362 96	Height 170 mm Front and rear trap door Possibility to overlap 2 plinths For enclosure width 800 x depth 400 mm	

Pack	Cat.Nos	Roof RAL 7035	
1	362 97	For enclosure width 800 x depth 400 mm	

Equipment			
Plain plates			
Galvanized steel. Pre-marked pitch 100 mm Admissible load: 200 kg/m <sup>2</sup>			
		For enclosures Height x Width (mm)	Net weight (kg)
1	349 59	1400 x 800	27
1	349 50	1600 x 800	30.5
1	344 18	1800 x 800	34

Lina 12.5 plates			
Galvanized steel. For mounting with sectionned uprights (except plain plate Cat.No 346 08) Admissible load: 50 kg/m <sup>2</sup> Supplied with fixing screws			
		Plates Height x Width (mm)	Net weight (kg)
1	346 39	800 x 800	7.6
1	346 45	1000 x 800	9.6
1	346 08	1400 x 800	13.6

Lina 25 perforated plates			
Zinc steel. For mounting with sectionned uprights (except plain plate Cat.No 346 09) Admissible load: 50 kg/m <sup>2</sup> Supplied with fixing screws			
		Plates Height x Width (mm)	Net weight (kg)
1	346 23	800 x 800	3.5
1	346 33	1000 x 800	4.6
1	346 09	1400 x 800	6.8

Pack	Cat.Nos	Internal doors RAL 7035		
		IP xxB steel. Textured polyester coated steel Double bar lock. Take key barrels and other knockouts (p. 270). Distance between enclosure door and internal door 78 mm. Right or left opening, handle included		
		For cabinets Height x Width (mm)	Dim. (mm) Height x Width	Usable dim. (mm) Height x Width
1	363 66	1400 x 800	1280 x 675	1200 x 580
1	363 67	1600 x 800	1480 x 675	1400 x 580
1	363 68	1800 x 800	1680 x 675	1600 x 580

Sectionned uprights			
For Lina 25  or  rails. Set of 2 uprights zinc steel			
		For enclosures Height (mm)	Length (mm)
1	344 91	1400	1481
1	344 90	1600	1681
1	344 92	1800	1881

Lina 25 rail			
Zinc steel For enclosures width 800 mm Rail length: 690 mm			
10	344 87		
10	344 82		

Screws			
500	366 44	Rivet reinforced plastic Ø6 mm for drilling Ø6.5 mm	
100	347 45	Screw head H 4.8 x 16 mm self-drilling, self-tapping for Ø3.3 mm	
200	347 50	Screw caps for isolation of screw head Cat.No 347 45 inside the trunking	

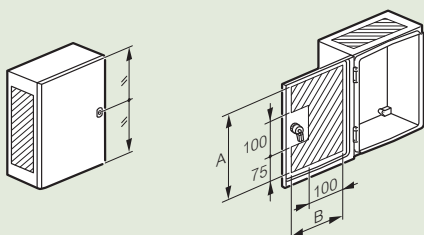
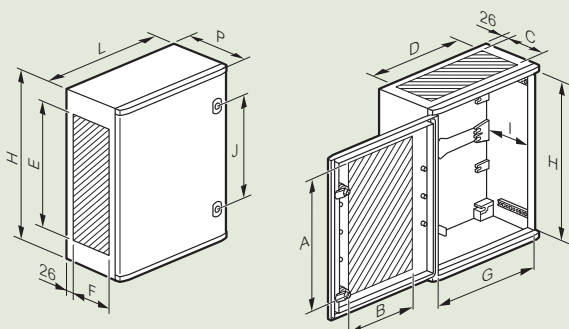
Lifting accessories			
1	362 46	Lifting brackets M14 Set of 4 brackets for max. load 500 kg/m <sup>3</sup> Supplied with blanking plates	
1	362 48	Assembly and lifting enclosures kit: - 2 support brackets - screws - weatherproof seal For 500 kg/m <sup>3</sup> lifting, order separately one set of 4 brackets Cat.No 362 46	

Metal document holder (for plans)				
RAL 7012. Fixed on door				
		For doors width (mm)	Internal dim. in mm Width (mm)   Height (mm)	Depth (mm)
1	476 45	800	425   275	50

# Marina cabinets

polyester - IP 66 - IK 10

## ■ Dimensions, weights and usable areas



Cat.Nos	Usable area (mm)									
	A <sup>(1)</sup>	B <sup>(1)</sup>	C	D	E	F	G	H	I maxi	J
362 50	250	150	105	195	250	115	194	280	130	-
362 51/71	300	180	130	250	260	150	260	350	178	200
362 52/72	400	280	130	350	360	150	360	450	178	300
362 55/75	500	280	180	350	460	180	360	560	225	400
362 56/76	600	340	170	400	560	170	460	662	211	400
362 61/81	700	440	220	500	660	230	560	762	261	500
362 63/83	900	600	220	700	860	230	760	962	261	580
362 64/84	1100	600	220	700	1060	230	960	1162	261	700

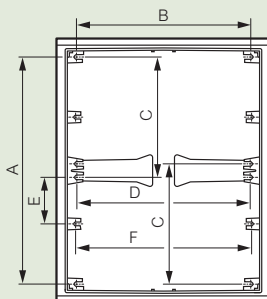
(1) Except window version

Cat.Nos	Dimensions H x W x D (mm)	Weight (kg)	Weight with window door (kg)
362 50	300 x 220 x 160	1.75	-
362 51/71	400 x 300 x 206	3.7	4
362 52/72	500 x 400 x 206	5.1	5.6
362 55/75	610 x 400 x 257	6.4	7
362 56/76	720 x 510 x 250	11.2	12.3
362 61/81	820 x 610 x 300	15.2	16.7
362 63/83	1020 x 810 x 300	21.8	23.9
362 64/84	1220 x 810 x 300	25	27.5

## ■ Equipment fixing

Cat.Nos	A (mm)	B (mm)	C (mm)	D (mm)	E <sup>(1)</sup> (mm)	F (mm)
362 50	263	163	-	-	-	-
362 51/71	325	225	125	225	102.5	228.5
362 52/72	425	325	225	325	87.5	228.5
362 55/75	525	325	325	325	95	328.5
362 56/76	625	425	425	425	100	428.5
362 61/81	725	525	525	525	100	528.5
362 63/83	925	725	725	725	100	728.5
362 64/84	1125	725	925	725	100	728.5

(1) 2 studs on height Cat.No 362 50



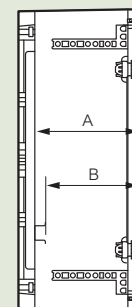
## Partial plates mounting

Cabinet Cat.Nos	Plate dim. (mm)	Plate Cat.Nos		
		Plain	Lina 12.5	Lina 25
362 52/72	300 x 400	360 51	360 04	360 11
362 55/75	400 x 400	360 70	360 05	360 92
362 56/76	500 x 500	360 71	360 14	360 93
362 61/81	600 x 600	360 57	360 24	360 17
362 63/83	800 x 800	360 60	360 34	360 20
362 64/84	1000 x 800	360 61	360 21	360 42

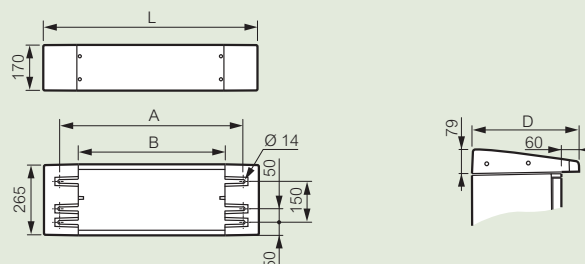


## ■ Adjustment of equipment (optional)

Cat.Nos	Plain plate (mm)		Chassis with rail (mm)	
	A max.	A min. (with Cat.No 362 42)	B max.	B min. (with Cat.No 362 42)
362 50	135	-	-	-
362 51/71	170	70	155	55
362 52/72	170	70	155	55
362 55/75	220	70	205	55
362 56/76	220	70	205	55
362 61/81	270	70	255	55
362 63/83	270	70	255	55
362 64/84	270	70	255	55



## ■ Plinths and roofs



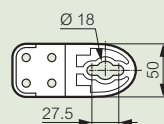
Plinths Cat.Nos	L (mm)	A (mm)	B (mm)	Weight (kg)
362 91	590	480	344	4.8
362 92	790	680	544	5.4

Roofs Cat.Nos	Width (mm)	D (mm)	Weight (kg)
362 93	510	310	1
362 94	612	360	1.3
362 95	812	360	1.7

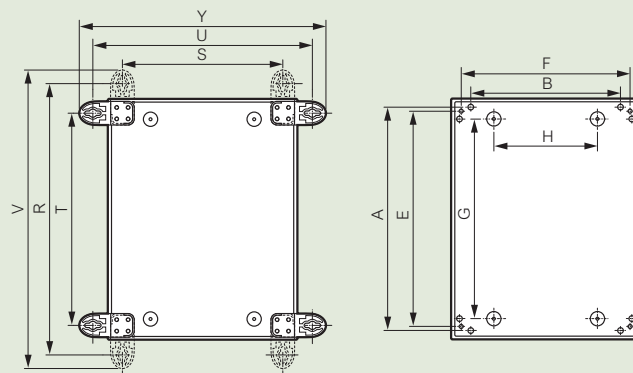
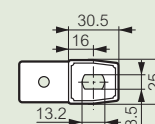
same fixing distances on ground and cabinet side

## ■ Fixing

Cat.No 364 09



Cat.No 364 08



Cat.Nos	On stands 364 36 (mm)		Direct fixing outside mounting plate and stand area 364 37 (mm)		Direct fixing rear of cabinet (mm)		With vertical brackets (mm)			With horizontal brackets (mm)		
	A	B	E	F	G	H	R	S	V	T	U	Y
362 50 <sup>(1/2)</sup>	-	-	-	-	220	150	330	190	359	270	250	279
362 51/71	364	218	358	259	325	120	470	241	525	341	370	425
362 52/72	464	318	458	359	425	220	570	341	625	441	470	525
362 55/75	574	318	558	358	525	220	680	341	735	551	470	525
362 56/76	683	427	664	468	600	200	789	441	844	641	579	634
362 61/81	781	525	764	568	700	300	887	548	942	758	677	732
362 63/83	981	725	964	768	900	500	1087	748	1142	958	877	932
362 64/84	1181	725	1164	768	1100	500	1287	748	1342	1158	877	932

(1) With brackets Cat.No 364 08

(2) S and T dimensions: insert fixing centres

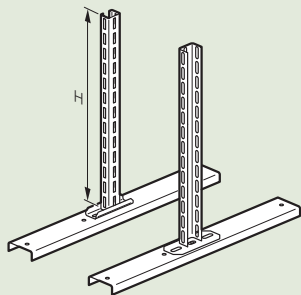
## Marina cabinets

polyester - IP 66 - IK 10

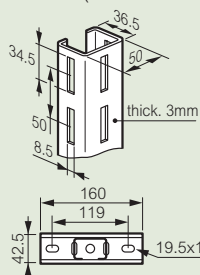
## Marina enclosures

polyester - IP 66 - IK 10

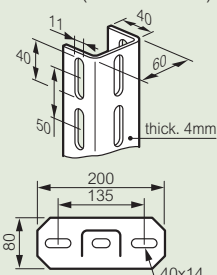
### ■ Stands



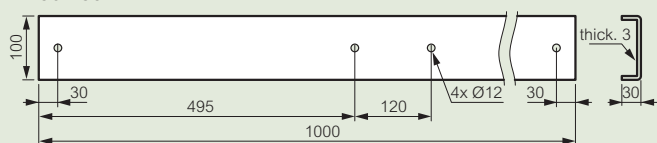
364 36 (H=1203 mm)



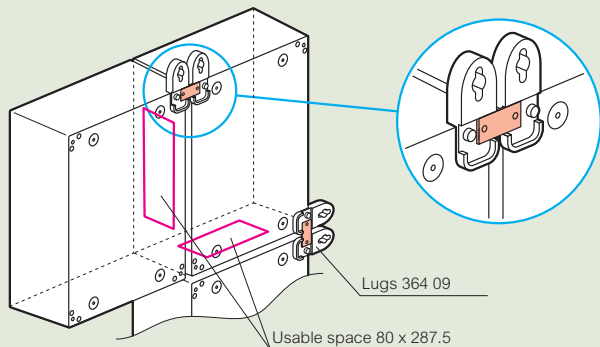
364 37 (H=1603 mm)



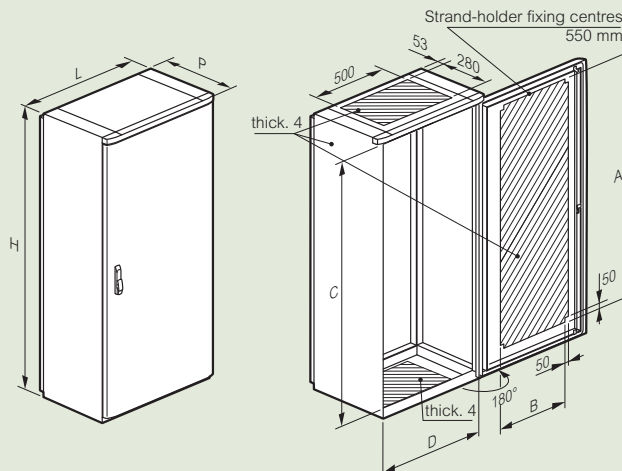
364 39



### ■ Coupling kit for cabinets Cat.No 362 44



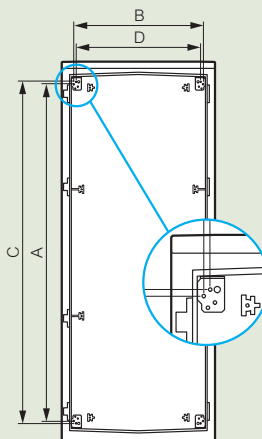
### ■ Dimensions weights and usable areas



Cat.Nos	Dimensions H x W x D (mm)	Weight (kg)	Usable areas (mm)			
			A	B	C	D
362 85	1460 x 800 x 463 <sup>(1)</sup>	49	1230	530	1300	700
362 86	1660 x 800 x 463 <sup>(1)</sup>	53	1430	530	1500	700
362 87	1860 x 800 x 463 <sup>(1)</sup>	57	1630	530	1700	700

(1) 487 with handle

### ■ Equipment fixing

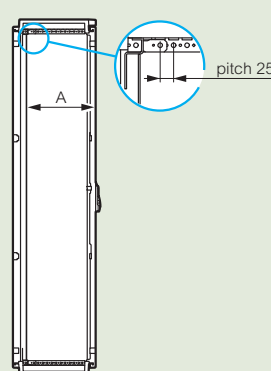


Cat.Nos	Plain plate		Sectioned uprights <sup>(1)</sup>	
	A	B	C	D
362 85	1225	675	1250	630
362 86	1425	675	1450	630
362 87	1625	675	1650	630

(1) for partial plates mounting

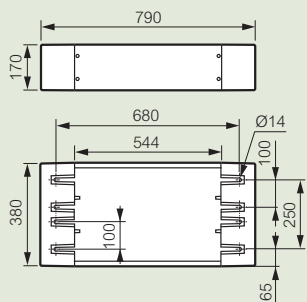
Use profiled uprights for mounting Lina 12.5 partial plates or Lina 25 perforated plates in enclosures 1600 and 1800 mm high

### ■ Adjustment of equipment



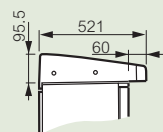
Plain plate (mm)		Partial plate (mm)		Chassis with rail (mm)	
A max	A min	A max	A min	A max	A min
379	109	357	88	351	82

### ■ Plinth Cat.No 362 96



Weight: 7 kg

### ■ Roof Cat.No 362 97

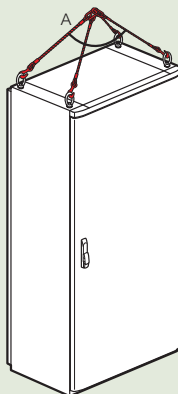


Width: 794 mm  
Weight: 2.5 kg

### ■ Suggested lifting method

4 x 500 kg slings and 4 brackets

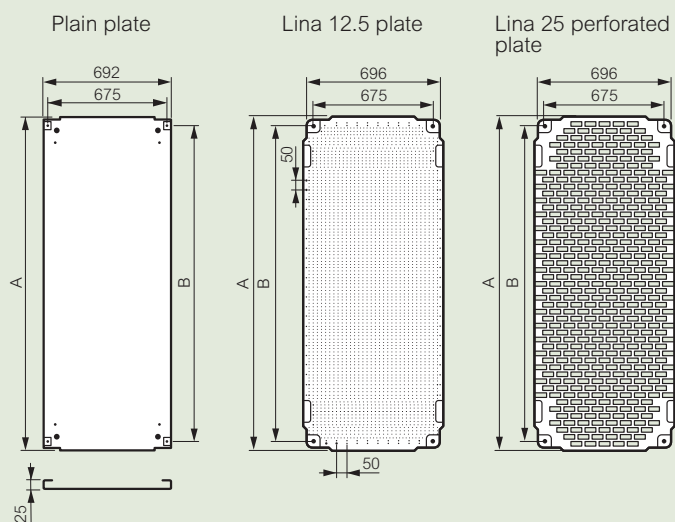
A } 120° → 600 kg  
90° → 800 kg  
60° → 1000 kg



### ■ Plates

Choice of plates

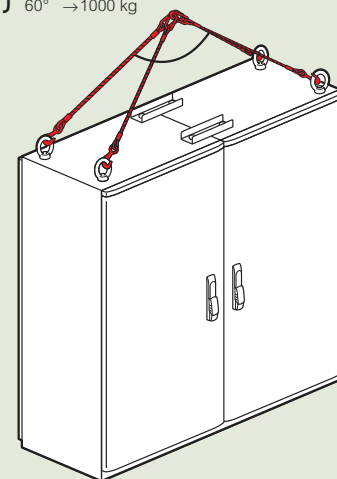
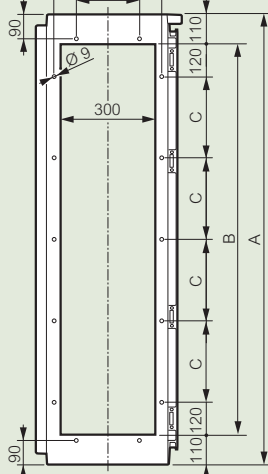
Plate	Enclosures H. 1400 mm	Enclosures H. 1600 mm	Enclosures H. 1800 mm
 Plain	349 59	349 50	344 18
 Lina 12.5	346 08	2 x 346 39 + uprights 344 90	346 45 + 346 39 + uprights 344 92
 Lina 25 perforated	346 09	2 x 346 23 + uprights 344 90	346 33 + 346 23 + uprights 344 92



	Plain		Lina 12.5 and Lina 25 perforated	
	A	B	A	B
800	-	-	721	675
1000	-	-	921	875
1400	1292	1225	1296	1250
1600	1492	1425	-	-
1800	1692	1625	-	-

### ■ Assembly and lifting kit Cat.No 362 48 and lifting kit Cat.No 362 46

A } 120° → 600 kg  
90° → 800 kg  
60° → 1000 kg



Enclosures Cat.Nos	Enclosures dimensions (mm)	Dimensions (mm)		
		A	B	C
362 85	1400 x 800 x 400	1460	1240	250
362 86	1600 x 800 x 400	1660	1440	300
362 87	1800 x 800 x 400	1860	1640	350

A } 90° → 800 kg  
60° → 900 kg

