



Emergency lighting units

Safety in public areas



THEY HAVE SPECIFIED AND INSTALLED LEGRAND PRODUCTS:

Railway Station: Charleroi | Belgium

Fire Centre: León | Spain

Novotel: Sevilla | Spain

Public Stadium | Russia

Aeroporto de Congonhas São Paulo: São Paulo | Brazil



Manufactura Shopping Center | Poland

Planet Fitness | South Africa



Safe and reliable signs
in case of emergency

select your emergency lighting luminaire

	Cat.Nos	Mode	IP	Emergency duration	Battery type	Lighting source	Emergency lumen output (in lm)
	Standard						
	617 41	NM	IP 42	1h	Ni-Cd	1 x 8 W	210
	617 36	C	IP 42	1h	Ni-Cd	2 x 8 W	200
	617 42	NM	IP 42	3h	Ni-Cd	1 x 8 W	155
	617 37	C	IP 42	3h	Ni-Cd	2 x 8 W	120
	617 30 ⁽¹⁾	NM	IP 42	1h	Ni-Cd	1 x 8 W	90
	617 34 ⁽¹⁾	NM	IP 42	1h	Ni-Cd	1 x 11 W	500
	617 32 ⁽¹⁾	NM	IP 42	3h	Ni-Cd	1 x 8 W	155
	617 46 ⁽²⁾	C	IP 42	1h	Ni-Cd	2 x 8 W	235
617 47 ⁽²⁾	C	IP 42	3h	Ni-Cd	2 x 8 W	145	
	Standard						
	660 00	NM	IP 42	1h	Ni-Cd	1 x 8 W	140
	660 01	M	IP 42	1h	Ni-Cd	1 x 8 W	140
	660 02	C	IP 42	1h	Ni-Cd	2 x 8 W	140
660 03	NM	IP 42	3h	Ni-Cd	1 x 8 W	110	
NM: Non Maintained C: Combined M: Maintained P: Permanent (1) With two signalling LEDs (2) Double sided for suspension or flag mounting (3) 100-240 V power supply							

G5

self-contained emergency lighting luminaires



617 30



617 41



617 47 + 617 91 + 6608 65

Pack	Cat.Nos	Non-maintained luminaires
		<p>Slim luminaires Certified to IEC 60598-2-22 and EN 60598-2-22 standards Power supply: 230 V +/- 10% - 50/60 Hz IP 42 - IK 07 class II ▽ Suitable for mounting on inflammable surfaces Ni-Cd batteries, high temperature type Recharge time: 24 hours High capacity screw terminals: 2 x 2.5 mm² (mains) Charge monitor: 2 high luminosity amber LEDs or 1 green LED</p>
	Standard	8 W luminaires with 2 high luminosity amber LEDs
1	617 30	1 h - 90 lm
1	617 32	3 h - 155 lm
		11 W luminaires with 2 high luminosity amber LEDs
1	617 34	1 h - 500 lm
		8 W luminaires with a green LED
1	617 41	1 h - 210 lm
1	617 42	3 h - 155 lm

Pack	Cat.Nos	Combined luminaires
		Possibility to turn on and off the maintained tube with an external switch (see the technical leaflet)
	Standard	8 W luminaires with a green LED
1	617 36	1 h - 200 lm
1	617 37	3 h - 120 lm
		8 W double-sided luminaires for suspension or flag mounting
1	617 46	1 h - 235 lm
1	617 47	3 h - 145 lm
		Suspension kit
1	617 91	To install the luminaires Cat.Nos 617 46/47 at 40 cm from the ceiling Chromed colour and metallic accessory
		Flag kit
1	617 92	To install the luminaires Cat.Nos 617 46/47 in flag mounting position Chromed colour and metallic accessory

G5 self-contained emergency lighting luminaires



617 30 + 617 82 + 6608 67



617 46 + 617 92 + 6608 75

Pack	Cat.Nos	Accessories
1	617 82	Double-sided diffuser To replace the one delivered with the luminaire
		Semi-flush mounting frame To install the luminaire in wall or false ceiling, depth: 52 mm
1	617 83	White
1	617 84	Steel
1	617 85	Aluminium
		Flush-mounting frame To install the luminaire in wall or false ceiling, depth: 64 mm
1	617 87	White
1	617 88	Steel
1	617 89	Aluminium

Pack	Cat.Nos	Labels
5	6608 65	310 x 112 mm
5	6608 66	310 x 112 mm
5	6608 67	310 x 112 mm
5	6608 68	310 x 112 mm
5	6608 64	310 x 112 mm
5	6608 69	310 x 112 mm
5	6608 74	EXIT 310 x 112 mm
5	6608 75	310 x 112 mm
5	6608 76	310 x 112 mm

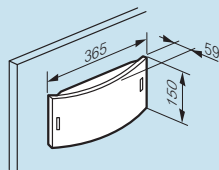
Other signs, please consult us

G5

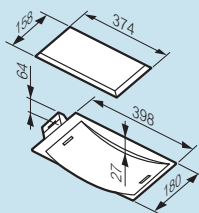
self-contained emergency lighting luminaires

■ Dimensions (in mm)

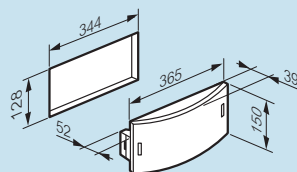
Surface mounting



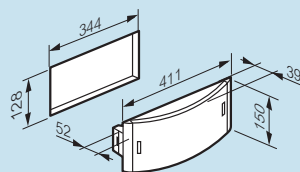
Flush-mounting



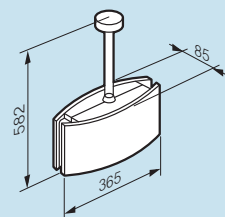
Semi flush-mounting



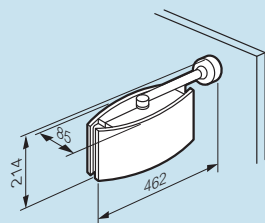
Semi flush-mounting with coloured frame



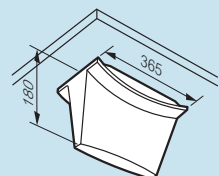
Suspension mounting



Flag mounting



Double-sided mounting



■ Lamps and batteries

Cat.Nos	Emergency lamps	Batteries
617 30	609 41	618 92
617 32	609 41	617 99
617 34	607 53	617 99
617 36	609 41	618 84
617 37	609 41	617 99
617 41	609 41	618 84
617 42	609 41	617 99
617 44	607 53	617 99
617 46	609 41	618 84
617 47	609 41	617 99

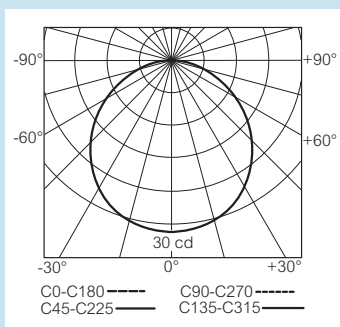
■ Optical data

Luminaire spacing, in metres, to provide 1 lux minimum illuminance

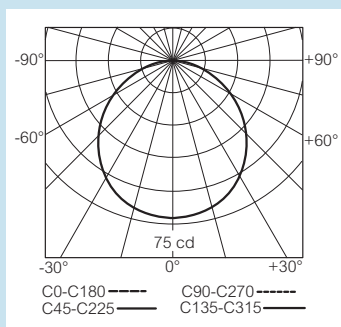
Celling mounting height (m)	Lighting level directly under luminaire (lux)	Axial to wall 	Axial spacing 	Transverse spacing 	Transverse to wall
617 30					
2.5	5.0	2.7	7.0	7.0	2.7
3.0	3.5	2.7	7.4	7.4	2.7
4.0	2.0	2.0	7.6	7.6	2.5
5.0	1.3	1.7	7.4	7.4	1.7
617 41					
2.5	11.6	3.7	9.2	9.2	3.7
3.0	8.0	3.9	10.0	10.0	3.9
4.0	4.5	4.1	10.8	10.8	4.1
5.0	2.9	4.1	10.3	10.3	4.1
6.0	2.0	3.8	11.6	11.6	3.8
617 32/42					
2.5	8.9	3.4	8.6	8.6	3.4
3.0	6.2	3.5	9.0	9.0	3.5
4.0	3.5	3.6	9.8	9.8	3.6
5.0	2.2	3.4	10.2	10.2	3.4
6.0	1.5	2.8	10.2	10.2	2.8
617 34/44					
2.5	29.0	4.9	12.0	12.0	4.9
3.0	20.0	5.3	13.0	13.0	5.3
4.0	11.3	5.9	14.6	14.6	5.9
5.0	7.3	6.2	16.0	16.0	6.2
6.0	5.0	6.4	16.8	16.8	6.4
617 36					
2.5	11.2	3.6	9.2	9.2	3.6
3.0	7.8	3.8	9.8	9.8	3.8
4.0	4.4	4.0	10.6	10.6	4.0
5.0	2.8	4.0	11.2	11.2	4.0
6.0	2.0	3.6	11.4	11.4	3.6
617 37					
2.5	7.8	3.2	8.2	8.2	3.2
3.0	5.5	3.3	8.6	8.6	3.3
4.0	3.0	3.3	9.4	9.4	3.3
5.0	2.0	3.0	9.5	9.5	3.0
6.0	1.3	2.4	9.4	9.4	2.4
617 46					
2.5	6.2	3.0	7.6	7.6	3.0
3.0	4.3	3.0	8.0	8.2	3.0
4.0	2.4	2.9	8.4	8.6	3.0
5.0	1.5	2.4	8.4	8.6	2.5
6.0	1.0	1.2	8.0	8.2	1.3
617 47					
2.5	3.9	2.4	6.4	6.6	2.5
3.0	2.7	2.3	6.6	6.8	2.4
4.0	1.5	1.9	6.8	6.8	2.0
5.0	1.0	-	6.2	6.4	-

■ Distribution of luminous intensity in cd/1000 lm

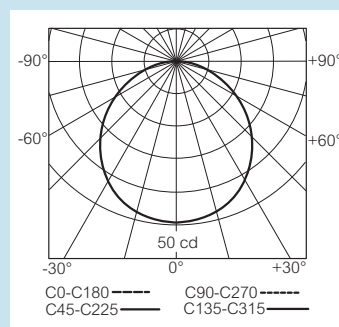
Cat.No 617 30



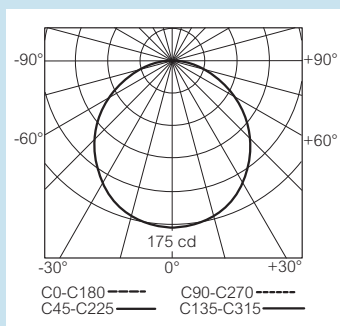
Cat.No 617 41



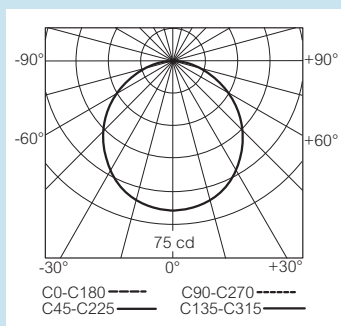
Cat.Nos 617 32/42



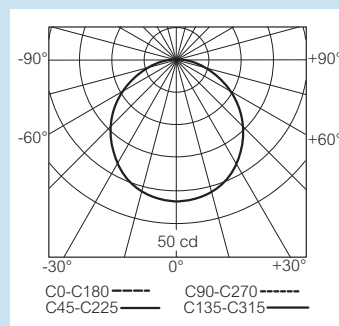
Cat.No 617 34/44



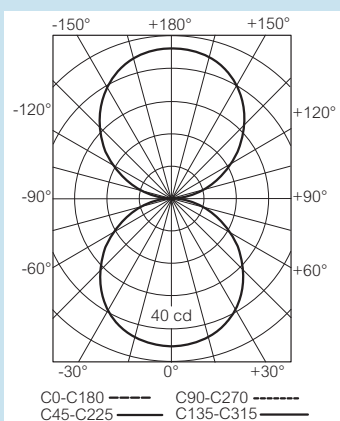
Cat.No 617 36



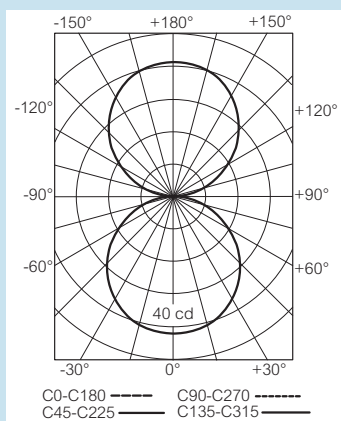
Cat.No 617 37



Cat.No 617 46



Cat.No 617 47



S8
self-contained emergency lighting luminaires



660 00



660 01 + 6608 66



660 03 + 660 90



660 01 + 660 90 + 660 92 + 610 01

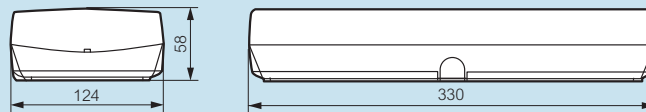
Pack	Cat.Nos	8 W non-maintained, maintained and combined luminaires
		Certified to IEC 60598-2-22 and EN 60598-2-22 standards Power supply: 230 V +/- 10 % - 50/60 Hz IP 42 - Class II Lamp and emergency operation test with a push-button ▽ Suitable for mounting on inflammable surfaces Ni-Cd batteries, high temperature type Recharge time: 24 hours High capacity screw terminals: 2 x 2.5 mm ² Charge monitor with a green LED
		1 h duration - 140 lm
1	660 00	Non-maintained
1	660 01	Maintained
1	660 02	Combined
		3 h duration - 110 lm
1	660 03	Non-maintained
		Accessories
1	660 90	Flush-mounting frame
1	660 92	Double-sided diffuser

Labels (p. 553)

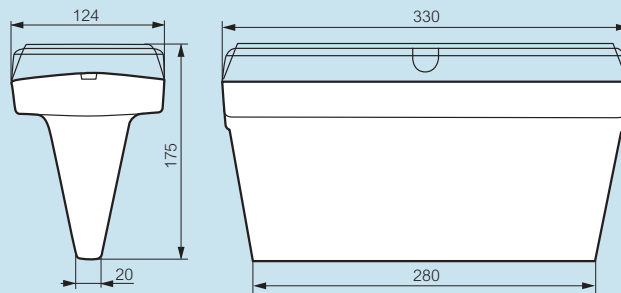
S8
self-contained emergency lighting luminaires

■ Dimensions (in mm)

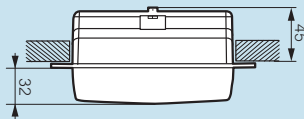
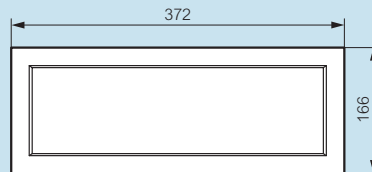
Surface mounting



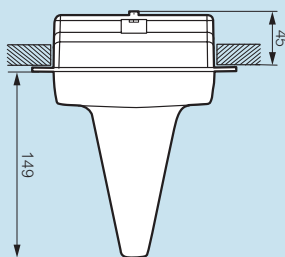
Ceiling mounting with double-sided diffuser



Flush-mounting



With double-sided diffuser



■ Lamps and batteries

Cat.Nos	Emergency lamps	Batteries
660 00/01/02	609 41	618 83
660 03	609 41	618 85

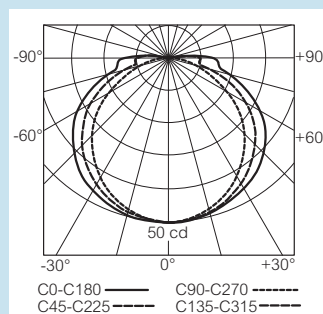
■ Optical data

Luminaire spacing, in metres, to provide 1 lux minimum illuminance

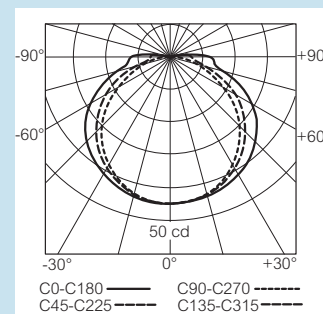
Ceiling mounting height (m)	Lighting level directly under luminaire (lux)	Axial to wall D (m)	Axial spacing D (m)	Transverse spacing D (m)	Transverse to wall D (m)
660 00					
2.5	6.2	3	3.8	4.3	3.3
3	4.3	3	4	4.5	3.4
3.5	3.2	3	4.2	4.7	3.3
4	2.4	2.9	4.3	4.8	3.2
4.5	1.9	2.7	4.3	4.8	3.2
5	1.5	2.5	4.3	4.7	2.7
5.5	1.3	2	4.2	4.6	2.2
6	1.1	1.2	4	4.4	1.3
660 01					
2.5	6.2	3	3.8	4.3	3.3
3	4.3	3	4	4.5	3.4
3.5	3.2	3	4.2	4.7	3.3
4	2.4	2.9	4.3	4.8	3.2
4.5	1.9	2.7	4.3	4.8	3
5	1.5	2.5	4.3	4.7	2.7
5.5	1.3	2	4.2	4.6	2.2
6	1.1	1.2	4	4.4	1.3
660 02					
2.5	6.7	3	3.8	4/4.5	3.2/3.5
3	4.6	3.1	4.1	4.3/4.7	3.3/3.6
3.5	3.4	3.1	4.2	4.4/4.9	3.3/3.5
4	2.6	3	4.4	4.6/5	3.2/3.4
4.5	2	2.9	4.4	4.7/5.1	3.1/3.3
5	1.7	2.6	4.4	4.7/5	2.8/2.9
5.5	1.4	2.3	4.3	4.6/4.9	2.4/2.5
6	1.1	1.6	4.2	4.5/4.8	1.8/1
660 03					
2.5	4.9	2.7	3.5	4	3
3	3.4	2.7	3.7	4.2	3
3.5	2.5	2.6	3.8	4.2	2.9
4	1.9	2.4	3.8	4.2	2.7
4.5	1.5	2.1	3.8	4.2	2.3
5	1.2	1.6	3.7	4.1	1.7
5.5	1	0.5	3.5	3.8	0.5

■ Distribution of luminous intensity in cd/1 000 lm

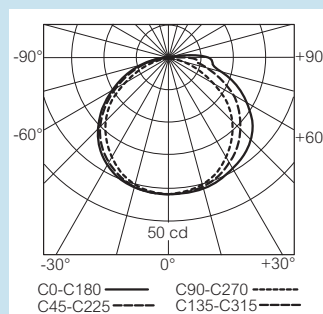
Cat.No 660 00



Cat.No 660 01



Cat.No 660 02



Cat.No 660 03

