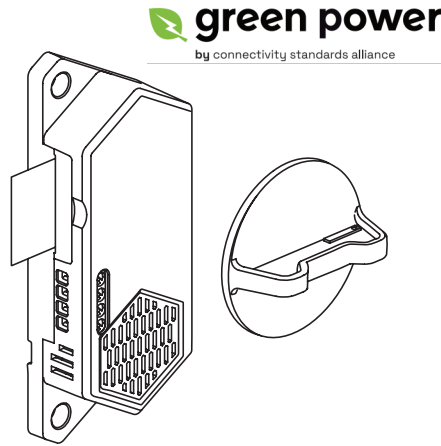
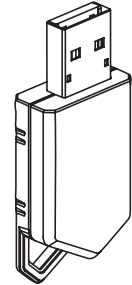


6 460 03



6 460 04



6 460 05

1. GENERAL CHARACTERISTICS

1.1 Présentation

The sensors connect to the switched or metered PDUs via a USB dongle. They must then be switched on.

- 6 460 03 : Wireless temperature/umidity sensor
- 6 460 04 : Wireless opening sensor
- 6 460 05 : USB dongle

2. TECHNICAL SPECIFICATIONS

- 6 460 03/04/05

Frequency band	2400-2483,5 MHz
RF power max.	< 10dBm/10mW

- 6 460 03

Temperature

Measurement range (Celcius)	5°C to 55°C
Measurement resolution (Celcius)	0.1°C
Measurement accuracy (Celcius)	± 1% (5°C to 20°C : ± 2°C 20°C to 55°C : ± 0.5°C)
Measurement range (Fahrenheit)	41°F to 131°F
Measurement resolution (Fahrenheit)	1°F
Measurement accuracy (Fahrenheit)	± 1% (41°F to 68°F : ± 2°F 68°F to 131°F : ± 0.5°F)
Alimentation	A Lithium CR2450, 3 V battery Nominal capacity : 620 mAh Use temperature : +5°C - +55°C

Humidity

Measurement range	0%RH to 100%RH
Measurement resolution	1%
Measurement accuracy	6% (± 2.5%RH at 25°C)
Alimentation	A Lithium CR2450, 3 V battery Nominal capacity : 620 mAh Use temperature : +5°C - +55°C

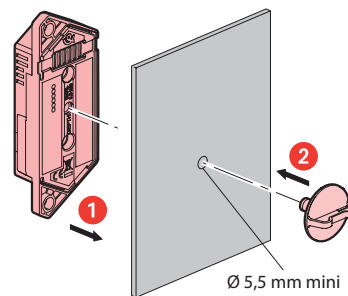
- 6 460 04

Contact number	2
Dry contact only	Yes
Type of contact accepted	Magnetic
Default Configuration	NO (Normally open)
Wire gauge range	14 - 28 AWG
Alimentation	A Lithium CR2450, 3 V battery Nominal capacity : 620 mAh Use temperature : +5°C - +55°C

- 6 460 05

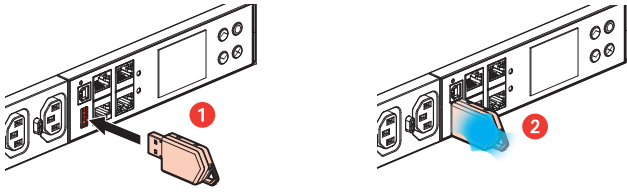
Number of sensors supported by 1 dongle	30
Max dongle/sensor range	Open field : 200m
	Datacenter interior environment : approximately 15m

3. FIXATION



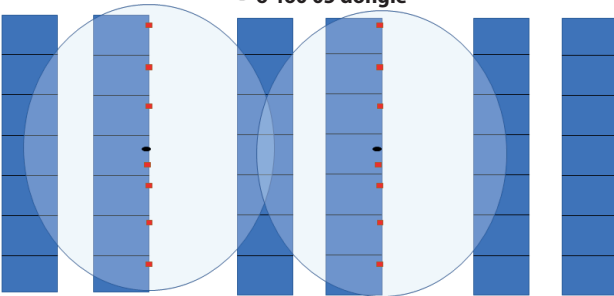
4. INSTALLATION

4.1 DONGLE



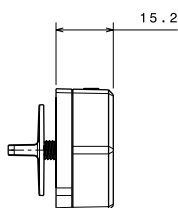
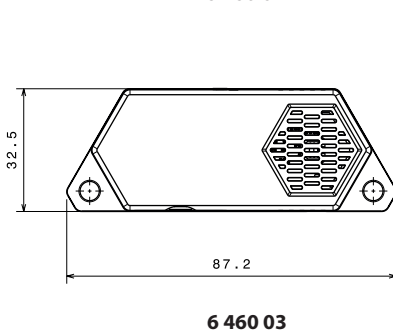
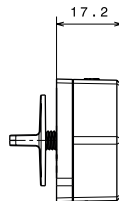
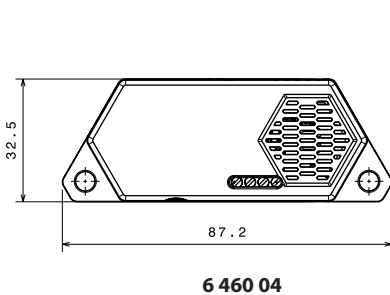
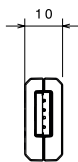
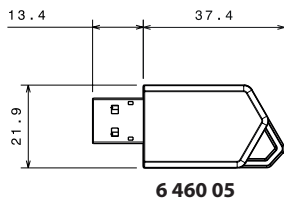
4.2 GENERAL INSTALLATION

- 6 460 03/04 sensors
- 6 460 05 dongle



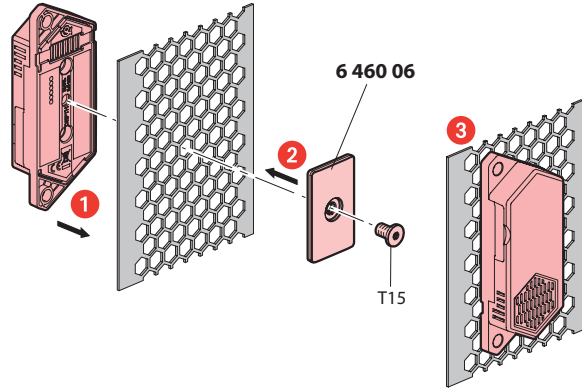
Maximum radius of sensor installation around a dongle : 15m
 Maximum number of sensors per dongle : 30

5. DIMENSIONS



6. ACCESSORIES

- 6 460 06 : Fixation accessory for Minkels perforated doors



7. STANDARDS AND APPROVALS

- IEC62368-1
- ETSI EN 301 489-1
- ETSI EN 301 489-17
- EN 62 311
- EN 300 328 V2.2.2