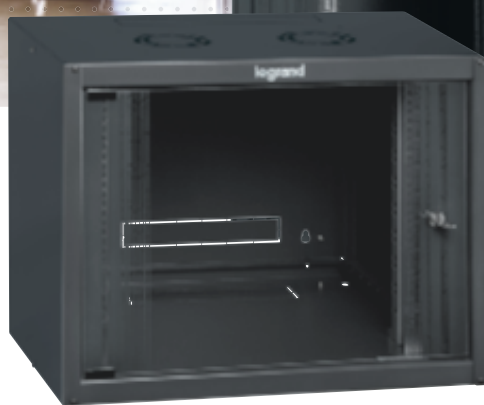


LINKEO



**CABINETS TO FIT YOUR SCS
INSTALLATIONS** AND YOUR BUDGET

**2020
EDITION**

GLOBAL SPECIALIST IN ELECTRICAL
AND DIGITAL BUILDING INFRASTRUCTURES

 **legrand**[®]

LINKEO

19" cabinets

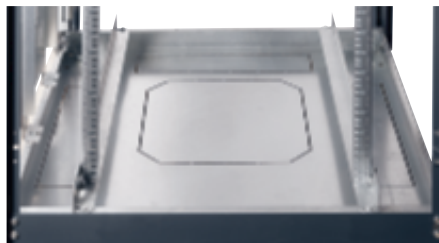
A complete solution
for commercial sector
requirements

The new LINKEO 19" cabinets have been designed to be easy to install and totally functional. With the wide range of accessories that can be used with LINKEO cabinets, you have the benefit of a complete offer to meet the requirements of all your projects.





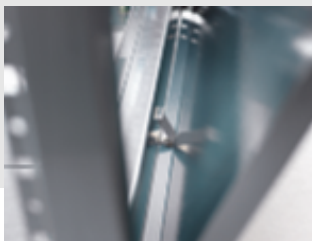
1 19" uprights with U marking and adjustable depth



2 Pre-cut top and bottom cable entries
Cut-out in the roof for fan kits



3 All-glass door (reversible) which is screen-printed for a neat and attractive appearance



4 Removable side and rear panels with automatic earthing



5 Vertical cable tray (side and rear mounting) and optional PDU support



- Equipped with levelling feet
- Can be linked using a baying kit
- 2 delivery options:
ready-assembled or flatpack

Linkeo 19" freestanding cabinets

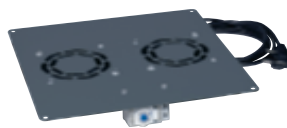
cabinets and equipment



6 467 64



6 464 03



6 464 30

Technical characteristics p. 10

Pack	Cat.Nos		Linkeo 19" cabinets			
			IP 20 – IK 08 baying cabinets Reversible flat screen-printed safety glass door Removable side and rear panels with automatic equipotential bonding All 4 sides can be locked with a key Equipped with 2 x 19" uprights with U marking and adjustable depth Pre-cut cable entries (top and bottom) To be fitted with brush cable entry Cat. No 6 464 28 Cut-out at the top for fan kit Equipped with levelling feet Loading capacity: 400 kg Anthracite grey RAL 7016			
			Single front door			
	Ready-assembled	Flatpack	Capacity	Height (mm)	Width (mm)	Depth (mm)
1	6 467 50	6 467 75	24U	1226	600	600
1	6 467 51	6 467 76	24U	1226	800	800
1	6 467 55	6 467 80	33U	1626	600	600
1	6 467 56	6 467 81	33U	1626	800	800
1	6 467 60	6 467 85	42U	2026	600	600
1	6 467 61	6 467 86	42U	2026	600	800
1	6 467 62	6 467 87	42U	2026	600	1000
1	6 467 63	6 467 88	42U	2026	800	600
1	6 467 64	6 467 89	42U	2026	800	800
1	6 467 65	6 467 90	42U	2026	800	1000
1	6 467 73	6 467 98	47U	2248	800	800
1	6 467 74	6 467 99	47U	2248	800	1000
			Extension cabinet with single front door			
			No side panels Supplied with baying kit			
1	6 467 70	6 467 95	Capacity	Height (mm)	Width (mm)	Depth (mm)
			42U	2026	800	800
			Double front door			
			Capacity	Height (mm)	Width (mm)	Depth (mm)
1	6 467 66		42U	2026	800	600
1	6 467 67		42U	2026	800	800
1	6 467 68		42U	2026	800	1000
			Linkeo baying kits			
1	6 463 37		For joining 2 x Linkeo 19" cabinets			
			Linkeo 19" uprights			
1	6 463 40		Set of 2 additional 19" uprights			
1	6 463 41		24U			
1	6 463 42		33U			
1	6 463 43		42U			

Pack	Cat.Nos	Linkeo plinths	
		Metal plinths consisting of 4 corner blocks and 4 removable solid traps Height 100 mm Anthracite grey RAL 7016 For cabinets width x depth (mm):	
1	6 464 00	600 x 600	
1	6 464 01	600 x 800 or 800 x 600	
1	6 464 02	600 x 1000	
1	6 464 03	800 x 800	
1	6 464 04	800 x 1000	
		Casters	
1	0 464 82	Set of 4 pivoting casters, 2 of which have brakes Total permissible load on the 4 casters: 500 kg	
		Linkeo fan kits	
		Integrated thermostat, adjustable from -10 to +80°C 2.5 m power supply cord with 2P+E plug, 230 V~. Anthracite grey RAL 7016	
1	6 464 30	2 fans	
1	6 464 31	4 fans	
		Linkeo cable management	
		Brush cable entry	
		To fit on top and bottom pre-cut cable entries	
1	6 464 28	Set of brush seals	
		Vertical cable trays	
		Side or rear mounting on structure	
1	6 464 20	For 33U cabinet	
1	6 464 21	For 42U cabinet	
1	6 464 22	For 47U cabinet	
		Cable management ring	
		For cabinet width 800 mm. Fixes onto 19" uprights.	
		Usable dim.: 65 x 145 mm. Black RAL 9005	
1	6 464 25	Set of 6 metal rings	
		Vertical cable managers	
		For cabinet width 800 mm	
		Set of 2 vertical panels to manage cords at the front along the whole height of the cabinet with brush feedthroughs and fingers for holding cords in place every 1U	
1	6 464 26	For 42U cabinets	
1	6 464 27	For 47U cabinets	
		PDU support	
		Mounted at the back of the cabinet	
		For vertical mounting of 19" and Zero-U PDUs	
1	6 464 15	For 42U cabinets	
1	6 464 16	For 47U cabinets	



For overall cabinet dimensions, see p.10 to 15

Linkeo 19" freestanding cabinets

cabinets and equipment (continued)



6 465 06



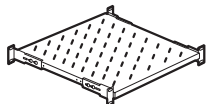
6 465 01



6 465 20

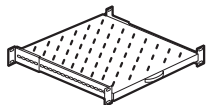
Linkeo fixed shelves

Pack	Cat.Nos	Description
		Black RAL 9005 Screw fixing
		Projecting mounting on 2 x 19" uprights Height 2U. Max. load: 15 kg
1	6 465 01	Shelf depth 200 mm
1	6 465 02	Shelf depth 360 mm
		Mounting on 4 x 19" uprights Height 1U
		Max. load: 50 kg
1	6 465 05	Shelf depth 425 mm For depth 600 mm
1	6 465 06	Shelf depth 625 mm For depth 800 mm
1	6 465 07	Shelf depth 825 mm For depth 1000 mm



Linkeo telescopic shelves

		Screw fixing on 4 x 19" uprights. Height 1U Max. load: 30 kg. Black RAL 9005
1	6 465 08	Shelf depth 425 mm For depth 600 mm
1	6 465 09	Shelf depth 625 mm For depth 800 mm
1	6 465 10	Shelf depth 825 mm For depth 1000 mm



19" management panels

		Fitted with cable guide rings
1	6 465 20	1U
1	6 465 21	2U

Linkeo 19" freestanding cabinets

Flatpack solution

- Easy to carry
- Easy to store
- Easy to handle
- Easy to assemble
 - 16 minutes/1 person
 - dedicated installation sheet

High-protection packaging (stackable)

Note:

- Flatpacked cabinets are exactly the same as ready-assembled ones. The only difference is the packaging.



Made-to-measure solutions

1 Choose the size

Capacity	24U	33U	42U	47U
Width	600 or 800 mm			
Depth	600, 800 or 1000 mm			

2 Choose the colour

3 Choose the openings



Front and rear options

Doors in single- or double-door versions

- screen-printed glass, microperforated metal, solid metal, etc.⁽¹⁾

¹: To discover the full range of possibilities, please contact your Legrand representative.

With or without side panels

4 Choose the equipment to be factory-mounted

- cable managers
- fans
- plinths
- shelves
- fibre and copper patch panels

LINKEO 19"

Wall-mounting cabinets

A full range!
Choose your level of
accessibility inside
the cabinet





▶ Fixed side panels

▶ Removable side panels



19" version

10" version for small business applications



19" version

19" pivoting version

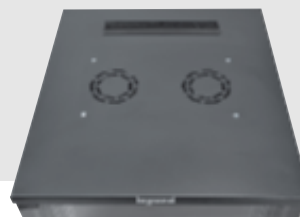
▶ Common features



- Reversible screen-printed safety glass door with integrated lock



- Supplied with 2 x 19" uprights, with adjustable depth and marking of the Us
- Additional 19" uprights as option



- Rear, top and bottom pre-cut cable entries to be equipped with brush (provided with the cabinet)
- Top perforations for natural ventilation (can be equipped with fan kit)



Linkeo 19" and 10" wall-mounting cabinets



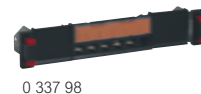
6 462 62



6 462 21



6 462 30



0 337 98



6 468 01



0 462 23

IP 20 - IK 08

Equipped with:

- reversible flat screen-printed safety glass door with integrated lock
- 2 x 19" uprights, with U marking and adjustable in depth
- 3 pre-cut cable entries (top, bottom and rear)

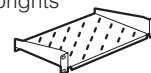
- 1 brush seal for cable entry

- top perforations for natural ventilation

Anthracite grey RAL 7016

Pack	Cat.Nos		Linkeo 19" fixed cabinets			
			Fixed side panels			
			Delivered ready-assembled			
			Side panels with automatic earthing			
	Depth 450 mm	Depth 600 mm	Capacity	Height (mm)	Width (mm)	Loading capacity (kg)
1	6 462 00	6 462 10	6U	359	600	18
1	6 462 01	6 462 11	9U	492	600	27
1	6 462 02	6 462 12	12U	625	600	36
1	6 462 03	6 462 13	15U	759	600	45
1	6 462 04	6 462 14	18U	892	600	54
1	6 462 05	6 462 15	21U	1025	600	63
			Removable side panels			
			For easy access at the side of the cabinet			
			Opening with a lock (same key as the door). Delivered flat-packed. Supplied with earthing kit.			
	Depth 450 mm	Depth 600 mm	Capacity	Height (mm)	Width (mm)	Loading capacity (kg)
1	6 462 50	6 462 60	6U	359	600	18
1	6 462 51	6 462 61	9U	492	600	27
1	6 462 52	6 462 62	12U	625	600	36
1	6 462 53	6 462 63	15U	759	600	45
1	6 462 54	6 462 64	18U	892	600	54
1	6 462 55	6 462 65	21U	1025	600	63

Pack	Cat.Nos	Equipment for 19" cabinets (continued)			
		Linkeo fixed shelves			
		Screw fixing (projecting) on 2 x 19" uprights			
		Height 2U			
		Max. load: 15 kg			
		Black RAL 9005			
1	6 465 01	Shelf depth 200 mm			
		For cabinets depth 400, 450 and 600 mm			
1	6 465 02	Shelf depth 360 mm			
		For cabinets depth 450 and 600 mm			
		19" management panels			
		Fitted with cable guide rings			
1	6 465 20	1U			
1	6 465 21	2U			

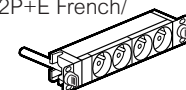


Pack	Cat.Nos		Linkeo 19" pivoting cabinets			
			Consisting of:			
			- plinth (wall fixing), able to take a 19" PDU			
			- pivoting body allowing free access to the rear of the cabinet to facilitate installation and maintenance. Reversible pivoting direction. Delivered ready-assembled.			
			Side panels with automatic earthing			
	Depth 610 mm		Capacity	Height (mm)	Width (mm)	Loading capacity (kg)
1	6 462 21		9U	492	600	27
1	6 462 22		12U	625	600	36
1	6 462 23		15U	759	600	45
1	6 462 24		18U	892	600	54
1	6 462 25		21U	1025	600	63

Pack	Cat.Nos		Equipment for 19" cabinets			
			Linkeo 19" uprights			
			Set of 2 additional 19" uprights			
			For installation at the back of the cabinet.			
1	6 462 42		12U			
1	6 462 43		15U			
1	6 462 44		18U			
1	6 462 45		21U			
			Castors			
			Set of 4 casters for pivoting cabinet			
			Linkeo fan kit			
1	6 462 38		Kit contains:			
			- 2 fans			
			- 1 thermostat			
			- switch			
			Supplied with 2.3 m cable			
			230 V~ - 50/60 Hz power supply			

Pack	Cat.Nos	Linkeo 10" cabinets			
		Compact cabinet, suitable for small business applications			
		Delivered ready-assembled			
		Side panels with automatic earthing			
	Depth 300 mm	Capacity	Height (mm)	Width (mm)	Service load (kg):
1	6 462 30	6U	359	370	18

Pack	Cat.Nos	Equipment for 10" cabinets			
		Flat patch panel with 6 connectors - 1U to be equipped			
		Takes up to 6 Cat. 5e to Cat. 8 RJ 45 connectors			
		10" panel - 1U			
1	0 337 98				
		Flat patch panel with 12 connectors - 1U to be equipped			
		Takes up to 12 Cat. 5e to Cat. 6 _A RJ 45 connectors			
		10" panel - 1U			
1	0 337 99				
		Fixed shelf 1U			
		Depth 120 mm			
		Max. load: 10 kg			
		Black RAL 9005. Supplied with screws and cage nuts			
1	0 462 23				
		Fan			
		2.5 m power supply cable			
		230 V~ fan			
1	0 462 60				
		Thermostat			
		Adjustable from 5 to 60°C, 230 V~, 50/60 Hz			
		NC contact (5 A) and NO contact (10 A)			
		Magnetic mounting			
1	0 348 48				
		10" PDUs (Power Distribution Units)			
		230 V~ - 50/60 Hz power supply.			
		Aluminium case height 1U			
		End caps with metal brackets			
		Integrated cable guide			
		Quick fixing (no screws) on 19" upright			
1	6 468 01	Block of 4 x 2P+E outlets, black, at a 55° angle with safety shutter, German standard			
		1 m power supply cord with 16 A 2P+E French/German plug			
1	6 468 00	Block of 4 x 2P+E sockets, black, at a 55° angle with safety shutter, French standard			
		1 m power supply cord with 16 A 2P+E French/German plug			
1	6 468 98	To be equipped			
		Capacity: 8 Mosaic modules			



For overall cabinet dimensions, see p.10 to 15

Linkeo 19" vertical cabinet



6 462 40

IP20 – IK 08

Compact cabinet, suitable for small business applications or floor distributors

Equipment mounted vertically

Delivered ready-assembled

Equipped with:

- Flat metal door with integrated lock

- 2 x 19" uprights, 3U at the front and 1U at the rear (for mounting the PDU)

- 1 brush seal for top cable entry

- top perforations for natural ventilation

Supplied with earthing kit

Anthracite grey RAL 7016

Pack	Cat.Nos	Linkeo 19" vertical cabinet			
1	6 462 40	Compact cabinet, suitable for small business applications Delivered ready-assembled	Capacity 3U + 1U	Height (mm) 569	Width (mm) 538
Thermal management					
Fan					
1	0 462 60	2.5 m power supply cable 230 V~ fan			
Thermostat					
1	0 348 48	Adjustable from 5 to 60°C, 230 V~, 50/60 Hz NC contact (5 A) and NO contact (10 A) Magnetic mounting			

19" Bati-rack



0 463 96 + 2 x 0 463 97



0 463 97



6 465 01



6 465 20



Technical characteristics p. 15

Pack	Cat.Nos	19" Bati-rack					
		For housing 19" equipment in an air-conditioned, secure, dust-free environment Comprises 2 or 4 x 19" uprights With levelling feet The 4-upright bati-rack takes shelves and fixed runners for cabinets depth 800 mm Delivered flatpacked RAL 7035					
1	0 463 95	Capacity	Height ⁽¹⁾ (mm)	Width (mm)	Depth (mm)	Loading capacity (kg)	Number of uprights
1	0 463 96	42U	1965	550	640	300	2
		42U	1965	550	820	300	4
Cable management sleeve							
		Closed vertical feedthrough Reversible door For fixing on the right or left of 19" uprights RAL 7035					
1	0 463 97	Sleeve					
Roof							
1	0 464 98	Roof for 4-upright bati-rack 535 x 600 mm					
Set of 4 casters							
1	0 464 99	For bati-rack Loading capacity on the 4 casters: 340 kg					
Shelves							
		Black RAL 9005					
		Screw fixing (projecting) on 2 x 19" uprights					
		Height 2U					
		Max. load: 15 kg					
1	6 465 01	Shelf depth 200 mm					
1	6 465 02	Shelf depth 360 mm					
		Screw fixing on 4 x 19" uprights					
		Height 1U					
1	6 465 06	Shelf depth 625 mm. Max. load: 50 kg					
1	6 465 09	Telescopic shelf depth 625 mm. Max. load: 30 kg					
19" management panels							
		Fitted with cable guide rings					
1	6 465 20	1U					
1	6 465 21	2U					



1: Height without levelling feet (+27 to 42 mm with feet)

Linkeo 19" freestanding cabinets

General characteristics

Metal baying cabinets
 RAL 7016 textured polyester coating providing excellent resistance to corrosion and scratching
 Screen-printed reversible single or double glass door
 Protection index against ingress of solid objects and liquids: IP 20
 Protection index against mechanical impacts: IK 08
 Perforations in 19" uprights: 9.5 x 9.5 mm
 Permissible load: 400 kg

Compliance with standards

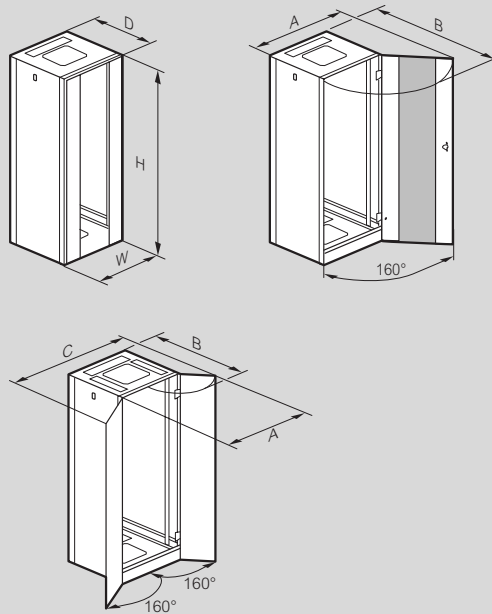
Linkeo cabinets comply with the following standards:

IEC 60529 EN 60529	(NF C 20-010) Degrees of protection provided by enclosures (IP code)
IEC 62262 EN 62262	(NF EN 50102, NF C 20-015) Degrees of protection provided by enclosures for electrical equipment against external mechanical impacts (IK code)
IEC 60950-1 EN 60950-1 C 77-210-1	Safety of data processing equipment
EIA-310-E	Cabinets, racks, panels and associated equipment (ANSI/EIA/310-E-2005)
IEC 60297-3-100 DIN 41414-7	(NF C 20-150, NF C 20-151) Dimensions of mechanical structures of the 482.6 mm (19 in) series

Linkeo cabinets can be integrated in installations complying with the following standards:

EN 50173-1	Information technology - Generic cabling systems
EN 50174-1 & 2 C 90-480-1 & 2	Information technology - Cabling installation
ISO IEC 11801	Information technology - Generic cabling for customer premises
NF C 15-100 Part 4-41	Low voltage electrical installations - recommendations
IEC 60364-4-41	Low voltage electrical installations - Protection for safety - Protection against electric shock

Dimensions (mm)



Cabinets with single front door

Cabinet dimensions	Overall dimensions				
	H ⁽¹⁾	W	D	A	B
24U 600 x 600	1226	610	630	1138	1210
24U 800 x 800		810	830	1525	1610
33U 600 x 600		610	630	1138	1210
33U 800 x 800	1626	810	830	1525	1610
42U 600 x 600		610	630	1138	1210
42U 600 x 800		610	830	1138	1410
42U 600 x 1000	2026	610	1030	1138	1610
42U 800 x 600		810	630	1525	1410
42U 800 x 800		810	830	1525	1610
42U 800 x 1000		810	1030	1525	1810
47U 800 x 800		2248	810	830	1525
47U 800 x 1000	810		1030	1525	1810

1: Height without levelling feet (+19 to 39 mm with feet)

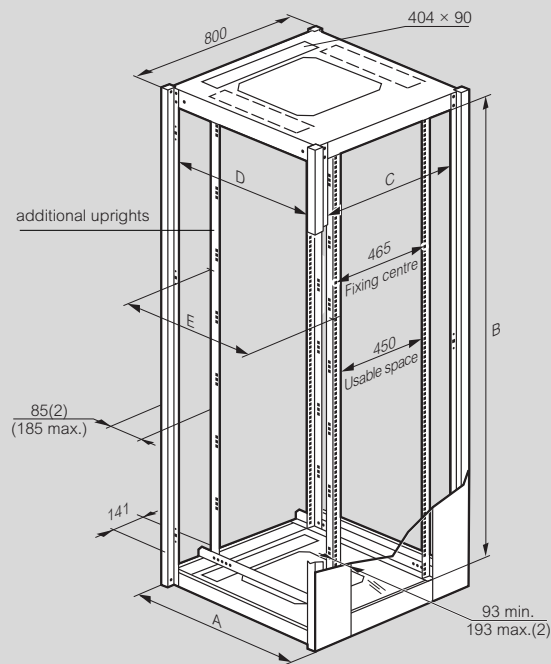
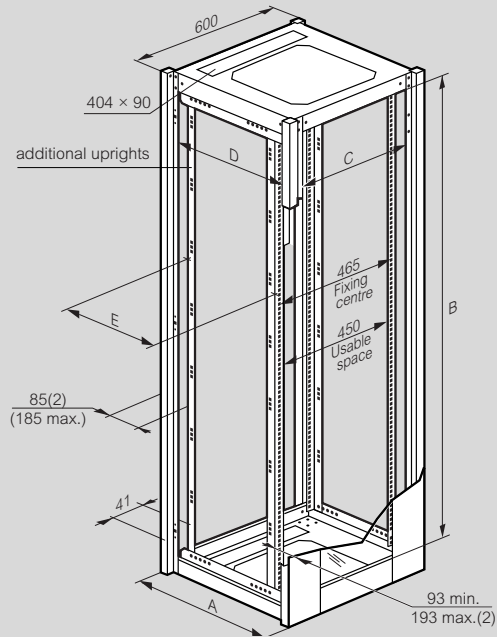
Cabinets with double front door

Cabinet dimensions	H ⁽¹⁾	W	D	A	B	C
42U 800 x 800	2026	810	630	1164	1211	1528
42U 800 x 800			830			
42U 800 x 1000			1030			

1: Height without levelling feet (+19 to 39 mm with feet)

Linkeo 19" freestanding cabinets (continued)

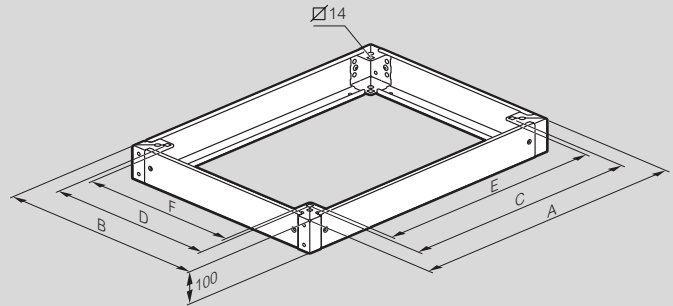
Dimensions (mm)



Cabinet dimensions	A ⁽¹⁾	Usable space			E	Glass window Door
		B	C	D		
24U 600 x 600	630	1081	490	490	425	1073 x 360
24U 800 x 800	830		690	690	625	1073 x 450
33U 600 x 600	630	1481	490	490	425	1473 x 360
33U 800 x 800	830		690	690	625	1473 x 450
42U 600 x 600	630	1881	490	490	425	1873 x 360
42U 600 x 800	830			690	625	
42U 600 x 1000	1030			890	825	
42U 800 x 600	630		690	490	425	1873 x 450
42U 800 x 800	830			690	625	
42U 800 x 1000	1030			890	825	
47U 800 x 800	830	2103	690	690	625	2095 x 450
47U 800 x 1000	1030		690	890	825	2095 x 450

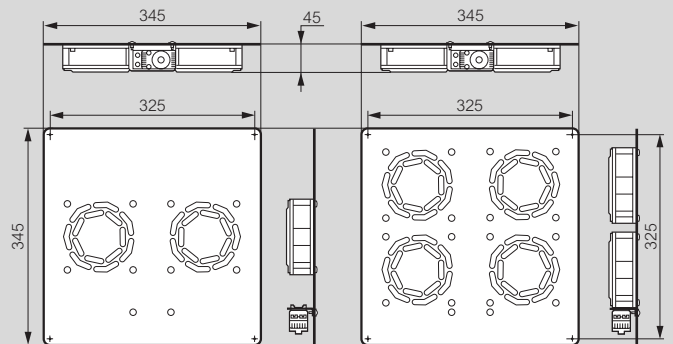
1: Overall dimensions
2: Can be adjusted in 25 mm steps

Plinths for Linkeo cabinets (mm)



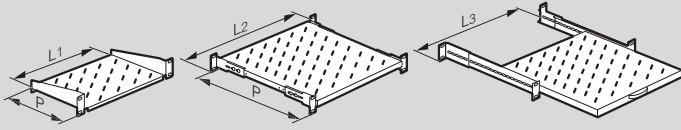
Cabinet dim. Width x Depth	Overall		Fixing		Usable space	
	A	B	C	D	E	F
600 x 600	599	599	478	478	449	449
600 x 800	599	799	478	678	449	649
600 x 1000	799	599	678	478	649	449
800 x 600	799	799	678	678	649	649
800 x 800	599	999	478	878	449	849
800 x 1000	799	999	678	878	649	849

Linkeo fan kits (mm)



Linkeo 19" freestanding cabinets (continued)

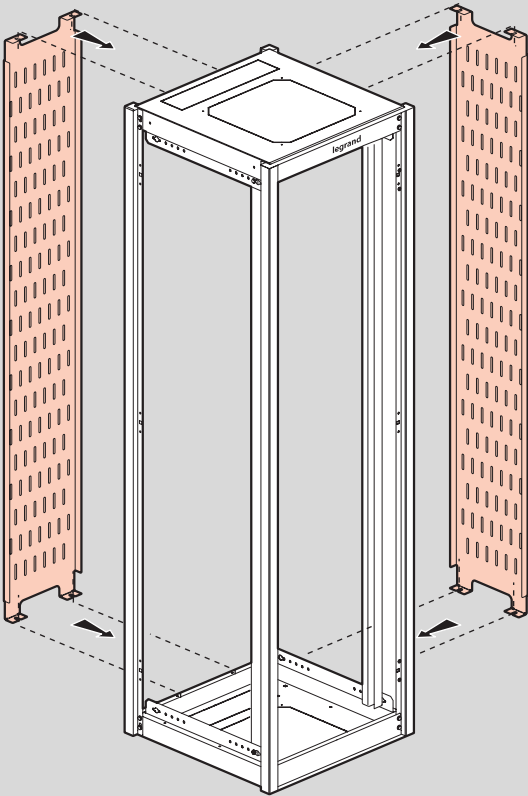
Linkeo shelves (mm)



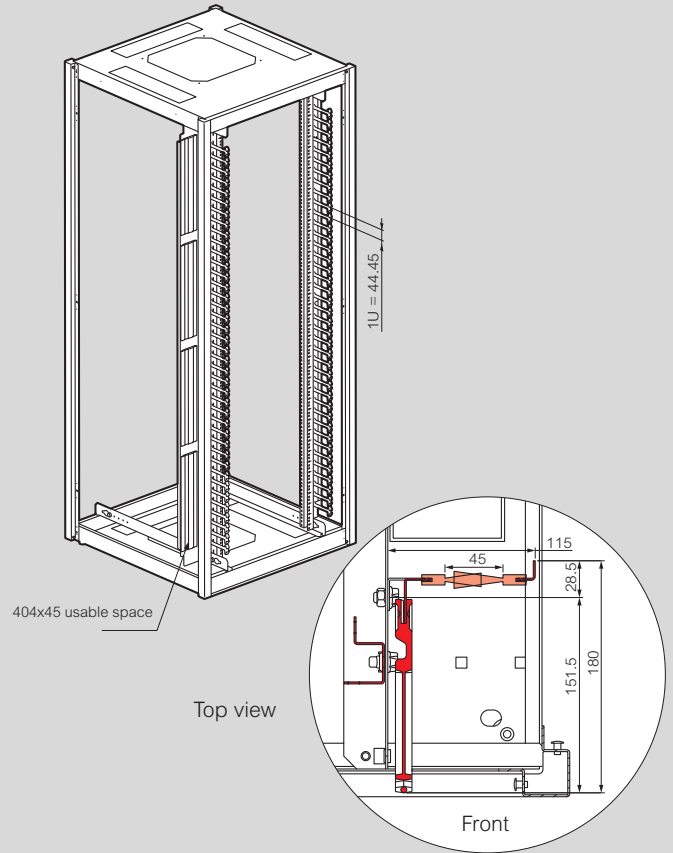
Cat.Nos	D	Usable width		
		W1	W2	W3
6 465 01	200	435		
6 465 02	360	435		
6 465 05	425		440	
6 465 06	625		440	
6 465 07	825		440	
6 465 08	425			410
6 465 09	625			410
6 465 10	825			410

Linkeo vertical cable trays

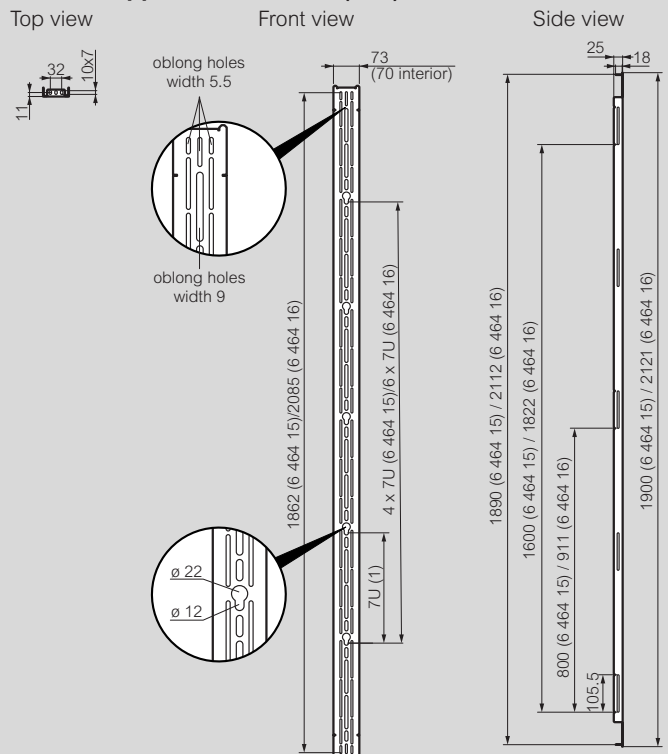
33U tray (6 464 20): 1486 x 300 x 25 mm
 42U tray (6 464 21): 1886 x 300 x 25 mm
 47U tray (6 464 22): 2105 x 300 x 25 mm



Vertical cable managers 6 464 26/27



PDU supports 6 464 15/16 (mm)



Linkeo 19" wall-mounting cabinets

General characteristics

Metal wall-mounting cabinets
RAL 7016 textured polyester coating providing excellent resistance to corrosion and scratching
Safety glass door
Protection index against ingress of solid objects and liquids: IP 20
Protection index against mechanical impacts: IK 08
Perforations in 19" uprights: 9.5 x 9.5 mm
Permissible load: 3 kg/U

Compliance with standards

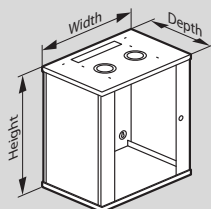
Linkeo cabinets comply with the following standards:

IEC 60529 EN 60529	(NF C 20-010) Degrees of protection provided by enclosures (IP code)
IEC 62262 EN 62262	(EN 50102, NF C 20-015) Degrees of protection provided by enclosures for electrical equipment against external mechanical impacts (code IK)
IEC 60950-1 EN 60950-1 C 77-210-1	Safety of information technology equipment
EIA-310-E	Cabinets, racks, panels and associated equipment (ANSI/EIA-310-D-2005)
IEC 60297-3-100 DIN 41414-7	(NF C 20-150, NF C 20-151) Dimensions of mechanical structures of the 482.6 mm (19 in) series

Linkeo cabinets can be integrated in installations complying with the following standards:

EN 50173-1	Information technology - Generic cabling systems
EN 50174-1 & 2 C 90-480-1 & 2	Information technology - Cabling installation
ISO IEC 11801	Information technology - Generic cabling for customer premises
NF C 15-100 Part 4-41	Low voltage electrical installations - Recommendations
UTE C90-483	Residential cabling for communication networks
IEC 60364-4-41	Low voltage electrical installations - Protection for safety - Protection against electric shock

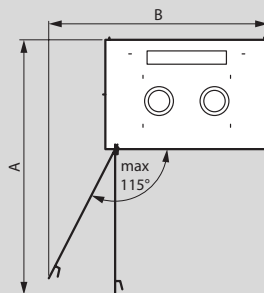
Overall dimensions (mm)



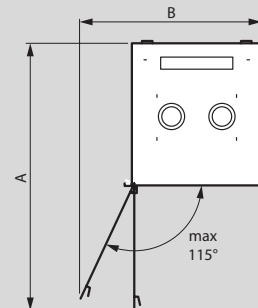
	Cat.Nos	Capacity	Height	Width	Depth	
19" fixed cabinet	fixed side panels	646200	6U	359	605	454
		646201	9U	492	605	454
		646202	12U	625	605	454
		646203	15U	759	605	454
		646204	18U	892	605	454
		646205	21U	1025	605	454
		646210	6U	359	605	604
		646211	9U	492	605	604
		646212	12U	625	605	604
		646213	15U	759	605	604
	646214	18U	892	605	604	
	646215	21U	1025	605	604	
	removable side panels	646250	6U	359	608	458
		646251	9U	492	608	458
		646252	12U	625	608	458
		646253	15U	759	608	458
		646254	18U	892	608	458
		646255	21U	1025	608	458
		646260	6U	359	608	608
		646261	9U	492	608	608
646262		12U	625	608	608	
646263		15U	759	608	608	
19" pivoting cabinets	646221	9U	492	642	615	
	646222	12U	625	642	615	
	646223	15U	759	642	615	
	646224	18U	892	642	615	
	646225	21U	1025	642	615	
10" fixed cabinets	646230	6U	359	373	303	

Door opening (mm)

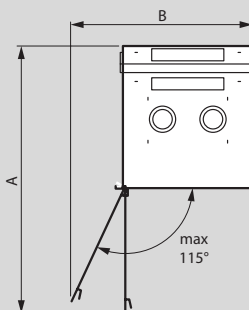
19" fixed cabinets with fixed side panels
Cat.Nos 6 462 00/.../15



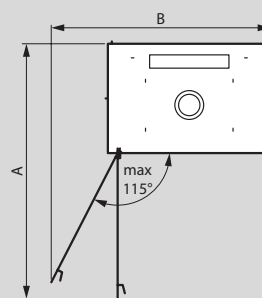
19" fixed cabinets with removable side panels
Cat.Nos 6 462 50/.../65



19" pivoting cabinets
Cat.Nos 6 462 21/.../25



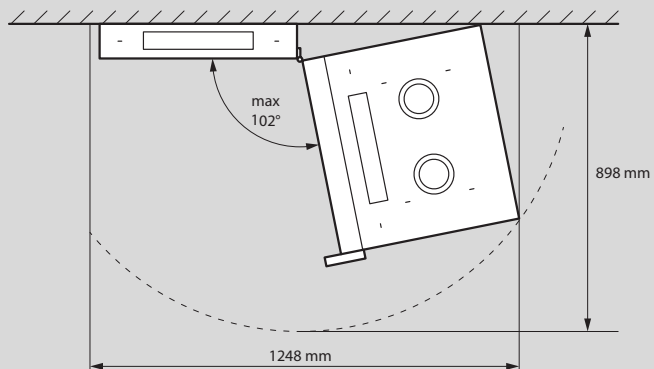
10" cabinet
Cat.No 6 462 30



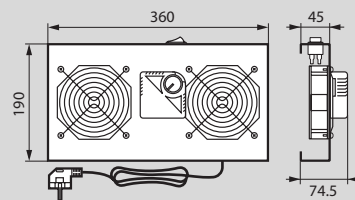
	Cat.Nos	Capacity	A	B	
19" fixed cabinet	fixed side panels	646200	6U	981	795
		646201	9U	981	795
		646202	12U	981	795
		646203	15U	981	795
		646204	18U	981	795
		66205	21U	981	795
		646210	6U	1131	795
		646211	9U	1131	795
		646212	12U	1131	795
		646213	15U	1131	795
	646214	18U	1131	795	
	646215	21U	1131	795	
	removable side panels	646250	6U	983	797
		646251	9U	983	797
		646252	12U	983	797
		646253	15U	983	797
		646254	18U	983	797
		646255	21U	983	797
		646260	6U	1133	797
		646261	9U	1133	797
646262		12U	1133	797	
646263		15U	1133	797	
19" pivoting cabinets	646264	18U	1133	797	
	646265	21U	1133	797	
	646221	9U	1141	809	
	646222	12U	1141	809	
	646223	15U	1141	809	
10" fixed cabinet	646224	18U	1141	809	
	646225	21U	1141	809	
	646230	6U	602	460	

Linkeo 19" wall-mounting cabinets (continued)

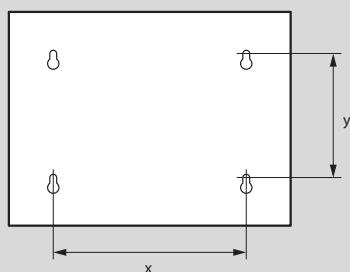
Pivoting base opening



Fan kit (mm)



Fixing (mm)



	Cat.Nos	Capacity	X	Y	
19" fixed cabinet	fixed side panels	6 462 00	6U	400	152
		6 462 01	9U	400	286
		6 462 02	12U	400	419
		6 462 03	15U	400	552
		6 462 04	18U	400	685
		6 462 05	21U	400	819
		6 462 10	6U	400	152
		6 462 11	9U	400	286
		6 462 12	12U	400	419
	removable side panels	6 462 13	15U	400	552
		6 462 14	18U	400	685
		6 462 15	21U	400	819
		6 462 50	6U	400	152
		6 462 51	9U	400	286
		6 462 52	12U	400	419
		6 462 53	15U	400	552
		6 462 54	18U	400	685
		6 462 55	21U	400	819
		6 462 60	6U	400	152
19" pivoting cabinets	6 462 61	9U	400	286	
	6 462 62	12U	400	419	
	6 462 63	15U	400	552	
	6 462 64	18U	400	685	
	6 462 65	21U	400	819	
	6 462 21	9U	400	390	
10" fixed cabinet	6 462 22	12U	400	523	
	6 462 23	15U	400	657	
	6 462 24	18U	400	790	
	6 462 25	21U	400	923	
6 462 30	6U	171	197		

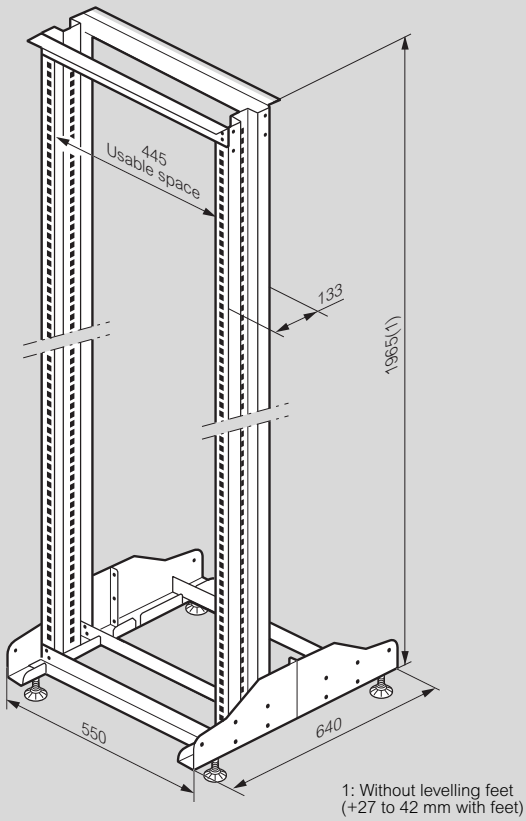
Bati-rack

■ Bati-rack general characteristics

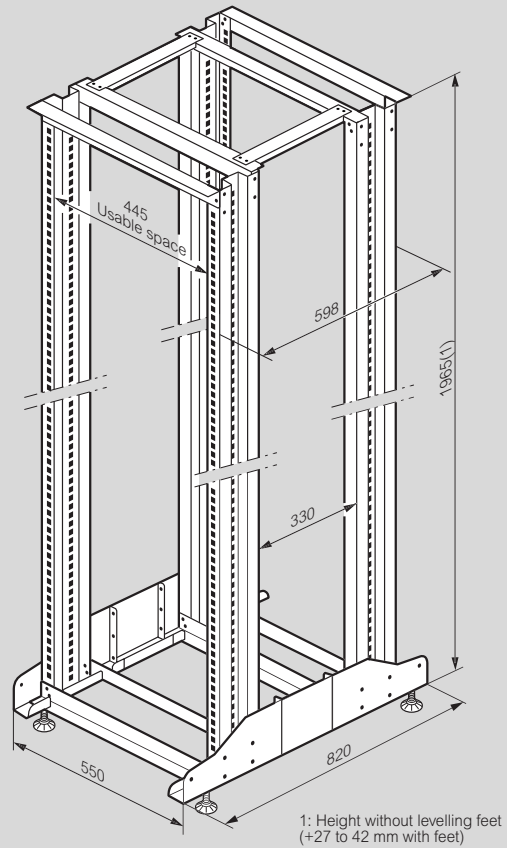
Metal bati-rack
 RAL 7035 textured polyester coating providing excellent resistance to corrosion and scratching
 Perforations in 19" uprights: 9.5 x 9.5mm
 Permissible load: 300 kg

■ Dimensions (mm)

2-upright bati-rack Cat.No 0 463 95








4-upright bati-rack Cat.No 0 463 96





FOLLOW
US ON

- @ legrand.com
-  youtube.com/user/legrand
-  facebook.com/Legrand
-  twitter.com/Legrand
-  pinterest.com/legrandgroup
-  instagram.com/legrandnews



Head Office

128, avenue de Lattre de Tassigny
87 045 Limoges Cedex
France
Tel: +33(0)5 55 06 87 87
Fax: +33(0)5 55 06 88 88