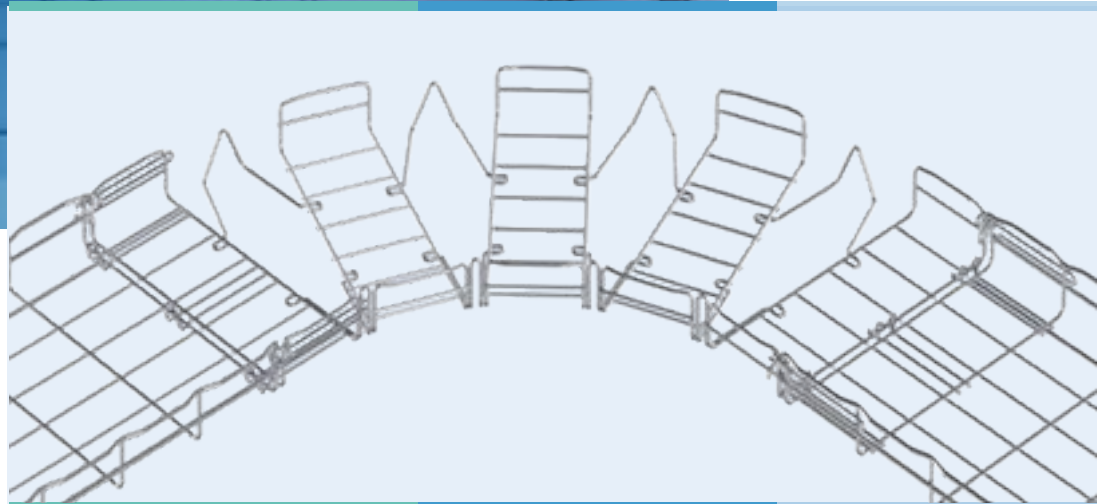


NEW RANGE

# Cablobend

QUICK, SIMPLE AND RELIABLE,  
IT'S SO ADAPTABLE!



ADAPTABLE  
ACCESSORIES WITH  
AUTOMATIC COUPLING








# NEW RANGE CABLOBEND

## ADAPTABLE ACCESSORIES WITH AUTOMATIC COUPLING





A very comprehensive range with 3 heights, widths between 100 and 600 mm, and available in 4 finishes to meet the very specific needs of different types of site. All products in the Cablobend range are compatible with Fasclit+ and CF lengths, and can be mixed within the same installation.



■ **RANGE CHARACTERISTICS**

	<b>CABLOBEND 54</b>	<b>CABLOBEND 105</b>	<b>CABLOBEND 150</b>
	54 mm	105 mm	150 mm
	100 to 600 mm	100 to 600 mm	150 to 600 mm
<b>RAILS</b>			
<b>FINISHES</b>	<b>EZ</b> <b>HR</b> <b>304L</b> <b>316L</b>	<b>EZ</b> <b>HR</b> <b>304L</b>	<b>EZ</b> <b>HR</b> <b>304L</b>

<b>LEGEND</b>	 Zinc electroplating after manufacturing <small>ISO 20-81/82 NF/EN 12-329 DIN 50961</small>	 Zinc-aluminium coating (high corrosion resistance) <small>EN 10244-2</small>	 304L stainless steel <small>NF 10-088-2</small>	 316L stainless steel <small>NF 10-088-2</small>
---------------	---	---	--	--

■ **THE + POINTS OF THE RANGE**



Speed of installation.



Screwless assembly.



Most bends can now be achieved without cutting; a single product which can be adapted to suit the configuration.



T-shaped welded safety edge (patented system) and rounded steel wires for safer installation and pulling of cables.



When on load, electrical continuity is ensured for carbon steel or low-carbon steel products (for widths of more than 100 mm).



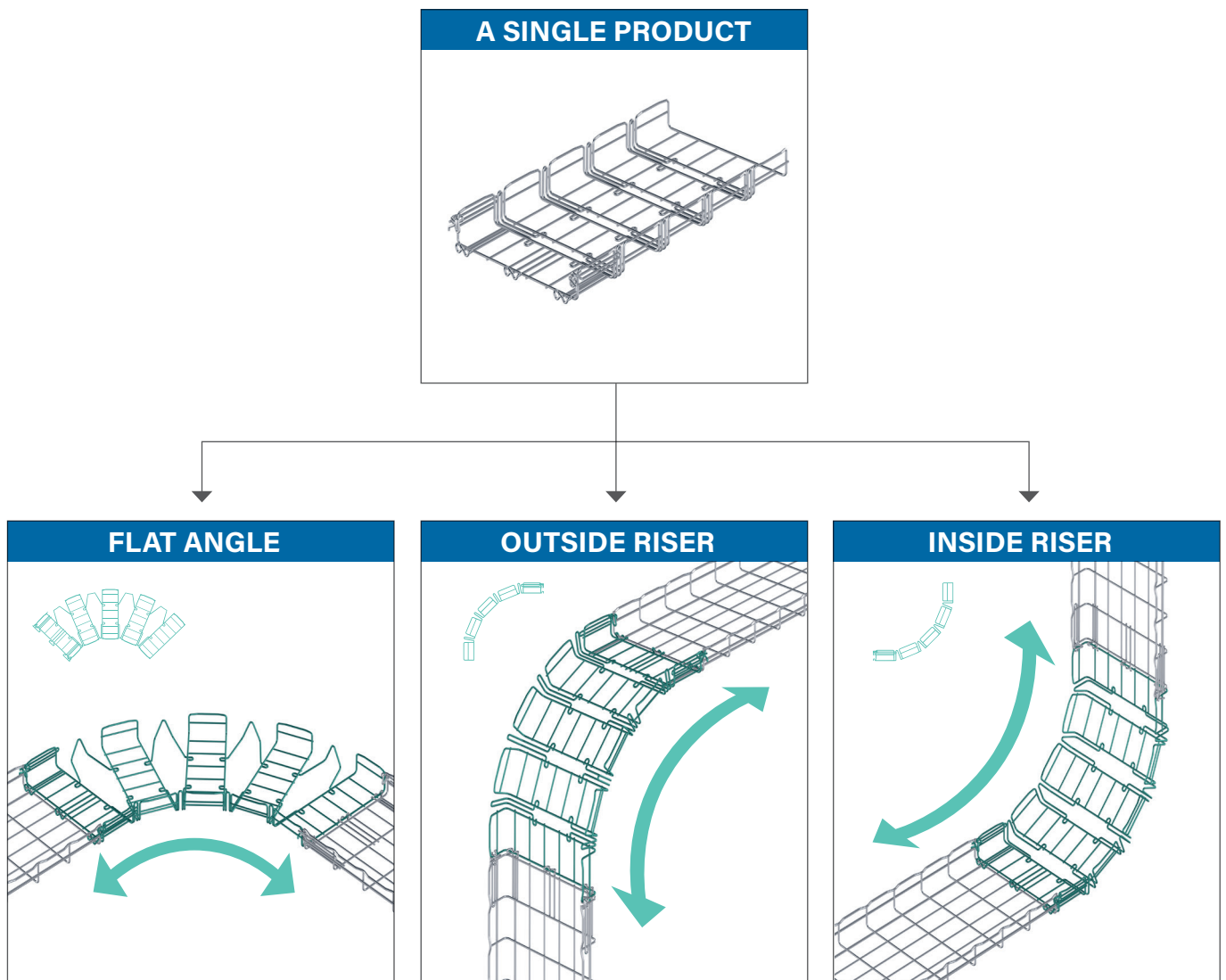
Coupler and lengths designed to minimise retention of dust or liquids, and facilitate cleaning operations (system suitable for the food processing industry).

# ADAPTABILITY YOU CAN RELY ON

## 1 PRODUCT = MULTIPLE CONFIGURATIONS

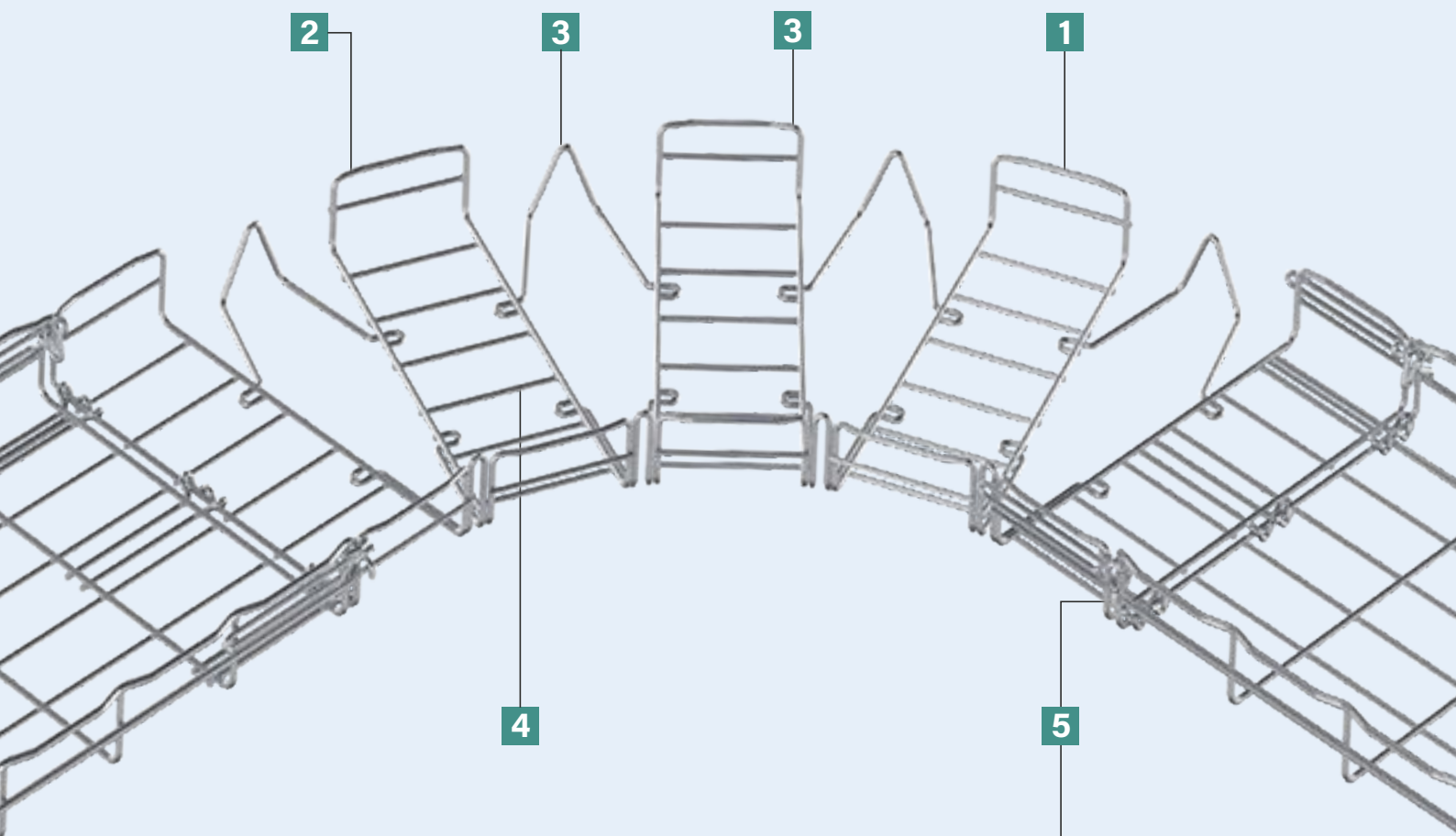
Cablobend is an innovative product which allows you to create changes of direction, effortlessly and without the need for tools. Cablobend can be used in any configuration: flat angles, inside risers or even outside risers. Thanks to Cablobend, you can avoid cutting and wasting material. The integrated couplers allow you to make junctions with Fasclic+ or CF lengths in no time at all, and without any tools.

### ■ A UNIQUE PRODUCT FOR MULTIPLE INSTALLATION VARIANTS



■ **CABLOBEND**

A wealth of advantages ensure quick and easy installation in combination with the Cablofil wiremesh lengths (CF and Fasclis+ ranges).



**1** Cablobend accessory 90° bend configuration, no tools needed.



**2** Safe-T-Edge (patented system) for safer installation.



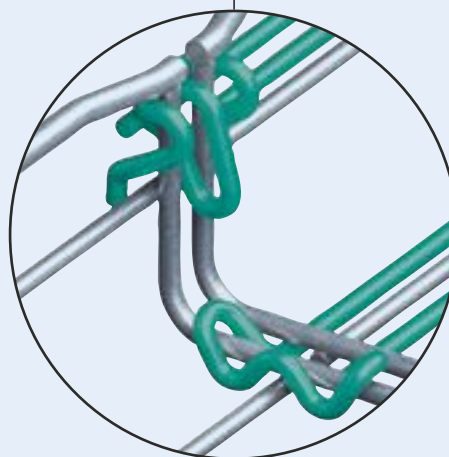
**3** Smooth rounded edges for safer installation and easy pulling and routing of cables.



**4** Same number of wires like the corresponding wiremesh lengths for enhanced strength.



**5** Screwless coupling system, compatible with hygienic design



# QUICK, SIMPLE INSTALLATION

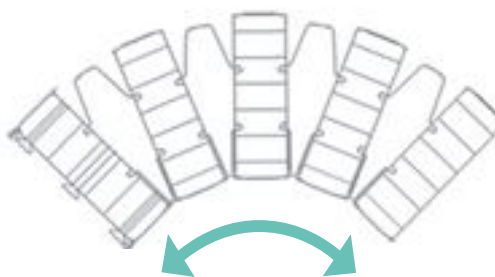
## BESPOKE CONFIGURATIONS WITHOUT ANY TOOLS

The shape of Cablobend accessories can easily be adapted, by hand, without special tools, so that they correspond perfectly to the required site configuration.

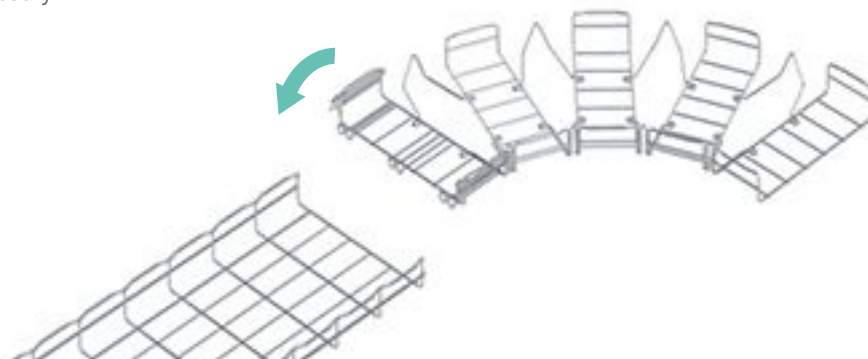
- 1** Cablobend before installation (as supplied).



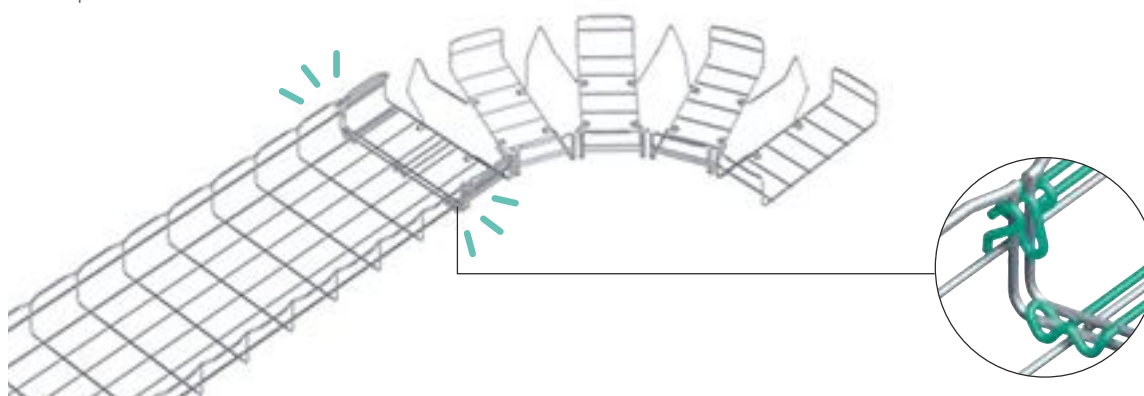
- 2** Cablobend configured without tools, just using your hands, from 90° to 120° flat angle version.



- 3** Positioning Cablofil wiremesh lengths and the hand-configured Cablobend accessory.

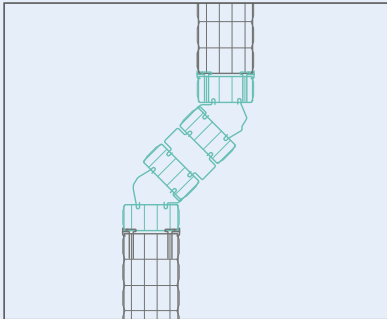


- 4** Coupling with Cablofil wiremesh lengths without additional tools thanks to the integrated couplers.

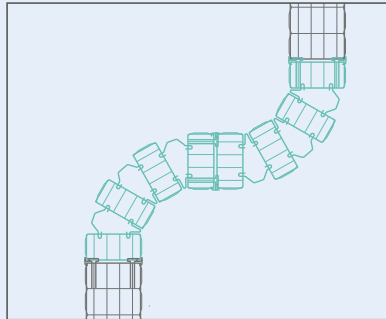


**■ CLEVER CONFIGURATIONS**

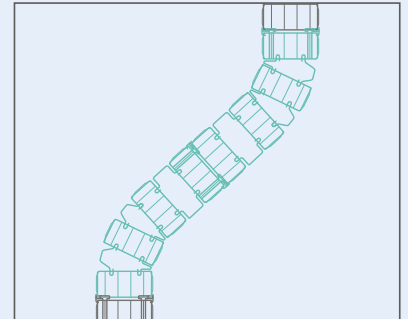
Cablobend can be configured to perfectly fit to the actual conditions of your site. It can be used alone or in combination with a second Cablobend.



Example of configuration with one Cablobend



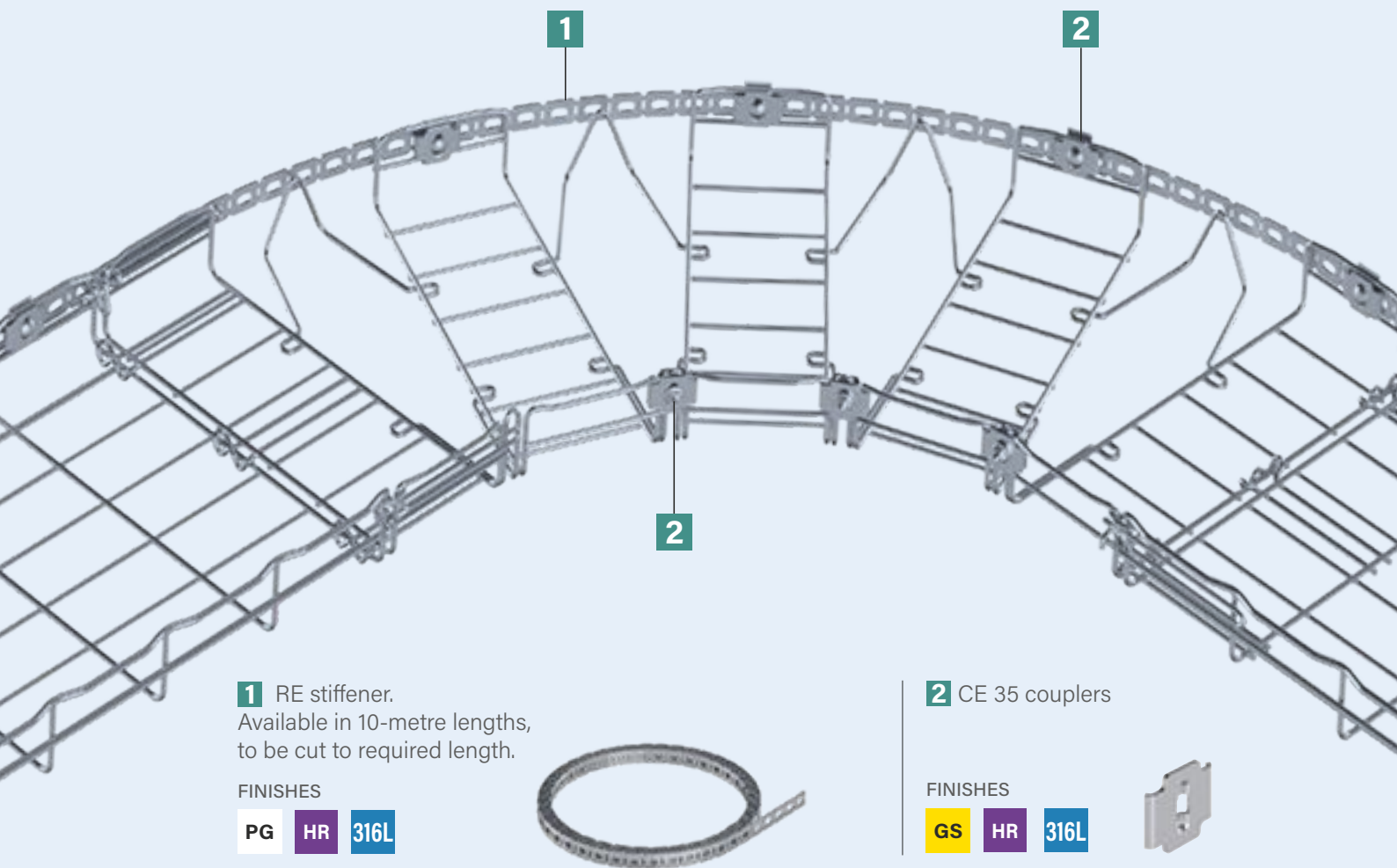
Example of configuration with two Cablobend



Example of configuration with two Cablobend

**■ ENHANCED RIGIDITY**

Some configurations may need greater rigidity. The RE stiffener and CE 35 couplers can help meet this type of requirement. Example of configuration below (for other configurations, please consult Cablofil catalogue or technical sheets).



**1** RE stiffener.  
Available in 10-metre lengths, to be cut to required length.

FINISHES

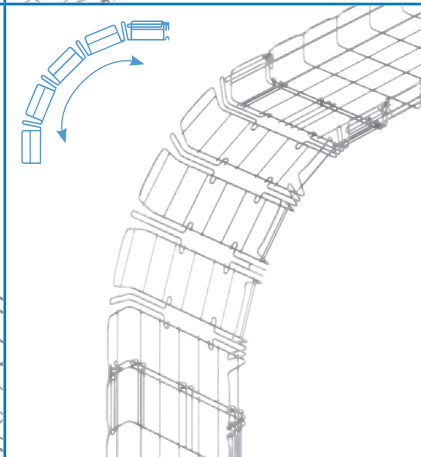
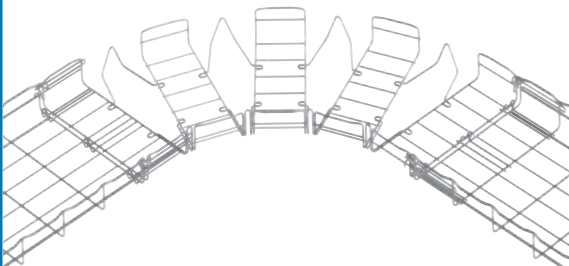
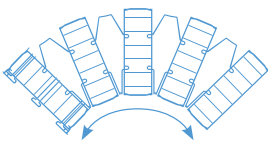
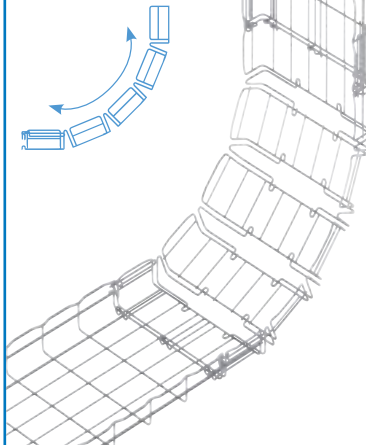
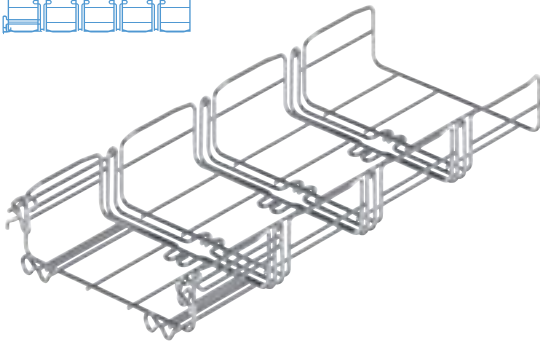
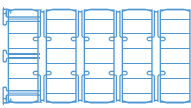
**PG** **HR** **316L**

**2** CE 35 couplers

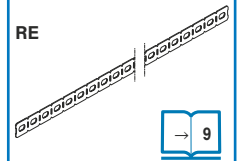
FINISHES

**GS** **HR** **316L**

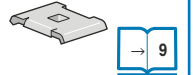
# CBB 54 - CABLOBEND $\curvearrowright$ 100 → 600 mm



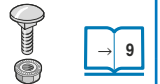
RE



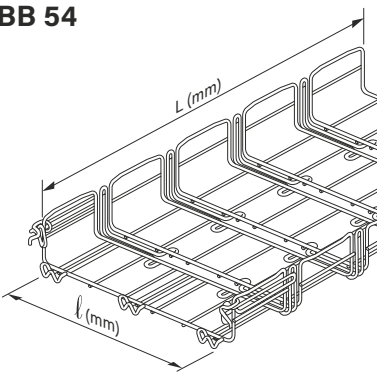
CE 35



BTRCC 6 x 20



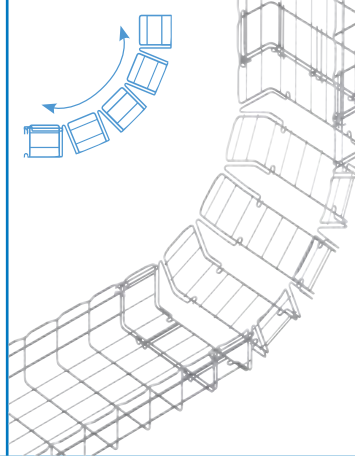
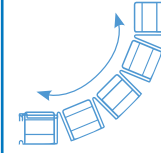
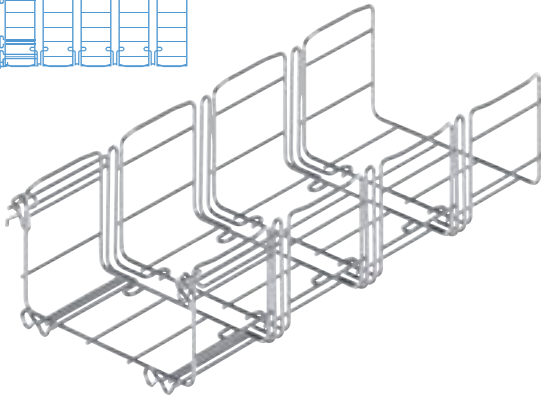
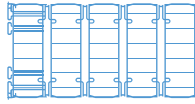
## CBB 54



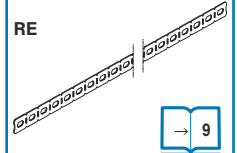
	$l$ mm	$L$ mm	$kg$ kg/m	EZ	HR	304L	316L
CBB 54/100	100	374	0,557	220 071	220 076	220 078	220 074
CBB 54/150	150	501	0,808	220 081	220 086	220 088	220 084
CBB 54/200	200	507	1,038	220 091	220 096	220 098	220 094
CBB 54/300	300	634	1,526	220 101	220 106	220 108	220 104
CBB 54/400	400	768	2,765	220 201	220 206	220 208	220 204
CBB 54/450	450	897	3,408	220 251	220 256	220 258	220 254
CBB 54/500	500	897	3,649	220 301	220 306	220 308	220 304
CBB 54/600	600	1025	4,647	220 401	220 406	220 408	220 404



# CBB 105 - CABLOBEND $\curvearrowright$ 100 $\rightarrow$ 600 mm



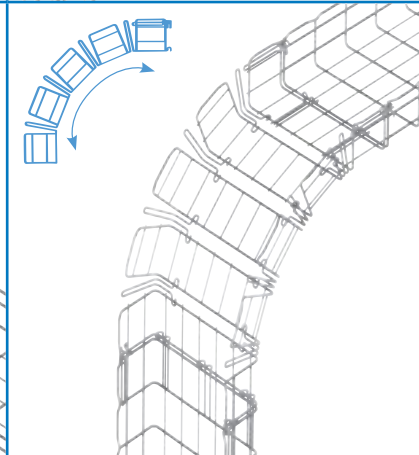
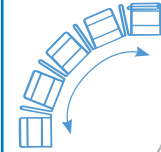
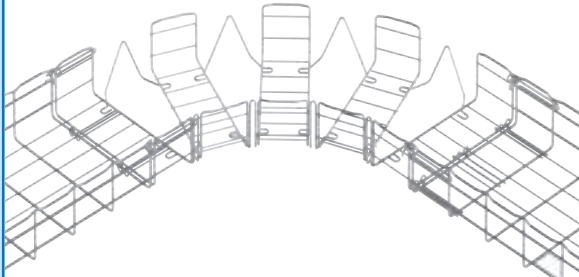
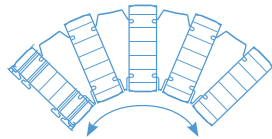
RE



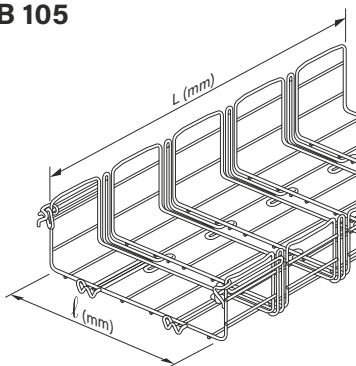
CE 35



BTRCC 6 x 20

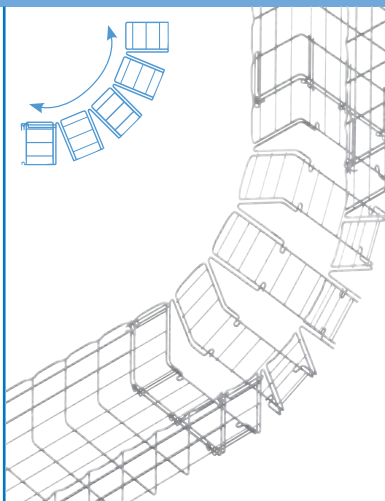
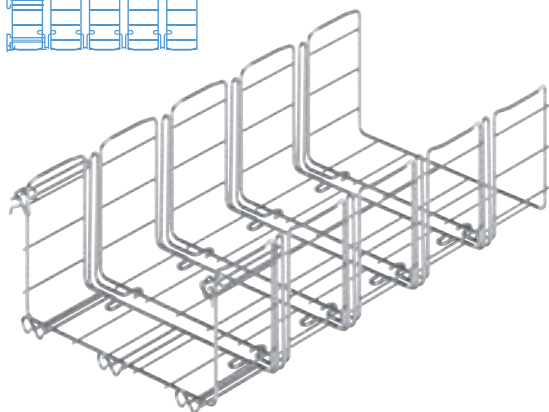


## CBB 105

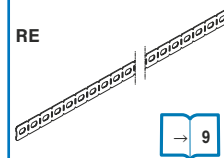


	$l$ mm	$L$ mm	$kg$ kg/m	EZ	HR	304L	316L
CBB 105/100	100	379	0,794	220 891	220 896	220 898	-
CBB 105/150	150	507	1,088	220 901	220 906	220 908	-
CBB 105/200	200	507	1,21	220 911	220 916	220 918	-
CBB 105/300	300	640	2,28	220 921	220 926	220 928	-
CBB 105/400	400	768	3,107	220 931	220 936	220 938	-
CBB 105/450	450	897	3,807	221 931	221 936	221 938	-
CBB 105/500	500	897	4,003	220 941	220 946	220 948	-
CBB 105/600	600	1025	5,058	221 031	221 036	221 038	-

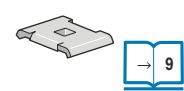
# CBB 150 - CABLOBEND $\curvearrowright$ 150 $\rightarrow$ 600 mm



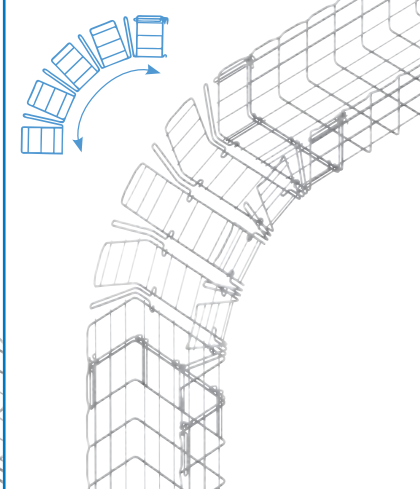
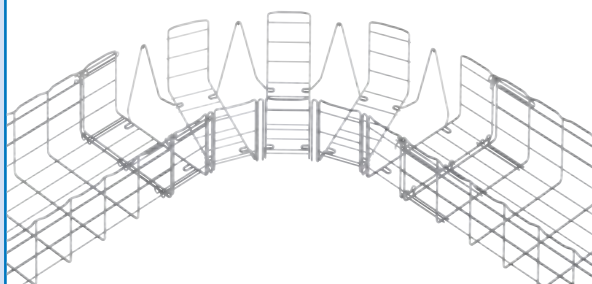
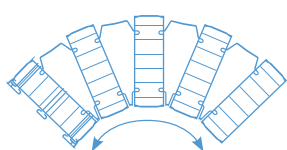
RE



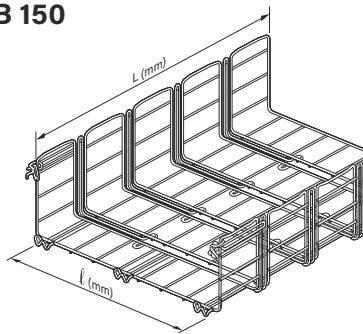
CE 35



BTRCC 6 x 20

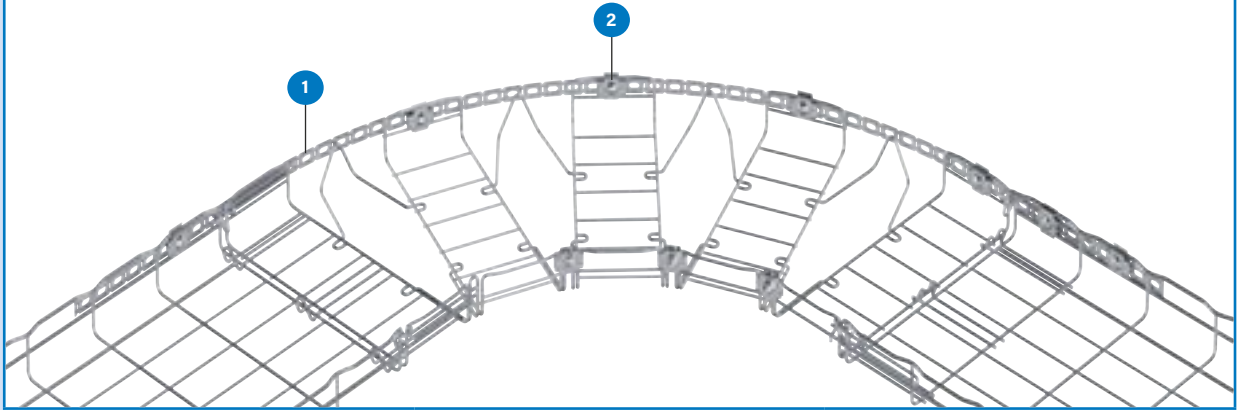


## CBB 150



	$l$ mm	$L$ mm	kg/m	EZ	HR	304L	316L
CBB 150/150	150	511	1,552	220 981	220 986	220 988	-
CBB 150/200	200	511	2,044	220 951	220 956	220 958	-
CBB 150/300	300	640	2882	220 961	220 966	220 968	-
CBB 150/400	400	768	3,789	220 971	220 976	220 978	-
CBB 150/450	450	897	4,614	221 011	221 016	221 018	-
CBB 150/500	500	897	4,855	221 021	221 026	221 028	-
CBB 150/600	600	1025	6,035	221 041	221 046	221 048	-

RE  CBB 54 - CBB 105 - CBB 150  100 → 600 mm



RE

1

RE

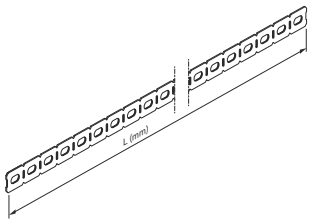
1

CE 35

2



RE



RE

$\frac{L}{m}$

10

 kg/m

1,92/1,95\*\*

PG

350 461

HR

350 466

304L

-

316L

350 464

CE 35



CE 35



50

Ø

-

EZ

558 180

558 187

-

558 184

BTRCC 6 x 20



BTRCC 6 x 20

100/50\*

6

801 011

350 402

801 018

801 014

\* HR

\*\* 316L



---

**International customer service**  
1 Route de Semur  
21500 MONTBARD - France

[www.cablofil.com](http://www.cablofil.com)

A brand of  **legrand**